

**INSTALLATION
INSTRUCTIONS**

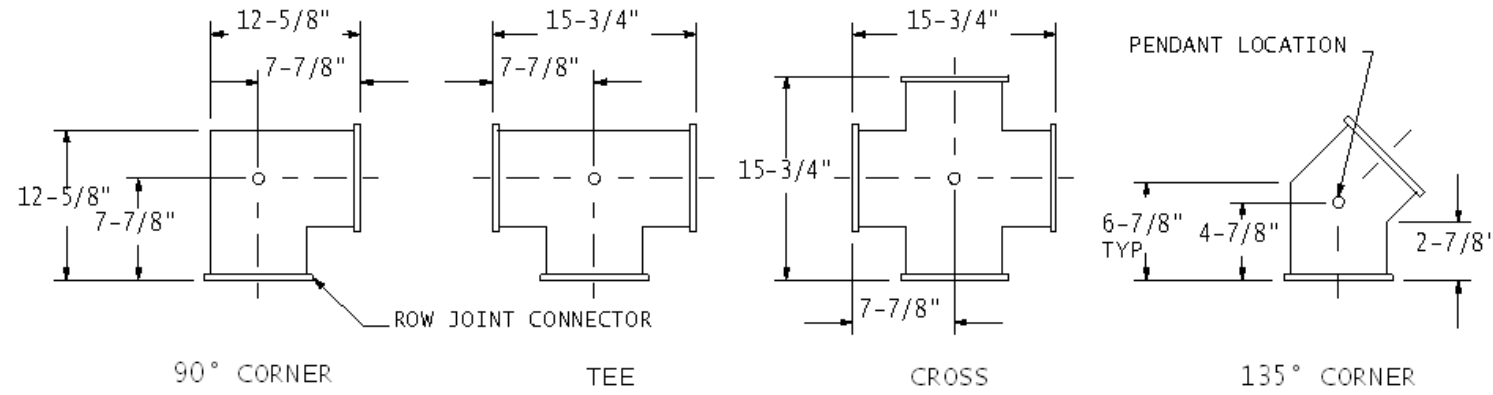
FIXTURE TYPE _____

**PI/PID5900 SYSTEM
CONNECTORS**

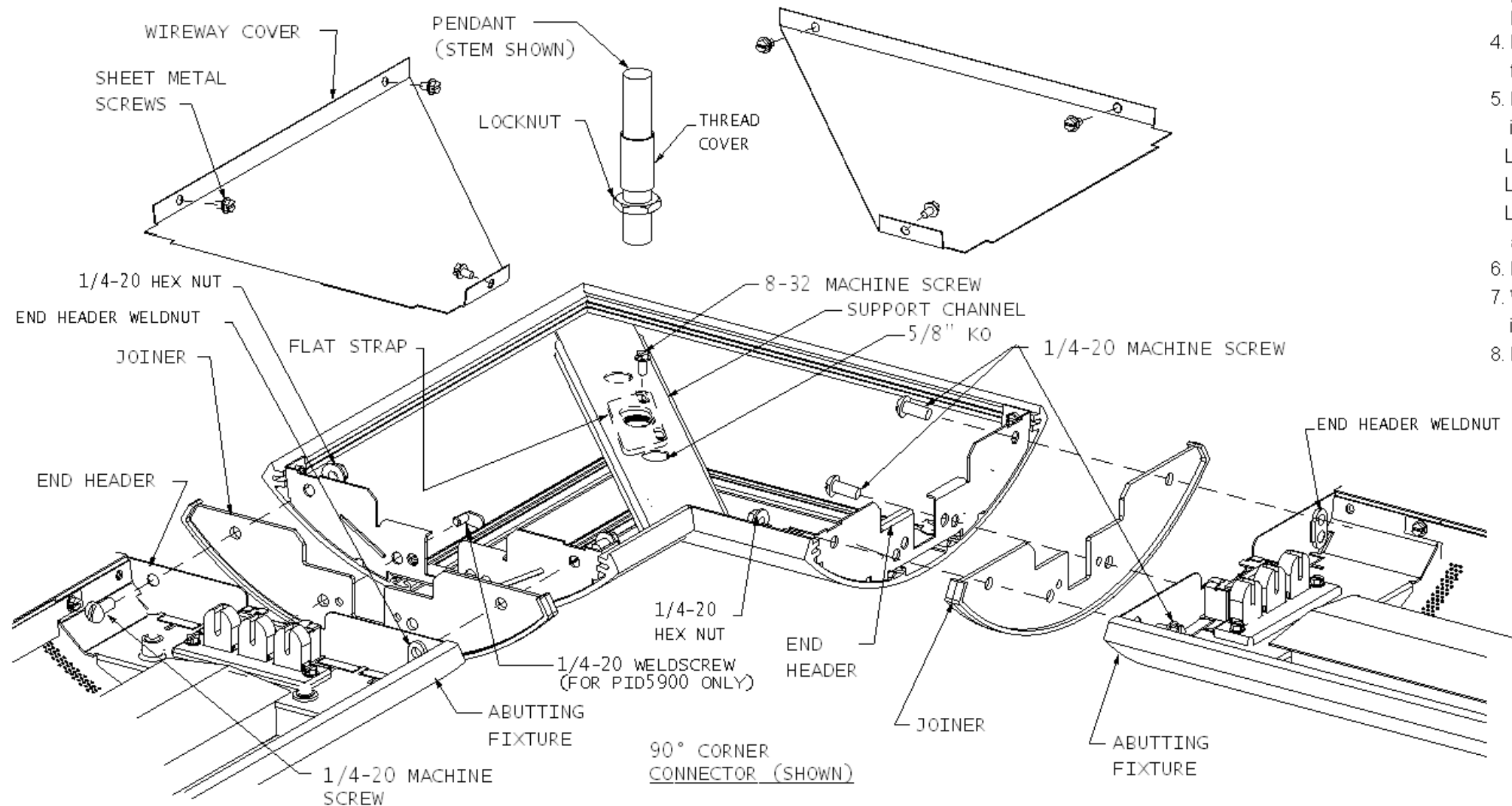
P/C 510408-2000

PG. 1 OF 1

DO NOT MODIFY OR ALTER THIS PRODUCT IN ANY WAY, OR INSTALL IN ANY FASHION WHICH IS CONTRARY TO THE INSTRUCTIONS CONTAINED HEREIN. IF YOU HAVE ANY QUESTIONS REGARDING THIS PRODUCT OR THE INSTALLATION OF IT, PLEASE CALL LITECONTROL ENGINEERING AT 781-294-0100.



PLAN VIEWS



GENERAL NOTES:

- 1) This instruction sheet is used with fixture instruction sheets 510404 or 510480.
- 2) Although the 90° corner is shown on this sheet, installation of all the System Connectors is similar.
- 3) Litecontrol recommends that a System Connector and a Joiner be assembled to an abutting fixture before attaching to pendants.

Instructions:

1. Lift out Wireway Covers by removing sheet metal screws.
2. Mount a Flat Strap underneath the support channel with (1) 8-32 x 3/8" long hex head machine screw.
Remove a 5/8" knockout in channel for wire feed if aircraft cable is used to hang connector. Feed may be run inside stem when it is used.
Slide a Thread Cover and attach a locknut onto pendant; thread pendant into flat strap.
3. Mount a Joiner in between abutting fixture and each end of system connector with (4) 1/4-20 x 1/2" machine screws and hex nuts.
Note: one of the screws will thread into the weldnut on fixture end header. this screw will not need hex nut.

For P-ID-5900 fixtures, use (2) 1/4-20 weldscrews in bottom holes in end headers, inserting studs thru corner header and joiner into fixture end header.
4. Locate pendants in ceiling using the plan views on this sheet and the fixture instruction sheet 510404 or 510480.
5. Mount a Flat Strap to the opposite end of abutting fixture per fixture instruction sheet and thread a pendant into Flat Strap.
Lift this assembly up and attach pendants to ceiling.
Level fixture/connector up or down by loosening pendant locknuts.
Level fixture/connector horizontally by loosening Flat Strap machine screws and sliding straps from side to side.
6. Mount another fixture to each leg(s) of connector per steps above.
7. Wire feed may be brought into abutting fixtures thru the rectangular cutout in the End Headers and Connectors.
8. Replace Wireway Covers and clean exterior surfaces with a window cleaner.