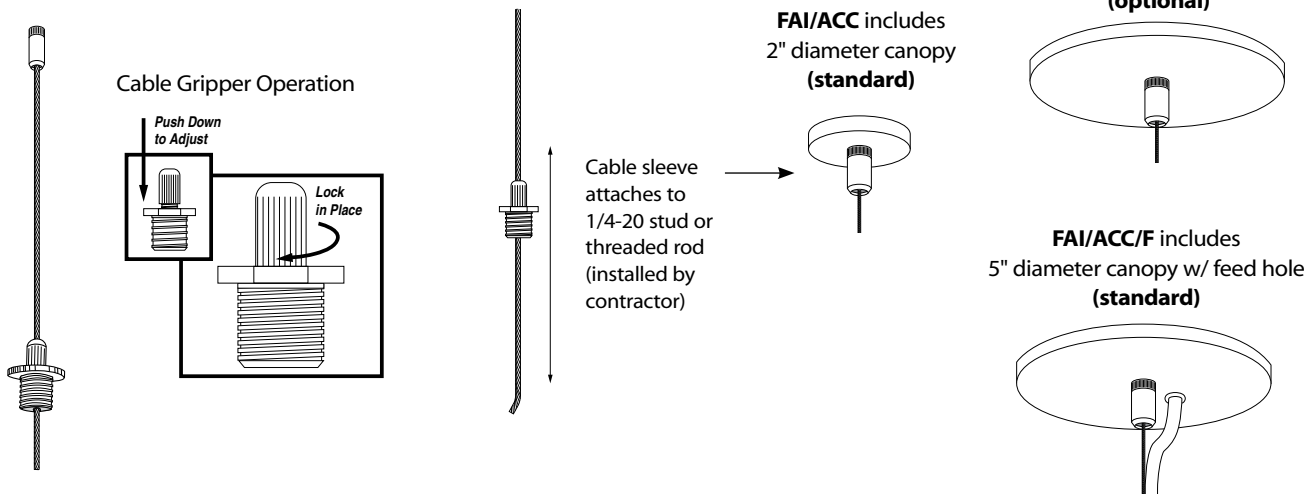


Aircraft Cables

Standard

Standard Length Field Adjustable Aircraft Cables: (FAI/ACC) 51"

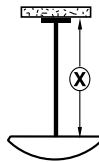
FAI/ACC assemblies with adjustment up to 51" are supplied as standard unless otherwise specified. Lengths of 87" or 219" are available upon request.



Optional

Custom Fixed Length Cables

Custom fixed length aircraft cables may be ordered if required. The ceiling-to-top-of-fixture dimension (X) must be provided.



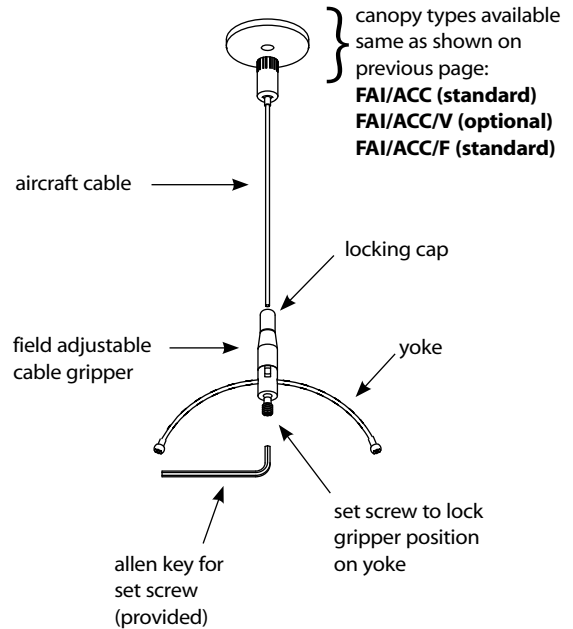
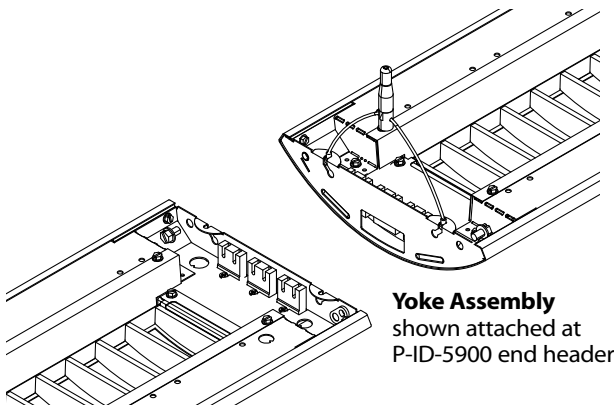
Adjustable Mounting Yoke

Aircraft Cables

For P-ID-5900, P-ID-9800, P-I-0200, P-S/I-0200 and P-ID-0200 only

For these fixtures, a Yoke Assembly is used for attachment of aircraft cable to the fixture. Yoke attaches directly to end header at fixed mounting points. Field adjustable cable gripper is attached to the yoke and receives aircraft cable.

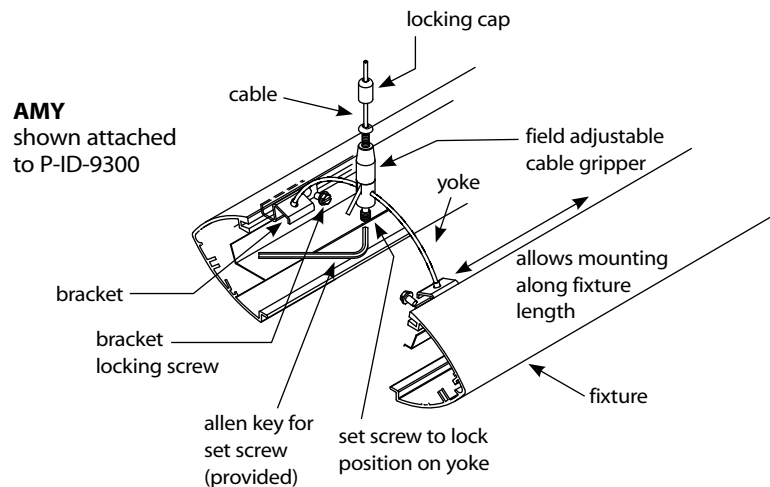
Ordering designation is same as for other field adjustable assemblies: **FAI/ACC**. Assemblies with adjustment up to 51" are supplied as standard. Lengths of 87" or 219" are available upon request.



Adjustable Mounting Yoke (AMY) Option for LC-82, LC-93, and LC-94 only

This Yoke Assembly may be ordered for the three fixture types listed to allow for aircraft cable mounting at various non-feed positions along the fixture. Contact factory for guidance and instructions on support and layout requirements for this option.

Components to this assembly are similar to those described above for the 5900/9800 yoke assembly, except the yoke attaches to brackets which can slide along the housing and be locked in desired position.



Aircraft Cables

Field Adjustable Aircraft Cable

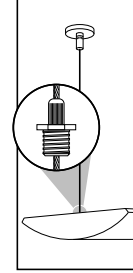
FAI/ACC The standard canopy is FAI/ACC 2" diameter x 1/4" deep, die-formed 24-gauge steel. Paint finish is CWM (Matte White). Sleeve is 1" long, bright nickel-plated steel. Cable is 3/32" (Mod-22xa uses 3/64") diameter, galvanized steel. Before installation, contractor must install a 1/4"-20 stud extending 3/4" below ceiling. Cable gripper mounts to fixture and allows unlimited adjustment along cable. Safety locking cap is included. For power feed to fixtures, use FAI/ACC/F or one of Litecontrol's stem assemblies.

Note: FAI/ACC 51" is standard length unless otherwise specified.

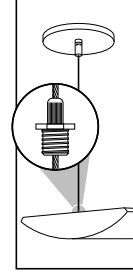
FAI/ACC/V Same as FAI/ACC except: canopy diameter is 5" and support strap is included for installation over outlet box. (optional)

FAI/ACC/F* Same as FAI/ACC/V except: canopy includes an appropriate hole for bushing. An outlet box, flush with ceiling, must be installed by contractor at each FAI/ACC/F location. Assembly will mount to 3 1/2" or 4" octagonal electrical box, 4" x 2 1/8" handy box, or plaster ring with 2 3/4" OC hole spacing.

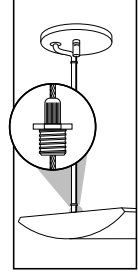
FAI/ACC
(2" diameter canopy)



FAI/ACC/V
(5" diameter canopy)

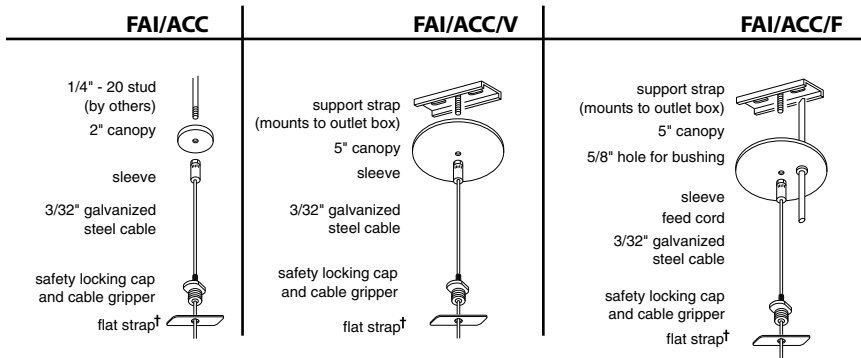


FAI/ACC/F
(5" diameter canopy with feed hole)

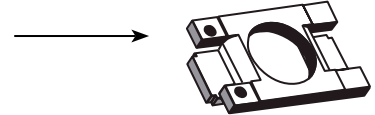


Isometric Views

Note: Configurations shown below do not cover all variations for certain fixtures or applications. Other parts or assemblies may be provided.



† Some products may be provided with a slide-on version of the flat strap.



Cable Assemblies

Cable Assemblies

FAI/ACC (standard) Field adjustable cable assemblies are shipped with factory made ceiling-end-termination and the field adjustable fixture-end cable gripper loosely assembled to cable. Allows contractor to easily set the length. Length ranges available: 6"-51" (standard), 6"-87" (optional), 6"-219" (optional).

Feed Cord*

Straight Flexible Cord. 18/3 or 18/4 (standard), individual conductors are stranded and twisted copper covered by a thermoplastic color-coded insulation. Outer covering is white thermoplastic. Available in bulk only. Total number of linear feet required for entire project determined by Litecontrol. White bushings provided. For options such as Dimming, TW, EF, or combinations of options, or areas with unclear switching information, consult factory to see if our feed cords will accommodate the given conditions and to determine which feed cord should be used.

***The standard feed cord is a straight flexible 18/4. Alternate feed cords are straight flexible cord in 18/3 or coiled cord in 18/3 or 18/4.**

Note: Some local codes may not allow the use of flexible feed cords. Consult your local codes.

SAFETY NOTES

Fixtures in rows must be supported by a minimum of one cable or stem at the junction of two fixtures plus one at each row end. This is considered by Underwriters Laboratories as equivalent to two cables or stems per fixture. The National Electrical Code requires that any fixture weighing over 50 pounds must be supported independently of the outlet box. 16' -24' fixtures require three cables or stems. Do not modify, alter, or install these products in any way that is contrary to Litecontrol's installation instructions.