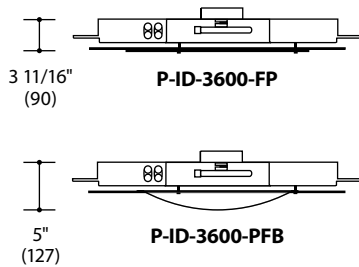




Type:
Project:

Echelon™ P-ID-3600 Suspended Indirect/Direct

Specifications



HOUSING. Bottom housing is 35" in diameter, 16-gauge spun steel, with a 12 1/2" diameter opening in the middle. Recessed upper housing is 20-gauge spun steel.


REFLECTOR. Die-formed specular hammertone aluminum.

TWO INDIRECT/DIRECT VERSIONS. **P-ID-3600** incorporates a 2D direct lamp in the center of the fixture and is available with a choice of two diffusers. **P-ID-3600-FP** has a flat, 1/8" acrylic diffuser (**FP**) between two 1/8" thick aluminum rings, 30 3/4" and 22" diameter respectively. **P-ID-3600-PFB** has a perforated bowl (**PFB**), 20-gauge spun steel, 2" deep, with 5/64" staggered holes, 36% open, supported by the 30 3/4" diameter suspended ring. The perforated bowl assembly includes an acrylic diffusing sheet.

LAMPING. The upright component can accommodate three or six 39-, 40-, 50-, or 55-watt twin-tube compact fluorescent lamps. The optional downlight component can accommodate one 21- or 38-watt 2D lamp.



BALLAST. Electronic Ballast (**ELB**), high power factor, thermally protected Class P, Sound Rated A, manufactured by a UL Listed manufacturer, as available, determined by Litecontrol. The minimum number of ballasts will be used.

SUSPENSION. Each fixture is suspended with one P6S stem (5/8" dia., 3/8" NPT) connected to three aircraft cables with an intermediate retaining plate. The minimum recommended total suspension length is 24".

CERTIFICATION. Fixture and electrical components shall be UL Listed and shall bear the I.B.E.W., A.F. of L. label. 

Note: Litecontrol reserves the right to change specifications without notice for product development and improvement.

Ordering guide

Product, lamping, & length							Options				
P -	ID -	36	3	0	BX39 /	21-2D -	FP -	TCWM -	ELB -	F -	120
Mounting	Distribution	Series	Lamp Count	Nominal Length(ft)	Indirect Lamp Type	Direct Lamp Type	Diffuser	Finish	Ballast	Other options	Volts
P Pendant-Mounted	ID Indirect/Direct	36	3, 6 →	0	BX39 BX40 BX50 BX55	21-2D 38-2D	FP PFB	TCWM (Textured Matte White) is standard see <i>LiteColors™</i> in Product Guide for other finishes	ELB see notes	EF F see Other options	120 277
Cross-sections  Indirect/Direct FP  Indirect/Direct PFB											

SUSPENSION P6S/ACC

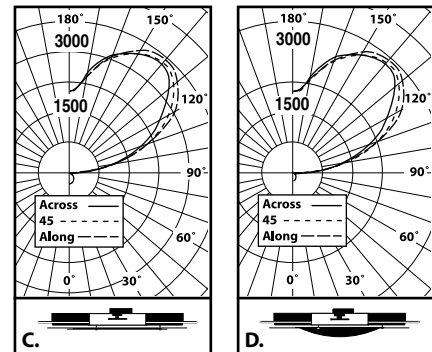
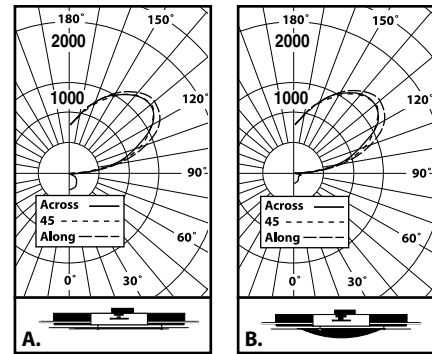
See Planning for Installation for description.
Specify Dimension "X" from ceiling to top of fixture with order.

P-ID-3630BX39/21-2D-FP-TCWM-ELB-F-120-P6S/ACC24" is a typical catalog number for a 3-lamp indirect 39-watt twin-tube compact fluorescent and 1-lamp direct 21-watt 2D compact fluorescent fixture with flat plastic diffuser, Textured Matte White finish, electronic ballast, fuse, 120 volts, and combination stem/cable mounting with 24" suspension.

Questions to Ask

1. 120 or 277 volt? 2. White, *LiteColor*, or special color?
3. Dimension "X": advise length and type of suspension required. 4. Other options?

Photometric data



A. P-ID-3630BX40/21-2D-FP
79.3% Efficiency Indirect/Direct= 89/11
Litecontrol Certified Test Report #26540020

B. P-ID-3630BX40/21-2D-PFB
76.6% Efficiency Indirect/Direct= 93/7
Litecontrol Certified Test Report #26540990

C. P-ID-3660BX40/21-2D-FP
76.2% Efficiency Indirect/Direct= 94/6
Litecontrol Certified Test Report #26670021

D. P-ID-3660BX40/21-2D-PFB
74.8% Efficiency Indirect/Direct= 96/4
Litecontrol Certified Test Report #26670991

For complete photometric information, see website.

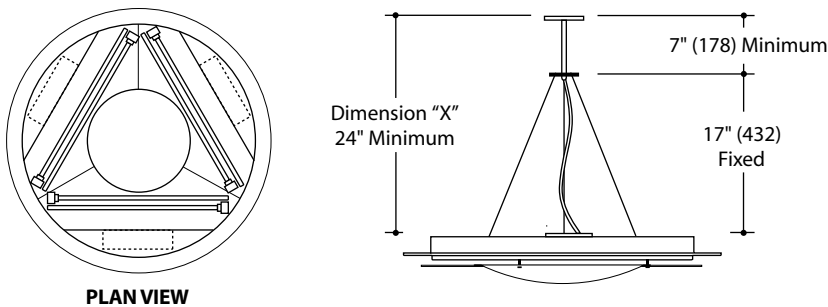
Diffusers (for P-ID versions only)

- FP** Flat Diffuser. White acrylic, 1/8" thick.
- PFB** Perforated Bowl. 18" diameter, 2" deep, 36% open.

Other options

- EF** Emergency Fluorescent Ballast. Battery-powered ballast from a UL Listed manufacturer will operate one twin-tube compact fluorescent lamp for 1 1/2 hours. Some lamping combinations cannot accommodate an EF ballast. Check with factory for availability.
- F** Fuse. Slow or fast blow, determined by Litecontrol.

Planning for installation



PLAN VIEW

SUSPENSION ASSEMBLY & MOUNTING:

P6S/ACC Provided with a combination P6S (5/8" diameter) stem and three-cable (3/32" diameter aircraft cable) assembly. The stem mounts to a 3 1/2" octagonal x 2 1/8" deep outlet box independently supported above the ceiling plane. The outlet box is then covered by a 5" diameter x 1/4" deep canopy (provided).

SUSPENSION LENGTH:

Per the diagram above, specify the dimension "X" for ceiling-to-top-of-fixture suspension length. Standard lengths for dimension "X" available for Echelon are: 24" and 36".

The standard length of the aircraft portion of the suspension is 17", and the stem length will be determined by Litecontrol to complete the specified total suspension dimension "X". The aircraft cable attachments provide vertical adjustment to the overall suspension of about 1". For special suspension requirements, including dimensions "X" other than those listed above, contact factory.

Click on
Quick Find 36



litecontrol.com

LITECONTROL ... an employee owned company

100 Hawks Avenue Hanson MA 02341 781 294 0100 FAX 781 293 2849 info@litecontrol.com litecontrol.com