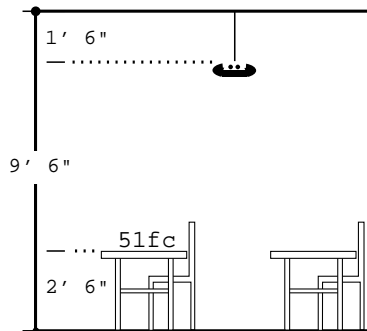


Sample Layouts

Lighting For Classroom Learning



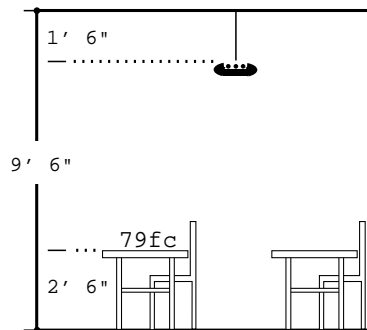
P-ID-93 or P-ID-94 2T8 PBSS
 Efficiency: 88.3%
 Room: 24' x 32' x 9' 6"
 Row Spacing: 12' OC
 Suspension: 18"
 Reflectances: 80/50/20
 Light Loss Factor: .75
 Power Density: .93 W/ft²
 Average Maintained fc: 51



30'	29	32	29	25	29	32	28
27'	42	50	45	37	45	50	42
24'	52	62	56	45	56	62	51
21'	56	67	61	49	61	67	56
18'	57	69	63	51	63	69	57
15'	57	69	63	51	63	69	57
12'	57	68	62	50	62	68	56
9'	54	65	59	47	59	65	54
6'	46	56	50	41	50	56	46
3'	34	40	37	31	37	40	34
	3'	6'	9'	12'	15'	18'	21'



P-ID-93 or P-ID-94 3T8 PBSS
 Efficiency: 89.4%
 Room: 24' x 32' x 9' 6"
 Row Spacing: 12' OC
 Suspension: 18"
 Reflectances: 80/50/20
 Light Loss Factor: .75
 Power Density: 1.36 W/ft²
 Average Maintained fc: 79



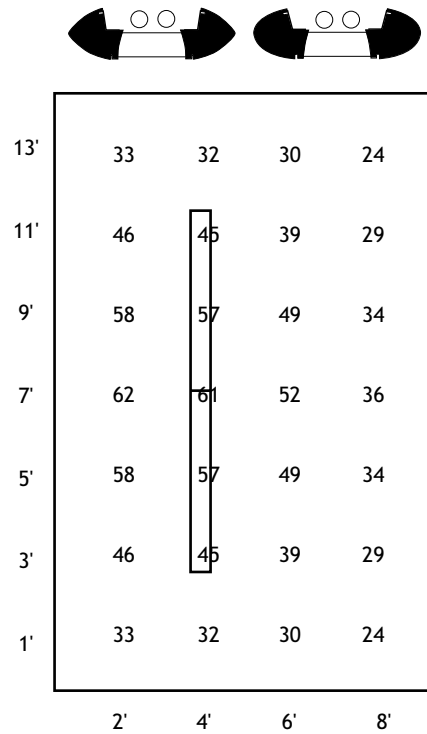
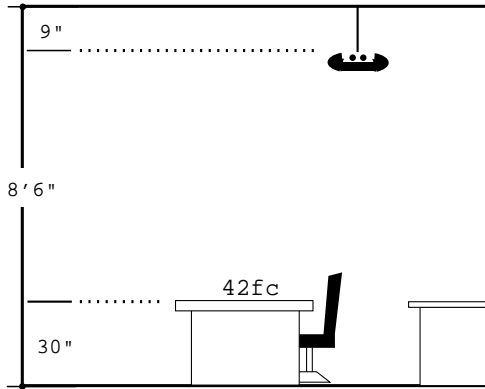
30'	43	51	44	38	44	51	42
27'	62	83	67	55	67	83	62
24'	77	103	84	67	84	103	76
21'	83	111	91	74	91	111	82
18'	85	114	94	77	94	114	85
15'	85	114	94	77	94	114	85
12'	84	113	93	75	93	112	84
9'	80	107	88	71	88	107	79
6'	69	92	75	61	75	92	68
3'	50	65	55	47	55	65	50
	3'	6'	9'	12'	15'	18'	21'

Average Maintained fc at 30" workplane

Sample Layouts

Lighting for Office Productivity

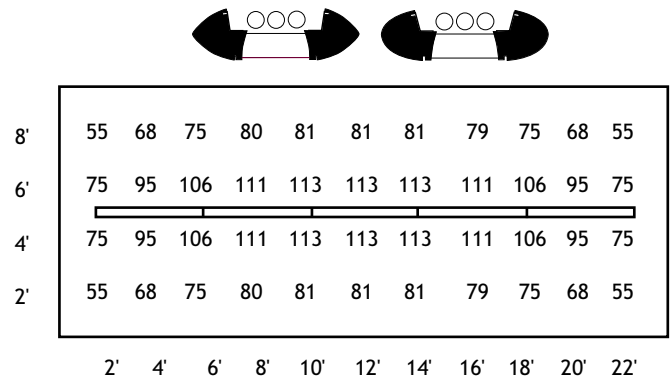
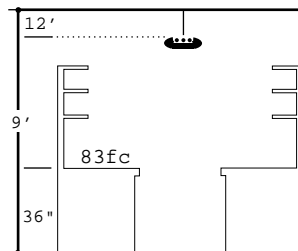
P-ID-93 or P-ID-94 2T8 PBSS
 Efficiency: 88.3%
 Room: 14' x 9' x 8' 6"
 Row Position: 3' 6' from wall
 Suspension: 9"
 Reflectances: 80/50/20
 Light Loss Factor: .75
 Power Density: 0.94 W/ft²
 Average Maintained fc: 42



Average Maintained fc at 30" workplane

Lighting For Laboratory Research

P-ID-93 or P-ID-94 3T8 PBSS
 Efficiency: 89.4%
 Room: 24' x 10' x 9'
 Row Position: Centered
 Suspension: 12"
 Reflectances: 80/50/20
 Light Loss Factor: .75
 Power Density: 1.81 W/ft²
 Average Maintained fc: 83



Average Maintained fc at 36" workplane