

**INSTALLATION INSTRUCTIONS**

FIXTURE TYPE \_\_\_\_\_

**FIXTURE W-AI-5600**

P/C **510343-3000**

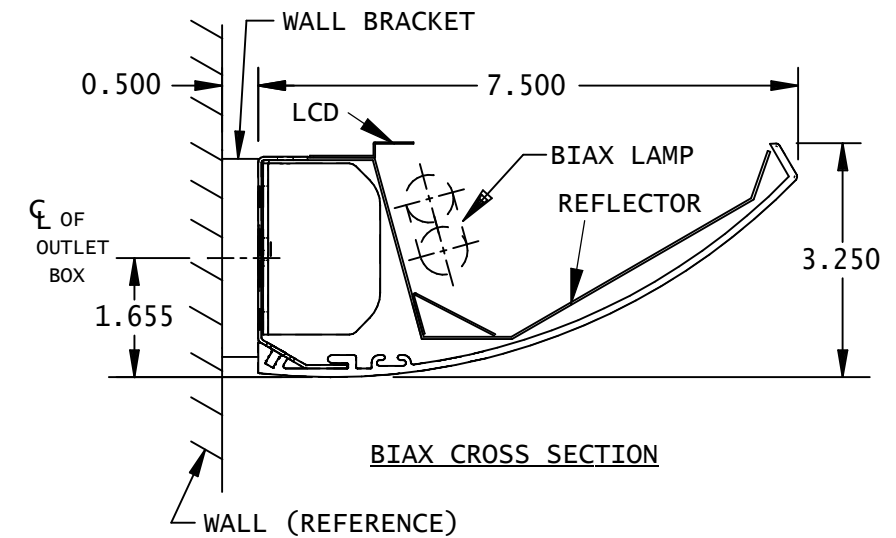
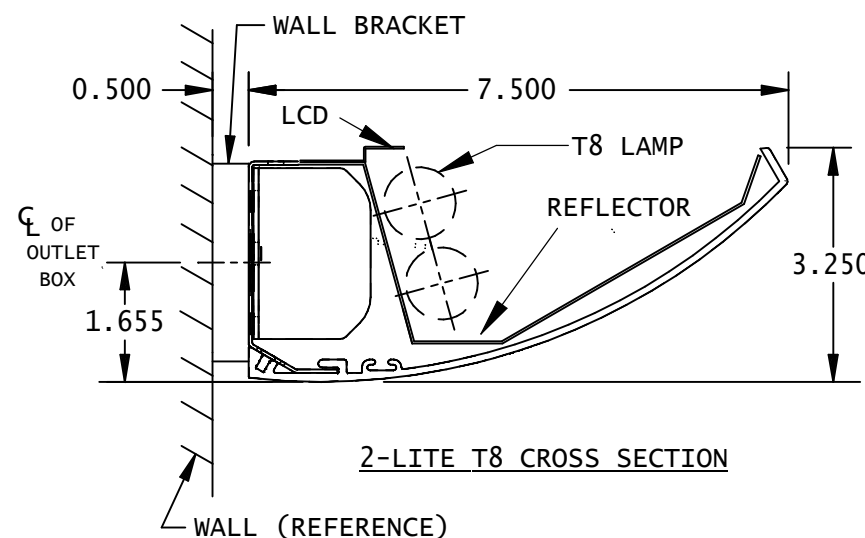
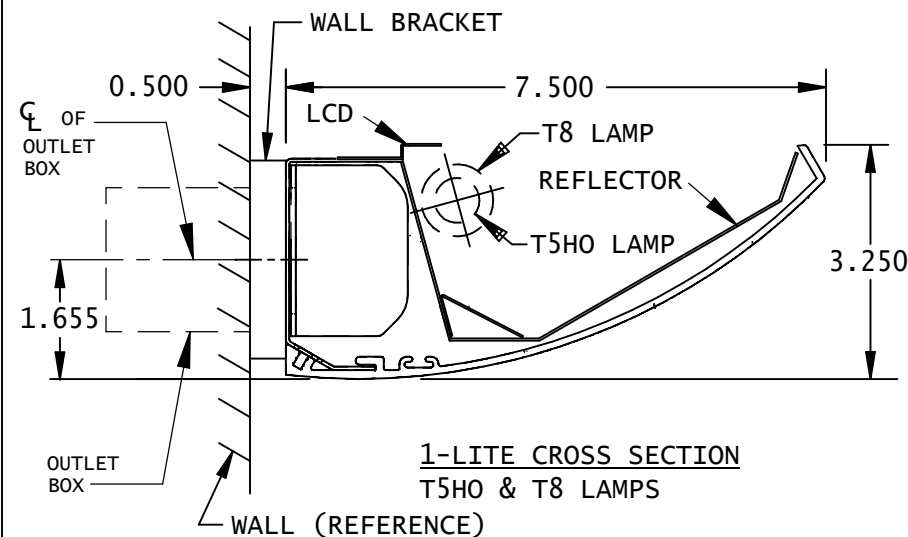
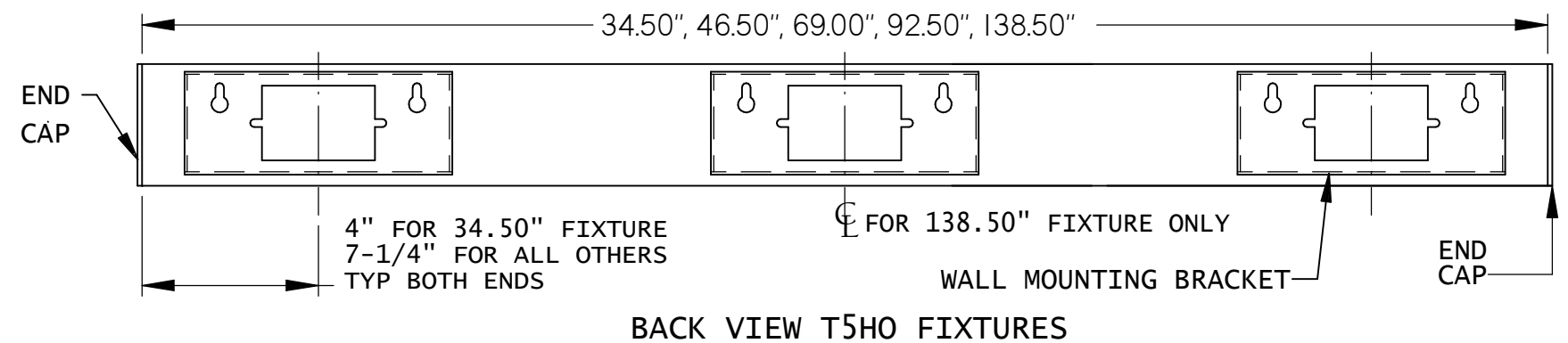
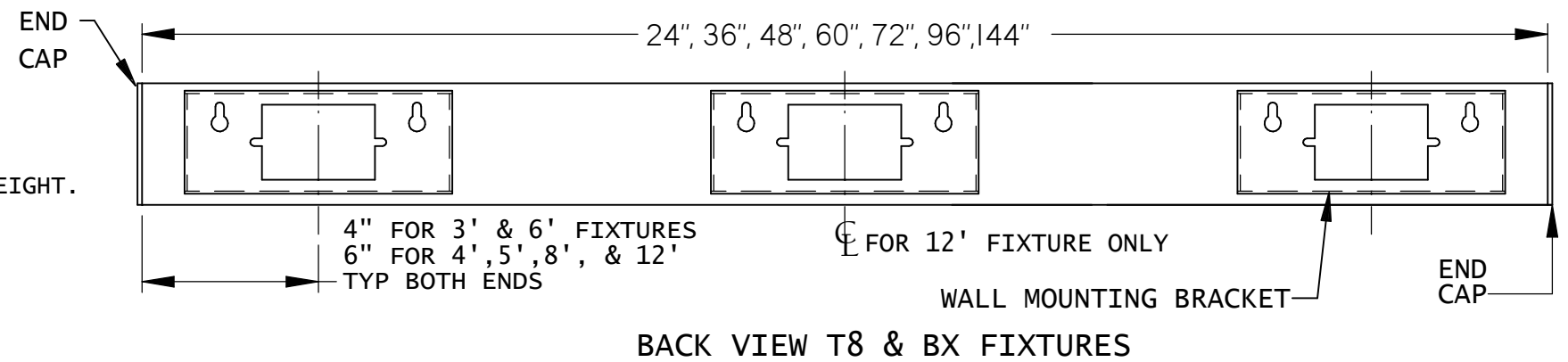
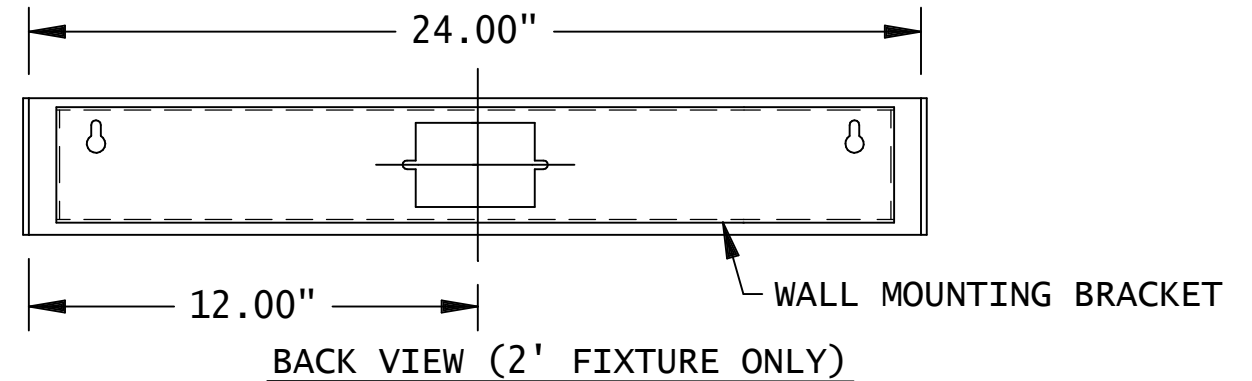
DATE: 3-29-03

PG. 1 OF 3

DO NOT MODIFY OR ALTER THIS PRODUCT IN ANY WAY, OR INSTALL IN ANY FASHION WHICH IS CONTRARY TO THE INSTRUCTIONS CONTAINED HEREIN. IF YOU HAVE ANY QUESTIONS REGARDING THIS PRODUCT OR THE INSTALLATION OF IT, PLEASE CALL LITECONTROL ENGINEERING AT 781-294-0100.

**INSTRUCTIONS: (READ ALL INSTRUCTIONS BEFORE INSTALLATION)**

1. REFER TO VIEWS FOR LOCATIONS OF WALL MOUNTING BRACKET(S).
2. NOTE: WALL BRACKET(S) (W-AI-5600-WALL BRKT-CWM, SHIPPED SEPARATELY) SHOULD BE MOUNTED PRIOR TO INSTALLING FIXTURE(S). REFER TO INSTRUCTION SHEET B510342. (2) BRACKETS ARE REQUIRED FOR MOST FIXTURES AND (3) BRACKETS ARE REQUIRED FOR 12' FIXTURES. WALL BRACKETS WILL FIT OVER 2 x 4 HANDY BOX OR OCTAGONAL OUTLET BOX WITH PLASTER RING. (SUPPLIED BY CONTRACTOR) WALL BRACKETS MUST BE ANCHORED TO WALLS WITH ADEQUATE SUPPORT FOR FIXTURE WEIGHT.
3. REMOVE THE LCD'S SHIPPED IN LAMP COMPARTMENT. LIFT REFLECTOR(S) OUT OF FIXTURE BY REMOVING #8 SHEET METAL SCREWS. REMOVE HAREWARE POLYBAG FROM INSIDE OF FIXTURE.
4. MOUNTING FIXTURE:
  - A. FOR INDIVIDUAL FIXTURES: REMOVE 2" DIA. K.O. IN BACK OF HOUSING AT FEED POSITION. LIFT FIXTURE ON WALL BRACKET STUDS AND SECURE WITH 1/4-20 FLANGE NUTS. BRING GROUNDED FEED INTO FIXTURE WIREWAY AND MAKE WIRING CONNECTIONS.
  - B. FOR ROW MOUNTING: START WITH END OF ROW FIXTURE AND MOUNT PER STEP A. MOUNT FIXTURE TO WALL BRACKETS BUT DO NOT TIGHTEN HEX FLANGE NUTS. BOLT FIXTURE TOGETHER LOOSELY WITH (3) 1/4-20 SCREWS AND NUTS FOUND IN FIXTURE POLYBAG KIT. BRING GROUNDED FEED THRU 7/8" DIA. HOLES IN END HEADERS AND MAKE WIRING CONNECTION IN FIXTURE WIREWAY. REPEAT FOR NEXT FIXTURES IN ROW. WHEN COMPLETE ROW HAS BEEN INSTALLED, LEVEL FIXTURES AND TIGHTEN (3) MOUNTING SCREWS IN END HEADERS SO ALL SIDES BUTT UP AGAINST EACH OTHER. SEE VIEW ON PAGE 3.



INSTALLATION INSTRUCTIONS

FIXTURE TYPE \_\_\_\_\_

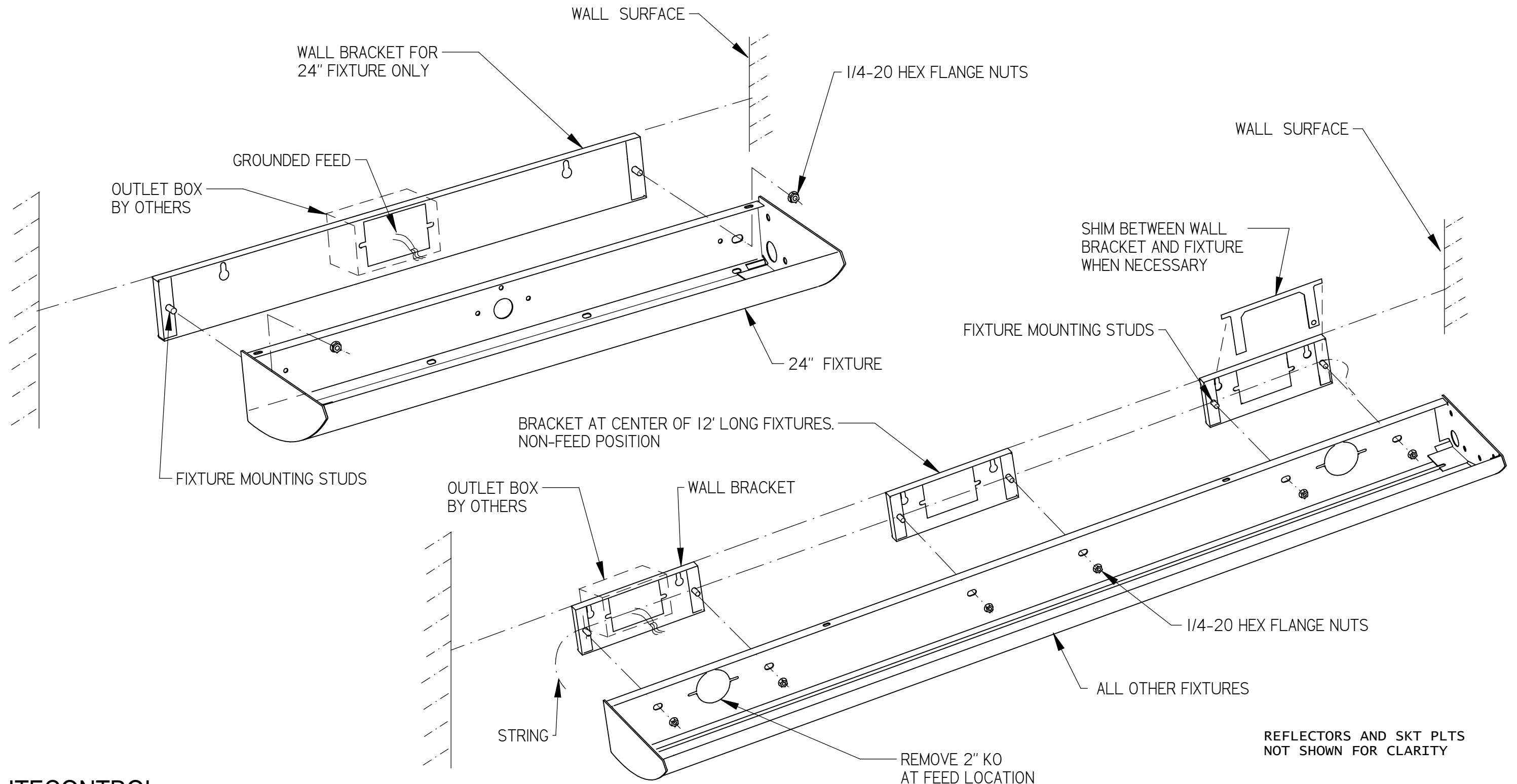
FIXTURE W-AI-5600

P/C 510343-3000

DATE: 3-20-03

PG. 2 OF 3

DO NOT MODIFY OR ALTER THIS PRODUCT IN ANY WAY, OR INSTALL IN ANY FASHION WHICH IS CONTRARY TO THE INSTRUCTIONS CONTAINED HEREIN. IF YOU HAVE ANY QUESTIONS REGARDING THIS PRODUCT OR THE INSTALLATION OF IT, PLEASE CALL LITECONTROL ENGINEERING AT 781-294-0100.



INSTALLATION  
INSTRUCTIONS

FIXTURE TYPE \_\_\_\_\_

FIXTURE  
W-AI-5600

P/C 510343-3000

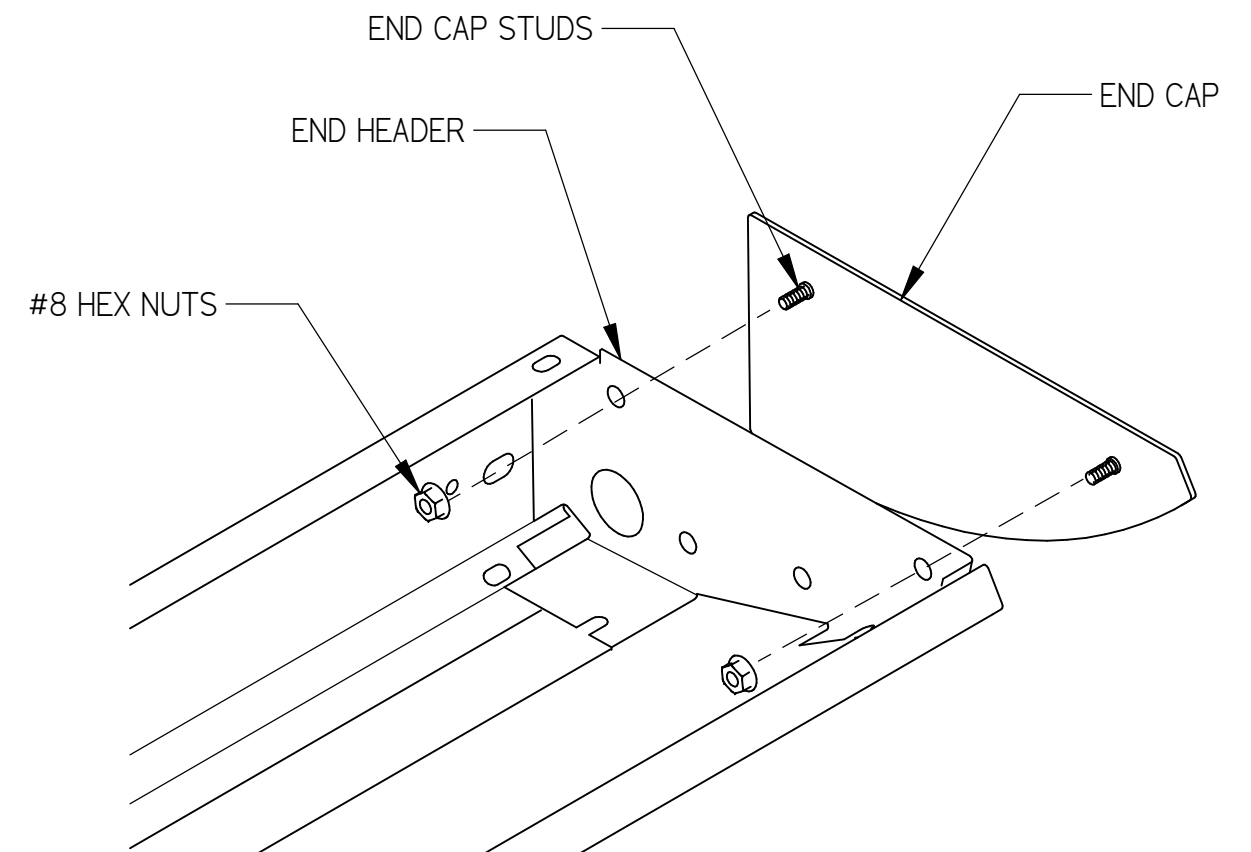
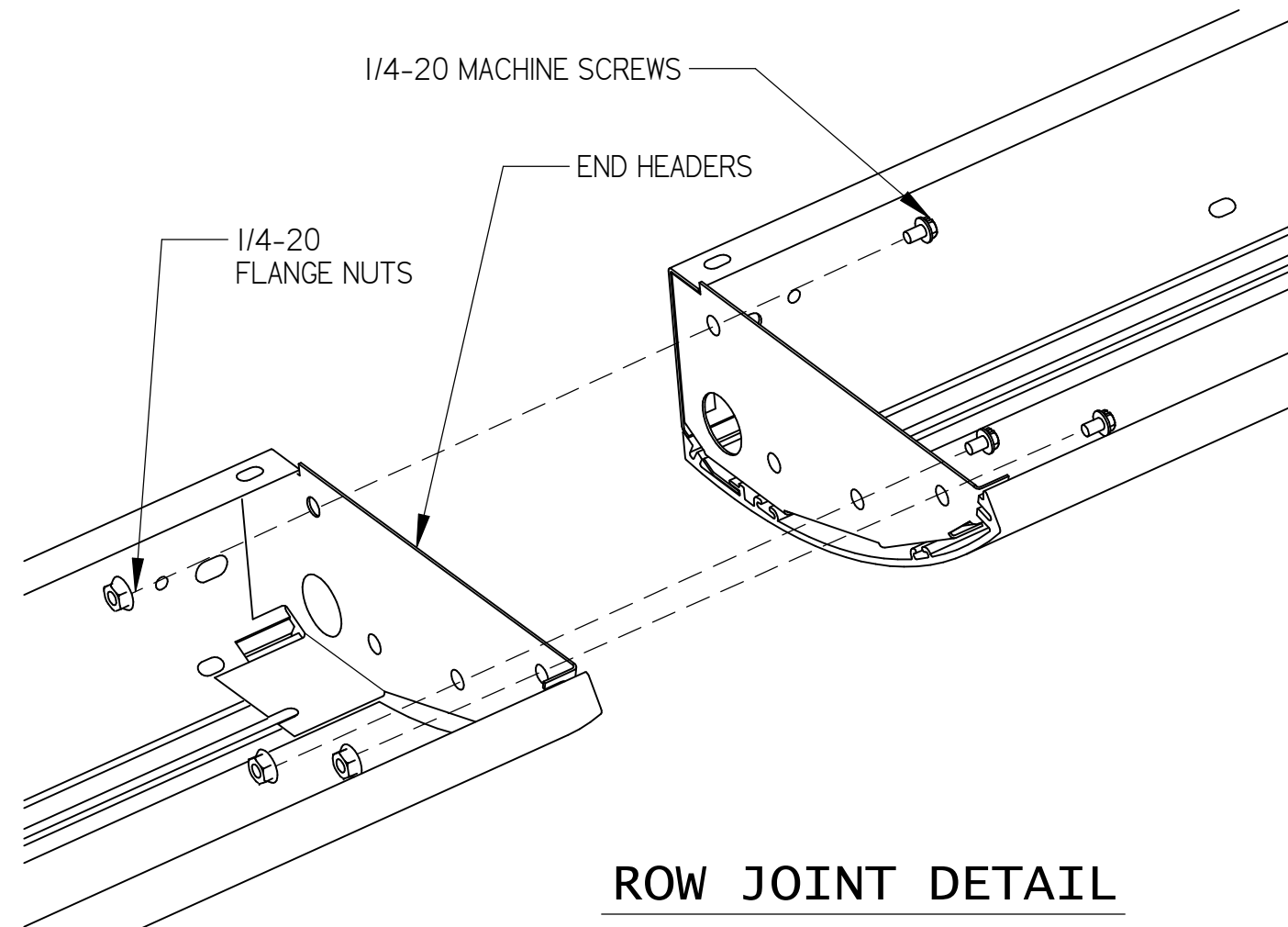
DATE: 3-29-03

PG. 3 OF 3

DO NOT MODIFY OR ALTER THIS PRODUCT IN ANY WAY, OR INSTALL IN ANY FASHION WHICH IS CONTRARY TO THE INSTRUCTIONS CONTAINED HEREIN.  
IF YOU HAVE ANY QUESTIONS REGARDING THIS PRODUCT OR THE INSTALLATION OF IT, PLEASE CALL LITECONTROL ENGINEERING AT 781-294-0100.

INSTRUCTIONS, continued:

5. ATTACH END CAPS TO BOTH ENDS OF AN INDIVIDUAL FIXTURE AND AT EACH END OF A ROW WITH (2) 8-32 HEX NUTS SHIPPED WITH END CAPS. POSITION END CAPS SO THEY ARE FLUSH WITH THE OUTSIDE EDGES OF FIXTURE BEFORE TIGHTENING NUTS. SEE DETAIL BELOW.
6. REPLACE ALL REFLECTORS AND INSTALL LAMPS (BY OTHERS).
7. ATTACH LCD TO TOP OF FIXTURE IN POSITION SHOWN WITH SHEET METAL SCREWS. LCD'S ARE SHIPPED IN FIXTURE TO PREVENT DAMAGE.
8. CLEAN FIXTURE EXTERIOR WITH A GENERAL WINDOW CLEANER.



REFLECTORS AND SOCKET PLATES  
ARE NOT SHOWN FOR CLARITY