

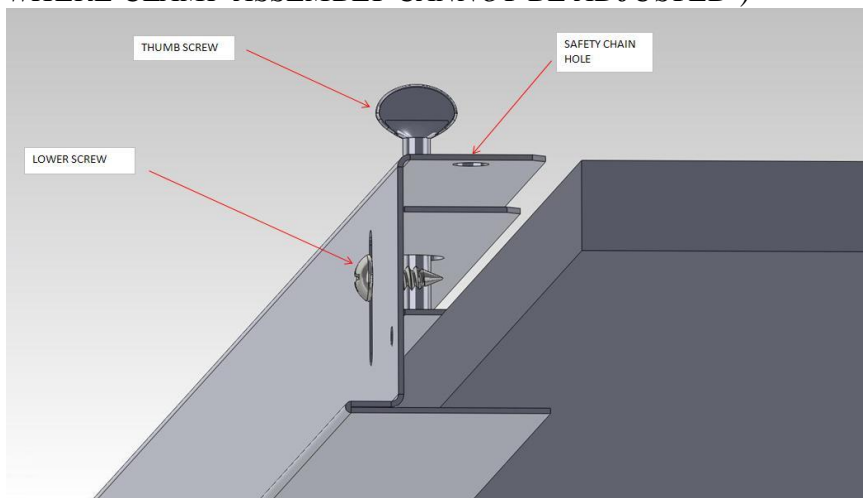
DO NOT MODIFY OR ALTER THIS PRODUCT IN ANY WAY, OR INSTALL IN ANY FASHION WHICH IS CONTRARY TO THE INSTRUCTIONS CONTAINED HEREIN.
IF YOU HAVE ANY QUESTIONS REGARDING THIS PRODUCT OR THE INSTALLATION OF IT, PLEASE CALL LITECONTROL ENGINEERING AT 781-294-0100.

GENERAL NOTES:

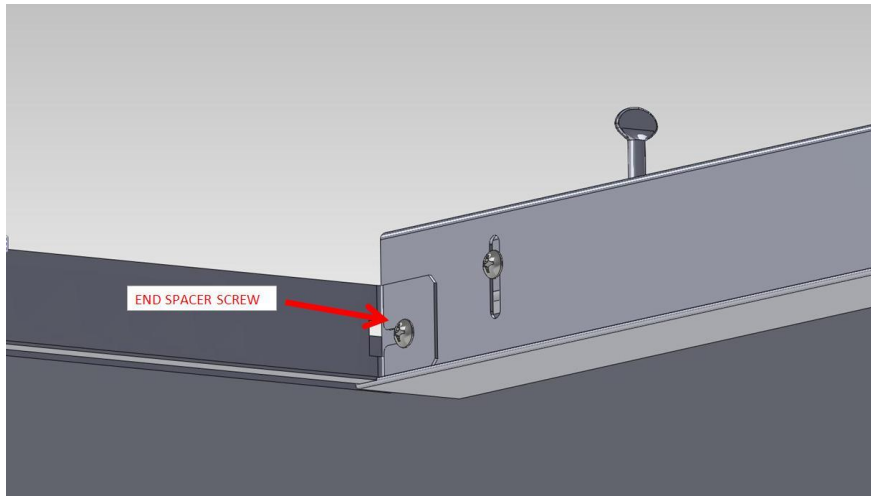
- A) READ ENTIRE INSTRUCTION SHEET BEFORE INSTALLATION.
- B) KIT IS INTENDED FOR INSTALLATION IN A DRYWALL CEILING.
- C) ¼" DIA HOLES HAVE BEEN PROVIDED ON THE ENDS OF THE CLAMP ASSEMBLY FOR INSTALLATION OF SUPPLEMENTARY CHAIN OR WIRE SUPPORT AS MAY BE REQUIRED BY LOCAL CODES.
- D) THIS KIT MUST BE INSTALLED IN STRICT ACCORDANCE WITH THE NEC AND ALL LOCAL CODES.
- E) THE FINISH IS IMPERVIOUS TO DUST AND DIRT IN NORMAL ENVIRONMENTS, AND FOR MOST APPLICATIONS, DUSTING WITH A DRY CLOTH IS SUFFICIENT. HEAVIER SOILS OR FILMS USUALLY MAY BE REMOVED WITH A NON-DETERGENT LIQUID SOAP SOLUTION FOLLOWED BY A CLEAR WATER RINSE. STRONG ALKALINE OR ACID CLEANERS OR HARSH ABRASIVES SHOULD NOT BE USED.

INSTALLATION:

- 1. REMOVE KIT FROM CARTON AND PACKAGING MATERIAL:
- 2. CUT OPENING IN CEILING AS FOLLOWS
 - FOR 1 X 4 FIXTURE - 12.5" X 48.5"
 - FOR 2 X 2 FIXTURE - 24.5" X 24.5"
 - FOR 2 X 4 FIXTURE - 24.5" X 48.5"
- 3. INSTALL CLAMP ASSEMBLY AS SHOWN, TIGHTENING THUMB SCREWS ONLY ENOUGH TO HOLD ASSEMBLY IN PLACE. *(DO NOT TIGHTEN SCREW TO POINT WHERE CLAMP ASSEMBLY CANNOT BE ADJUSTED)*



4. INSTALL END SPACER BRACKET WITH SCREWS. SQUARE UP ALL CORNERS BEFORE TIGHTENING.



5. TIGHTEN LOWER SCREW ON ADJUSTABLE BRACKET TO BRING FLANGE FLUSH WITH CEILING. THEN, TIGHTEN THUMB SCREW TO ANCHOR ASSEMBLY IN PLACE.
6. INSTALL SAFETY CHAIN, USING HOLES PROVIDED, TO STRUCTURE
7. INSTALL FIXTURE PER NORMAL INSTRUCTIONS, USING FLANGE KIT.
8. SLIDE FLANGE TRIM INTO END OF KIT.

