

**INSTALLATION INSTRUCTIONS**

**BEDLITE WALL BRACKET W-AID-1400**

FIXTURE TYPE \_\_\_\_\_

P/C **510527-1000**

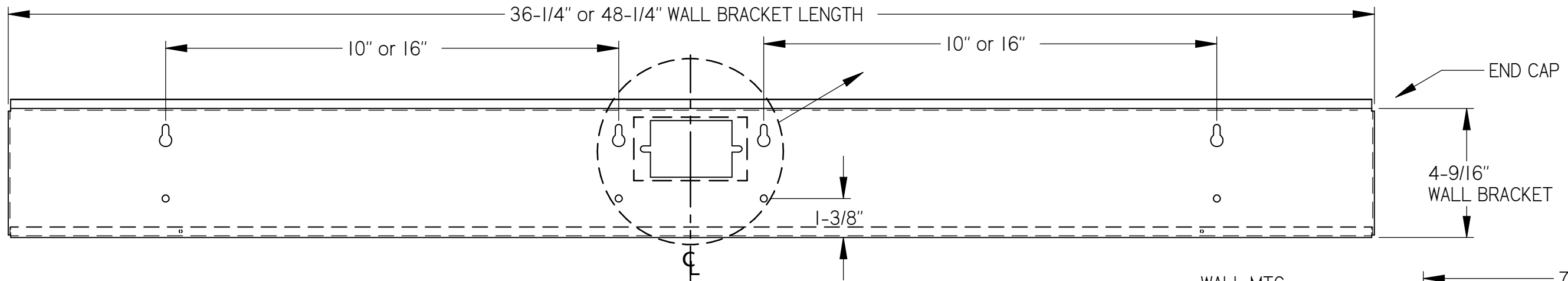
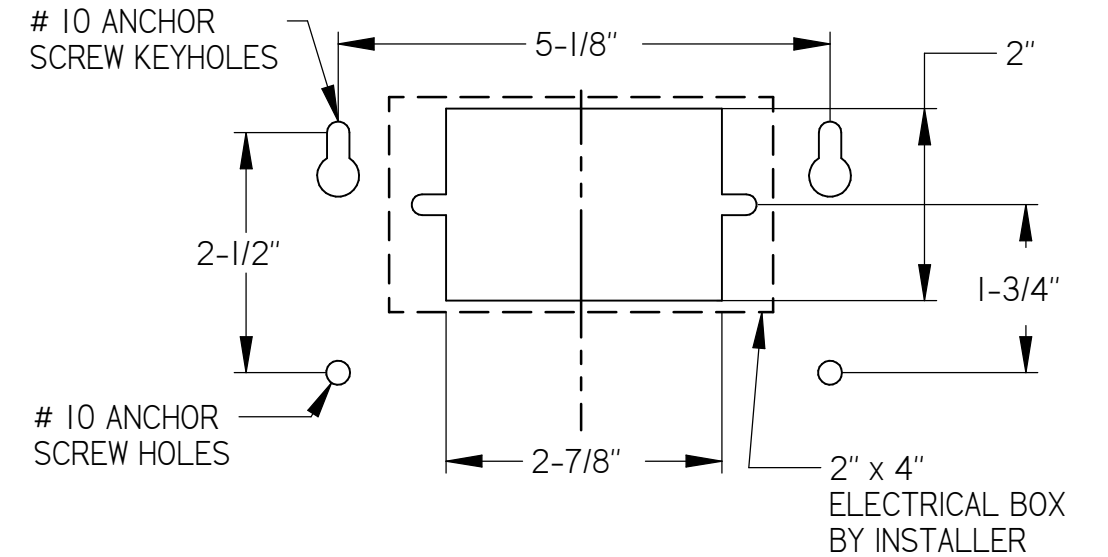
DATE: 11-16-06

PG. 1 OF 2

DO NOT MODIFY OR ALTER THIS PRODUCT IN ANY WAY, OR INSTALL IN ANY FASHION WHICH IS CONTRARY TO THE INSTRUCTIONS CONTAINED HEREIN. IF YOU HAVE ANY QUESTIONS REGARDING THIS PRODUCT OR THE INSTALLATION OF IT, PLEASE CALL LITECONTROL ENGINEERING AT 781-294-0100.

**GENERAL NOTES: (READ SHEETS COMPLETELY BEFORE STARTING)**

1. Wall Bracket is available in 36-1/4" length for installation with 37-3/4" length fixtures or in 48-1/4" length for installation with 49-3/4" length fixtures.
2. Wall Bracket (shipped separately from fixture) is attached over a finished wall surface. Use correct anchoring to prevent wall bracket from pulling away from wall after installation. Shim wall bracket if necessary to keep it level. Use a 2" x 4" electrical box (supplied by installer) positioned horizontally at electrical feed location. See details on this page for location. Approximate weight of fixture is 9 lbs per foot of length.

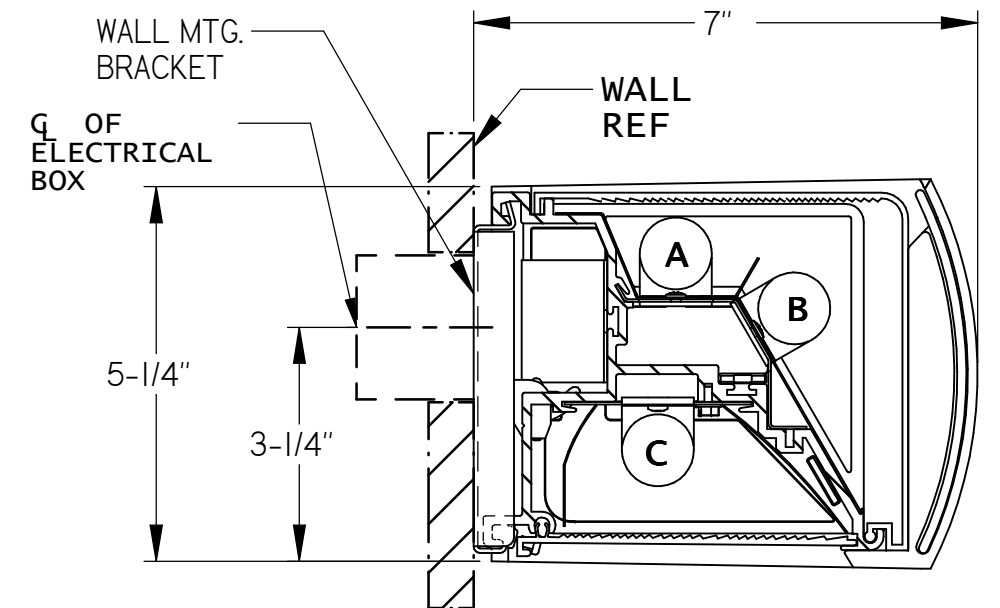


**BACK VIEW SHOWING WALL MOUNTING BRACKET**

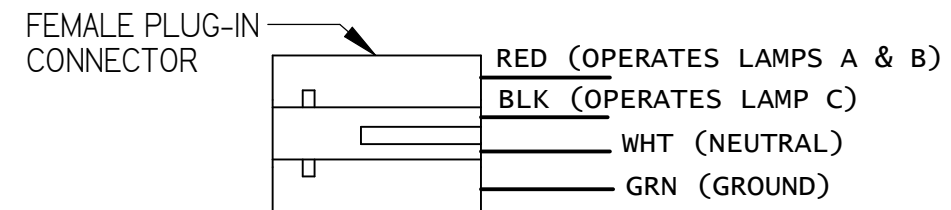
**INSTRUCTIONS: Refer to Views above and on page 2.**

This instruction sheet is used with Fixture Installation sheet 510497

1. Mount Wall Bracket to wall surface over electrical box with anchor screws (by installer). Level Bracket before tightening screws.
2. Connect leads from Female Plug-In Connector (shipped in fixture polybag) to electrical feed: See wiring diagram for circuit operation.
3. Connect Green Bonding wire from fixture to Lever Connector on Wall Bracket and rotate lever to lock wire in place.



**CROSS SECTION FIXTURE AND WALL BRACKET**



**WIRING DIAGRAM-2 CIRCUIT SHOWN**

**NOTES: SHUT OFF POWER BEFORE MAKING WIRING CONNECTIONS AND WHEN UNPLUGGING CONNECTORS.  
FOR SINGLE CIRCUIT AND FIXTURES WITH PULL CORD OR PATIENT SWITCH, RED LEAD IS NOT PROVIDED.  
FOR 2 CIRCUIT FIXTURES: RED LEAD OPERATES LAMPS A & B, BLACK LEAD OPERATES LAMP C.**

