

INSTALLATION INSTRUCTIONS

FIXTURE TYPE _____

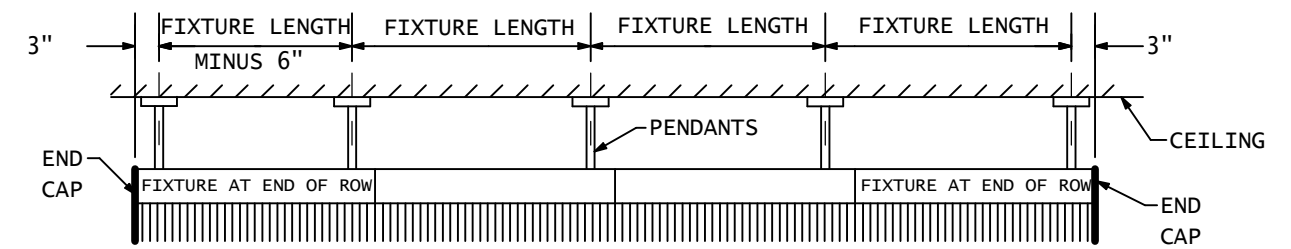
P-D/S-D-0500 FIXTURE

P/C 510572-0000

DATE: 2-24-03

PG. 1 OF 5

DO NOT MODIFY OR ALTER THIS PRODUCT IN ANY WAY, OR INSTALL IN ANY FASHION WHICH IS CONTRARY TO THE INSTRUCTIONS CONTAINED HEREIN. IF YOU HAVE ANY QUESTIONS REGARDING THIS PRODUCT OR THE INSTALLATION OF IT, PLEASE CALL LITECONTROL ENGINEERING AT 781-294-0100.



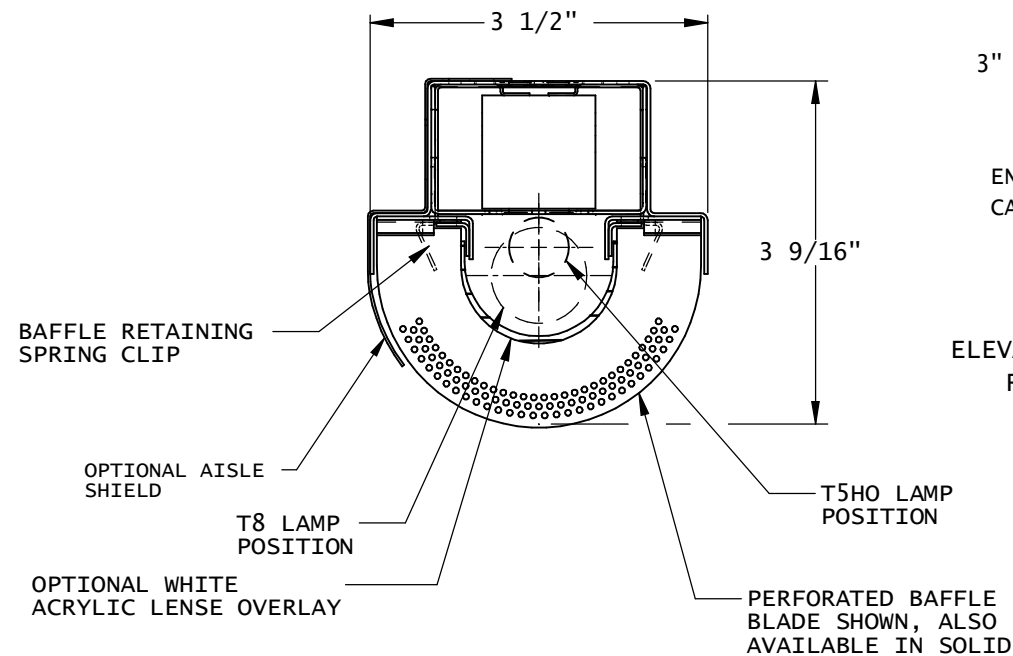
ELEVATION VIEW-PENDANT LOCATIONS FOR ROW MOUNTED FIXTURES

GENERAL NOTES: Read Instructions completely before starting.

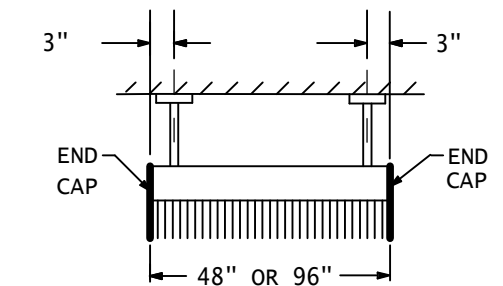
- A) Remove baffles from fixture by pulling upward until baffle disengages from spring clips; See View "A"
- B) If fixtures are to be mounted directly to ceiling surface (S-D-0500) loosen sheetmetal screws and remove reflectors from fixture.
- C) Fixtures are supplied with factory installed Branch Circuit wiring. Refer to supplemental instruction sheet for making connections.
- D) Fixtures that are pendant mounted (P-D-0500) are supplied with stems or aircraft cables and are shipped separately. Refer to instructions packaged with pendants for the requirements and instructions to mount them to the ceiling.

INSTRUCTIONS:

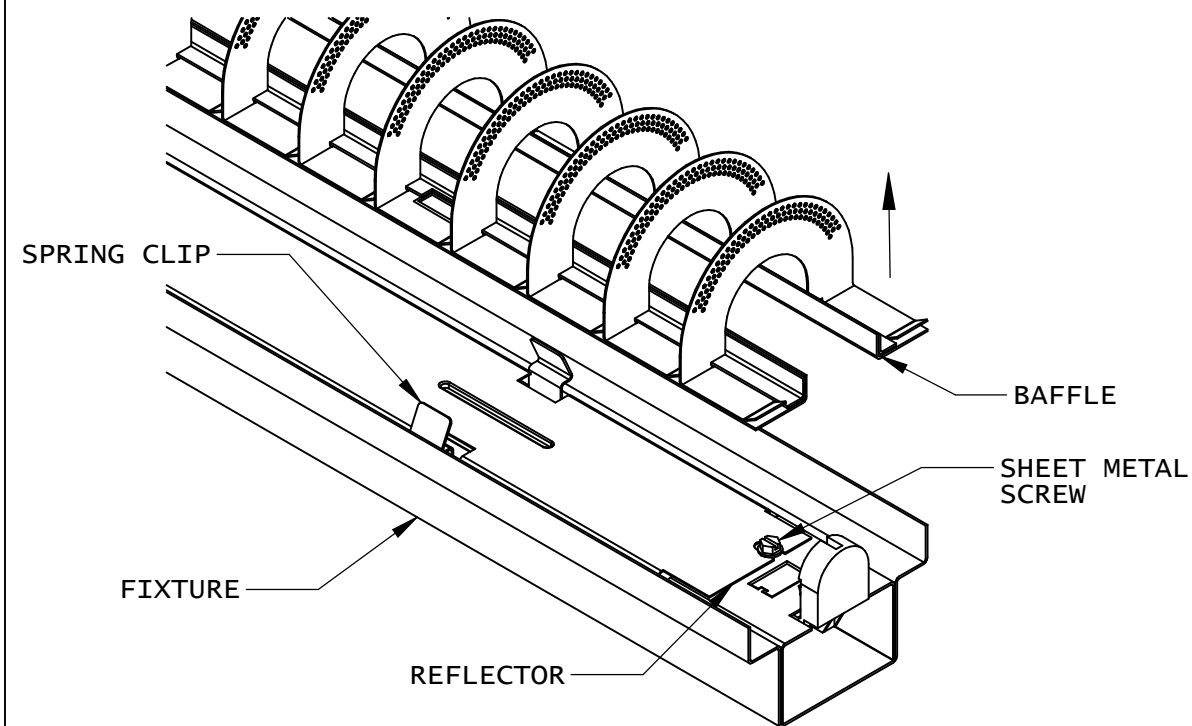
1. **MOUNTING INDIVIDUAL FIXTURES:** Refer to View "B" on page 2.
 - A) Surface Mounted Fixture (S-D-0500): Remove the 5/16" knockouts in top of housing located 3-3/4" in from both ends of fixture. Remove a 5/8" knockout to bring the electrical feed into fixture. NOTE: Pendant Straps are not required for Surface mounting. Mount fixture to ceiling with 1/4-20 screw and anchors (supplied by contractor). Bring wire feed thru 5/8" ko and make connections. Replace reflectors.
 - B) Pendant Mounted Fixture (P-D-0500): Refer to View "B" on Page 2. Locate pendants (stem or aircraft cable) along a straight line in the ceiling at dimensions shown in the "Individual" Elevation View above. Remove the required knockouts as shown in the Instructions shipped with the Pendants and attach the Pendant Straps. Mount fixture to pendants and make wiring connections. Go to Step 3.
2. **MOUNTING ROWS OF FIXTURES:** Refer to View "C" on page 2. Additionally refer to page 3 for [cs/f] row mounting installations.
 - A) Surface Mounted Fixtures (S-D-0500): Remove the 5/16" knockouts in top of housings located 3-3/4" in from both ends of fixtures. Remove a 5/8" knockout in fixture at feed location. NOTE: Pendant Straps are not required for Surface mounting. Mount an End of Row Fixture to ceiling with 1/4-20 screw and anchors (supplied by contractor). Bring wire feed thru 5/8" ko. Place the next fixture in row up against the End of Row fixture and mount to ceiling, making sure that fixtures are straight in line and are level with each other. Repeat this step for each fixture in row. Make wiring connections and replace reflectors.
 - B) Pendant Mounted Fixture (P-D-0500): Refer to View "C" on Page 2. Locate pendants (stem or aircraft cable) along a straight line in the ceiling at dimensions shown in the "Row Mounted" Elevation View above. Starting with a fixture at the end of a row, remove the required knockouts as shown in the Instructions shipped with the Pendants and attach the Pendant Straps. With the Pendant Strap extending out at the row joint end of this fixture, mount this fixture to pendants and level fixture. Take the next fixture in row and attach another Pendant Strap at the far end (for next row joint). Lift this fixture onto the extended Pendant Strap in the first fixture. Secure open end to Strap with a #8-32 machine screw and opposite end to stem or cable. Level this fixture and repeat this step for each additional fixture in row. Wiring connections can be made to factory installed branch circuit wires as each fixture is hung. Push wiring back into open end of fixture wireway.
3. After wiring has been completed, and reflectors are replaced (S-D-0500), Install lamps (supplied by others) by inserting lamp pins into sockets and rotating lamp 90 degrees to lock in place.
4. **Baffle Re-installation:** See View "D" on page 2. Baffles are shipped with a removable blade at one end which must be taken out and discarded when it abutts an End Cap after installation. Carefully Slide off this removable blade and discard. Snap Baffles back into fixture and position them so that the blade spacing between baffles is equal.



CROSS SECTION



ELEVATION VIEW-PENDANT LOCATIONS FOR INDIVIDUAL FIXTURES



VIEW A
BAFFLE REMOVAL

**INSTALLATION
INSTRUCTIONS**

FIXTURE TYPE _____

**P-D/S-D-0500
FIXTURE**

P/C **510572-0000**

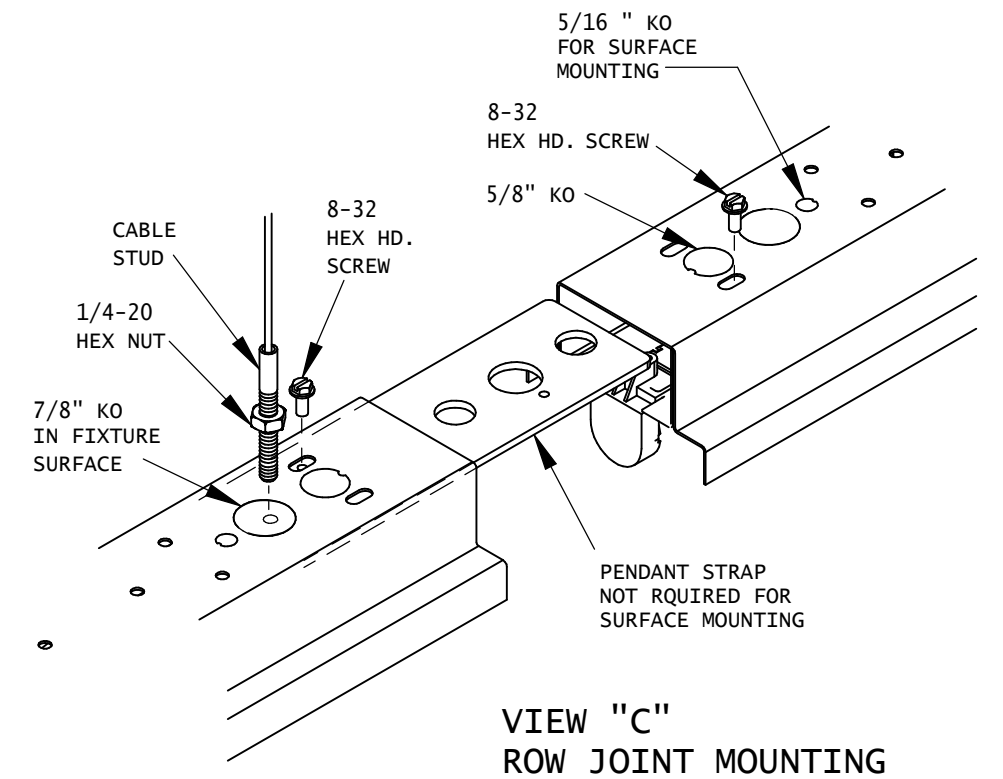
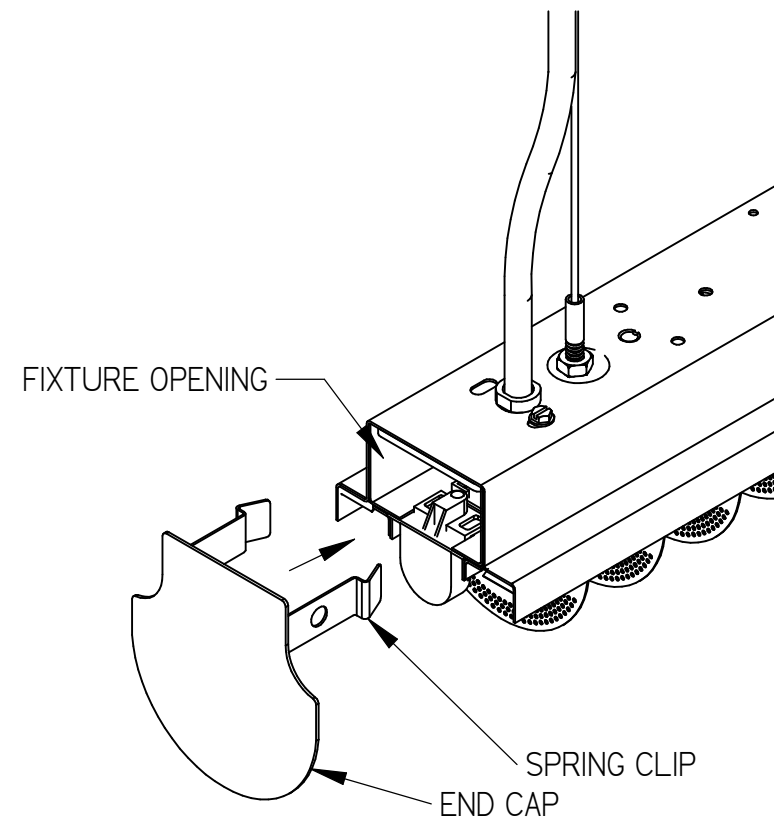
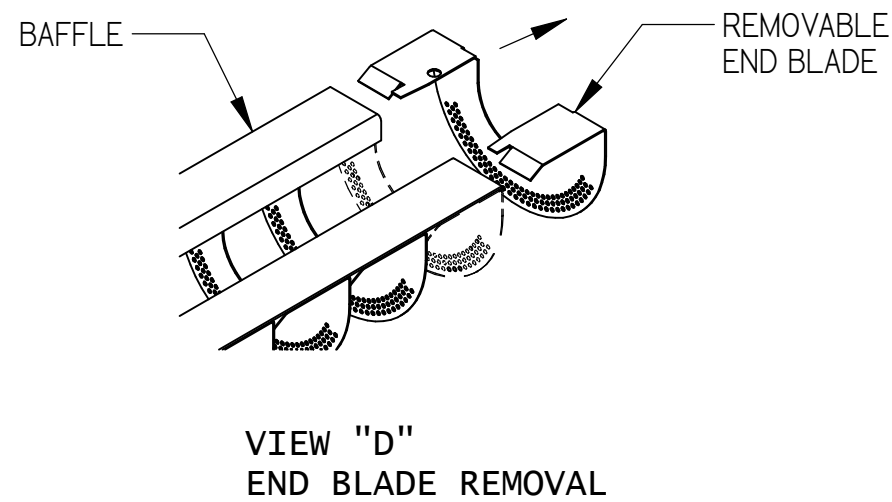
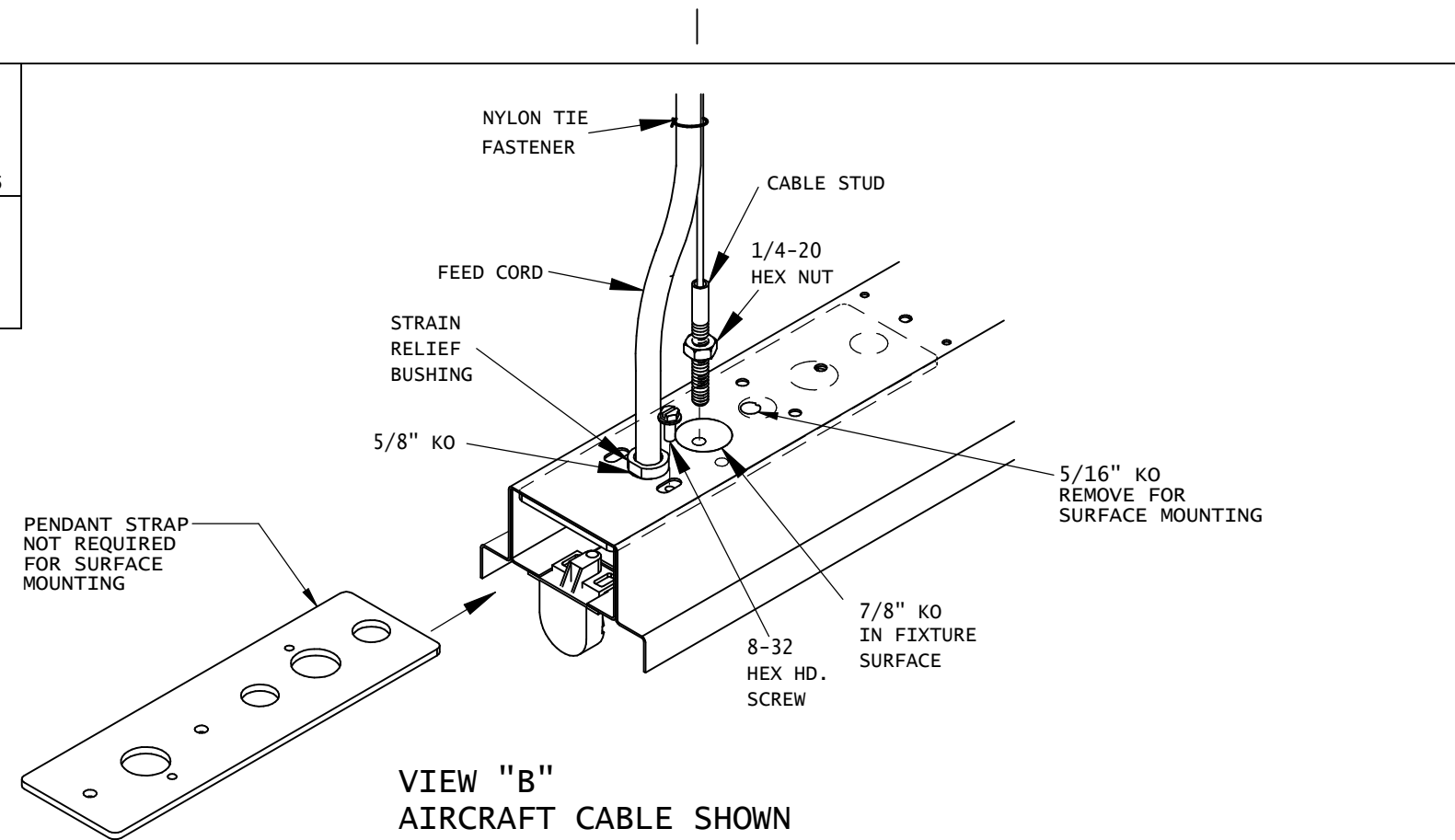
DATE: 2-24-03

PG. 2 OF 5

DO NOT MODIFY OR ALTER THIS PRODUCT IN ANY WAY, OR INSTALL IN ANY FASHION WHICH IS CONTRARY TO THE INSTRUCTIONS CONTAINED HEREIN.
IF YOU HAVE ANY QUESTIONS REGARDING THIS PRODUCT OR THE INSTALLATION OF IT, PLEASE CALL LITECONTROL ENGINEERING AT 781-294-0100.

Instructions (continued):

5. End Cap Installation: (End Caps are shipped separately)
After Baffles have been replaced, Attach End Caps (See View "E") to both ends of an individually mounted fixture and at each end for a row of fixtures.
Insert Spring Clip thru opening in end of fixture until clip engages.
Center End Cap with sides of fixture. End Caps are slightly larger than the outside edges of fixture.
6. Clean fixture exterior surfaces with a general window cleaner.



INSTALLATION INSTRUCTIONS

FIXTURE TYPE _____

P-D/S-D-0500
FIXTURE

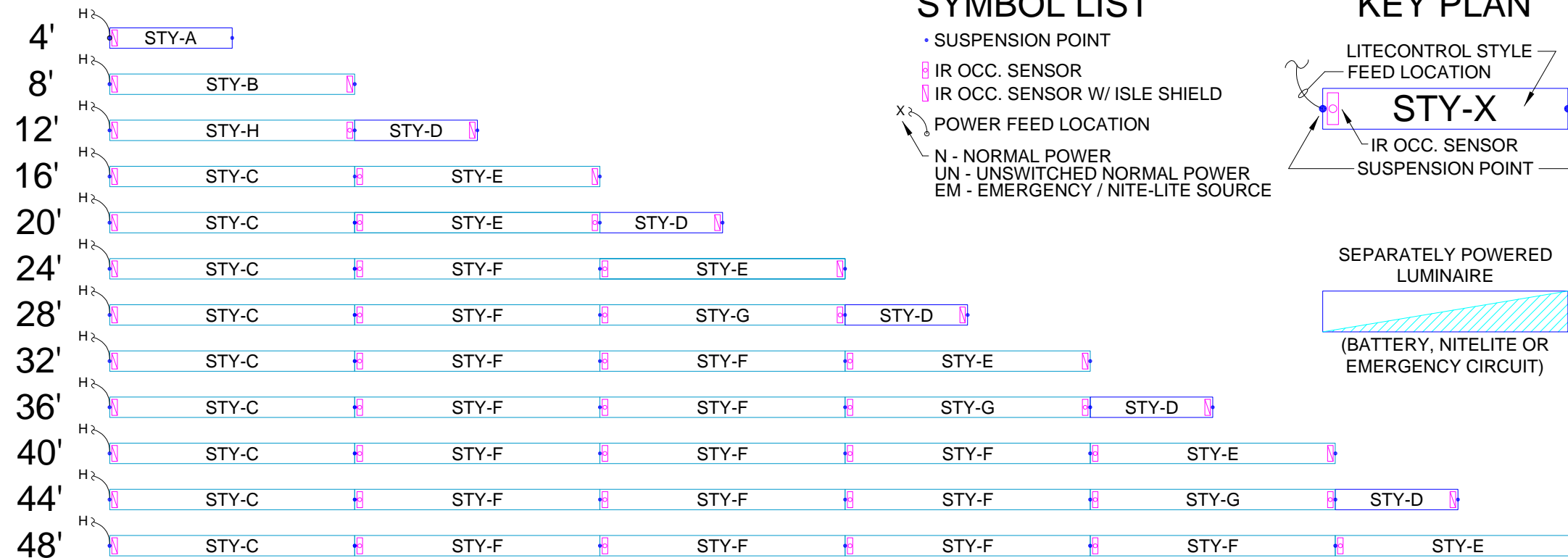
P/C 510572-0000

DATE: 2-24-03

PG. 3 OF 5

DO NOT MODIFY OR ALTER THIS PRODUCT IN ANY WAY, OR INSTALL IN ANY FASHION WHICH IS CONTRARY TO THE INSTRUCTIONS CONTAINED HEREIN.
IF YOU HAVE ANY QUESTIONS REGARDING THIS PRODUCT OR THE INSTALLATION OF IT, PLEASE CALL LITECONTROL ENGINEERING AT 781-294-0100.

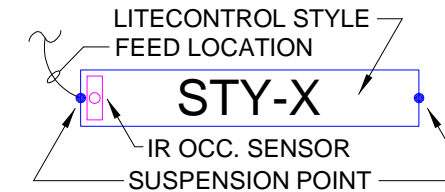
[CS/ir] Row Installation Instructions for NORMAL POWER installations:



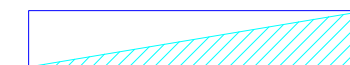
SYMBOL LIST

- SUSPENSION POINT
- IR OCC. SENSOR
- IR OCC. SENSOR W/ ISLE SHIELD
- POWER FEED LOCATION
- N - NORMAL POWER
- UN - UNSWITCHED NORMAL POWER
- EM - EMERGENCY / NITE-LITE SOURCE

KEY PLAN



SEPARATELY POWERED LUMINAIRE



(BATTERY, NITELITE OR EMERGENCY CIRCUIT)

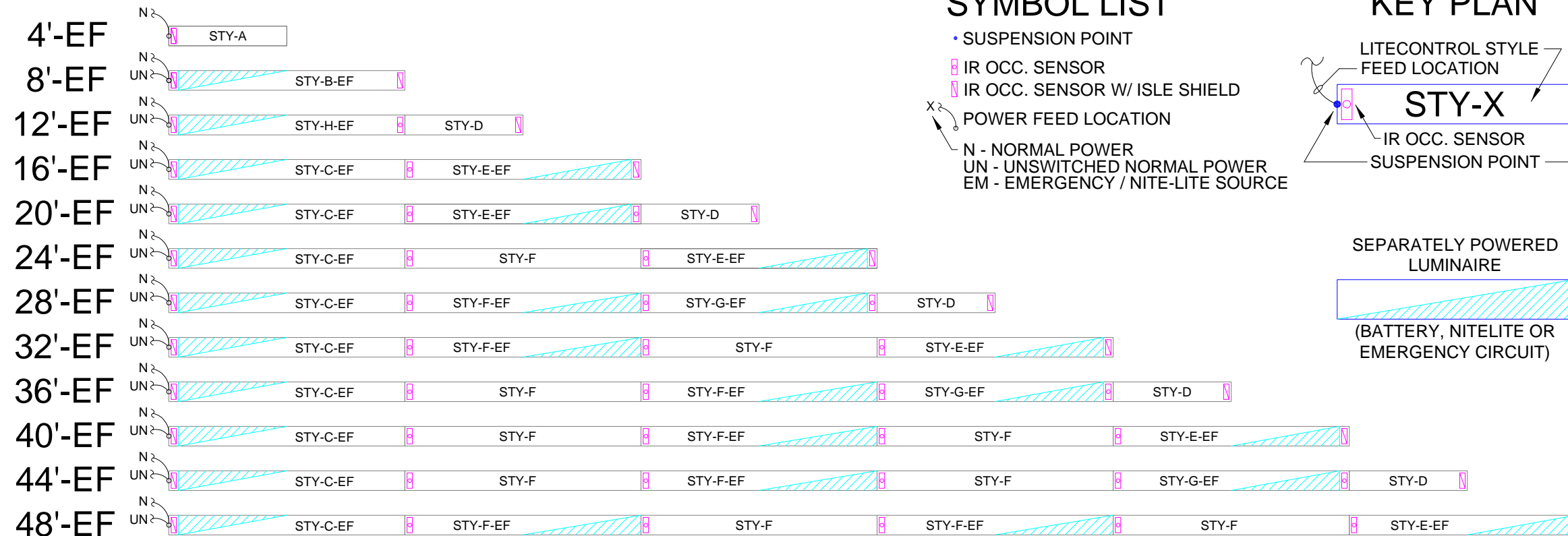
*NOTE - LITECONTROL HAS STANDARDIZED "STYLES" TO EASE THE CONTRACTOR IN FIELD ASSEMBLY OF CONTINUOUS ROWS. STYLES HAVE BEEN ENGINEERED TO PROVIDE SENSOR COVERAGE EVERY 8' O.C. WHILE MAXIMIZING LOW VOLTAGE SENSOR CONNECTIVITY BETWEEN FIXTURES. CONSULT LITECONTROL FOR NON-STANDARD CONFIGURATIONS.

CS/ir INSTALLATION NOTES:

1. Unless otherwise noted, row assembly shall be set up as indicated above.
 - A. For example - Assembly of a 32' row
 - i. The row is composed of a "Type C", "Type F", "Type F", & "Type E" in that order.
 - ii. Row's shall be assembled in field explicitly in the order listed above (C-F-F-E)
 - iii. Luminaires are directionally identified. All arrows on the directional leables ">>>" shall face the same direction during assembly to assure low / line voltage connection compatability.
 - B. Connect low voltage (cat 5) wiring, male to female connections, between luminaires for each row.
 - C. Connect line voltage wiring (quick connects provided) between luminaires for each row.
 - D. Power feed location is provided at the end of the row as shown. Assure roughin locations in field are accurate.
2. Luminaires have been shipped and labled as per their "Type" accordingly. All types are interchangeable for different rows (i.e. Type C is the same fixture in a 16' row and 32' row).
3. Luminaires have been shipped and labled as per the direction and type to be assembled in field.
4. Refer to standard documentation for additional assembly notes.

DO NOT MODIFY OR ALTER THIS PRODUCT IN ANY WAY, OR INSTALL IN ANY FASHION WHICH IS CONTRARY TO THE INSTRUCTIONS CONTAINED HEREIN.
IF YOU HAVE ANY QUESTIONS REGARDING THIS PRODUCT OR THE INSTALLATION OF IT, PLEASE CALL LITECONTROL ENGINEERING AT 781-294-0100.

[CS/ir] Row Installation Instructions for EMERGENCY BATTERY installations:



*NOTE - EMERGENCY LOCATIONS HAVE BEEN OPTIMIZED TO CONFORM TO MOST CODE REQUIRED MINIMUM / AVERAGE ILLUMINATIONS. THE DESIGNER SHALL SOLELY BE RESPONSIBLE FOR VERIFICATION OF CODE COMPLIANCE. CONSULT LITECONTROL FOR NON-STANDARD CONFIGURATIONS.

CS/ir INSTALLATION NOTES:

- Unless otherwise noted, row assembly shall be set up as indicated above.
 - For example - Assembly of a 32' row
 - The row is composed of a "Type C", "Type F", "Type F", & "Type E" in that order.
 - Row's shall be assembled in field explicitly in the order listed above (C-F-F-E)
 - Luminaires are directionally identified. All arrows on the directional leables ">>>" shall face the same direction during assembly to assure low / line voltage connection compatability.
 - Connect low voltage (cat 5) wiring, male to female connections, between luminaires for each row.
 - Connect line voltage wiring (quick connects provided) between luminaires for each row.
 - Power feed location is provided at the end of the row as shown. Assure roughin locations in field are accurate.
- Luminaires have been shipped and labled as per their "Type" accordingly. All types are interchangeable for different rows (i.e. Type C is the same fixture in a 16' row and 32' row).
- Luminaires have been shipped and labled as per the direction and type to be assembled in field.
- Refer to standard documentation for additional assembly notes.

INSTALLATION INSTRUCTIONS

FIXTURE TYPE _____

P-D/S-D-0500
FIXTURE

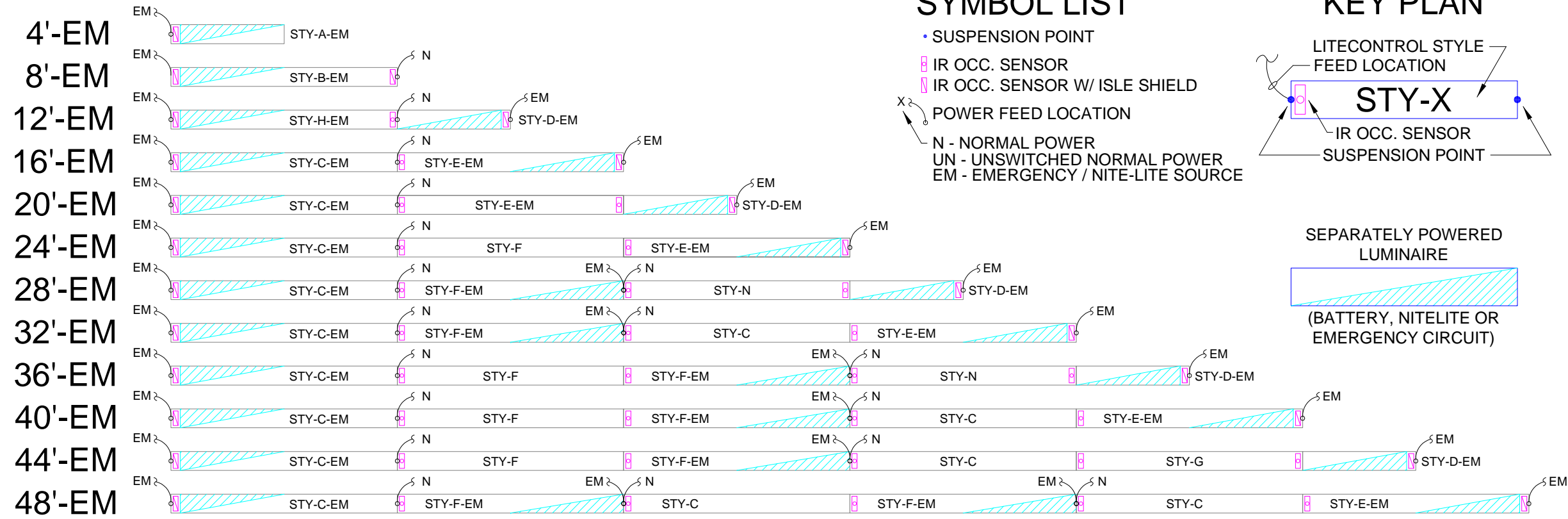
P/C 510572-0000

DATE: 2-24-03

PG. 5 OF 5

DO NOT MODIFY OR ALTER THIS PRODUCT IN ANY WAY, OR INSTALL IN ANY FASHION WHICH IS CONTRARY TO THE INSTRUCTIONS CONTAINED HEREIN.
IF YOU HAVE ANY QUESTIONS REGARDING THIS PRODUCT OR THE INSTALLATION OF IT, PLEASE CALL LITECONTROL ENGINEERING AT 781-294-0100.

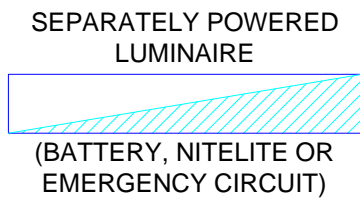
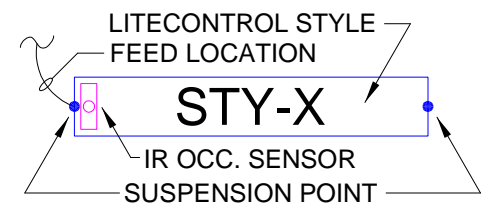
[CS/ir] Row Installation Instructions for EMERGENCY FEED OR NIGHTLIGHT installations :



SYMBOL LIST

- SUSPENSION POINT
- IR OCC. SENSOR
- IR OCC. SENSOR W/ ISLE SHIELD
- POWER FEED LOCATION
- N - NORMAL POWER
- UN - UNSWITCHED NORMAL POWER
- EM - EMERGENCY / NITE-LITE SOURCE

KEY PLAN



*NOTE - EMERGENCY LOCATIONS HAVE BEEN OPTIMIZED TO CONFORM TO MOST CODE REQUIRED MINIMUM / AVERAGE ILLUMINATIONS. THE DESIGNER SHALL SOLELY BE RESPONSIBLE FOR VERIFICATION OF CODE COMPLIANCE. CONSULT LITECONTROL FOR NON-STANDARD CONFIGURATIONS. EMERGENCY / NITELITE CIRCUIT WILL NOT BE CONTROLLED BY OCCUPANCY SENSOR.

CS/ir INSTALLATION NOTES:

1. Unless otherwise noted, row assembly shall be set up as indicated above.
 - A. For example - Assembly of a 32' row
 - i. The row is composed of a "Type C", "Type F", "Type F", & "Type E" in that order.
 - ii. Row's shall be assembled in field explicitly in the order listed above (C-F-F-E)
 - iii. Luminaires are directionally identified. All arrows on the directional leables ">>>" shall face the same direction during assembly to assure low / line voltage connection compatability.
 - B. Connect low voltage (cat 5) wiring, male to female connections, between luminaires for each row.
 - C. Connect line voltage wiring (quick connects provided) between luminaires for each row.
 - D. Power feed location is provided at the end of the row as shown. Assure roughin locations in field are accurate.
2. Luminaires have been shipped and labeled as per their "Type" accordingly. All types are interchangeable for different rows (i.e. Type C is the same fixture in a 16' row and 32' row).
3. Luminaires have been shipped and labeled as per the direction and type to be assembled in field.
4. Refer to standard documentation for additional assembly notes.