

INSTALLATION INSTRUCTIONS

PART NO. **510320-3000**

FIXTURE TYPE _____

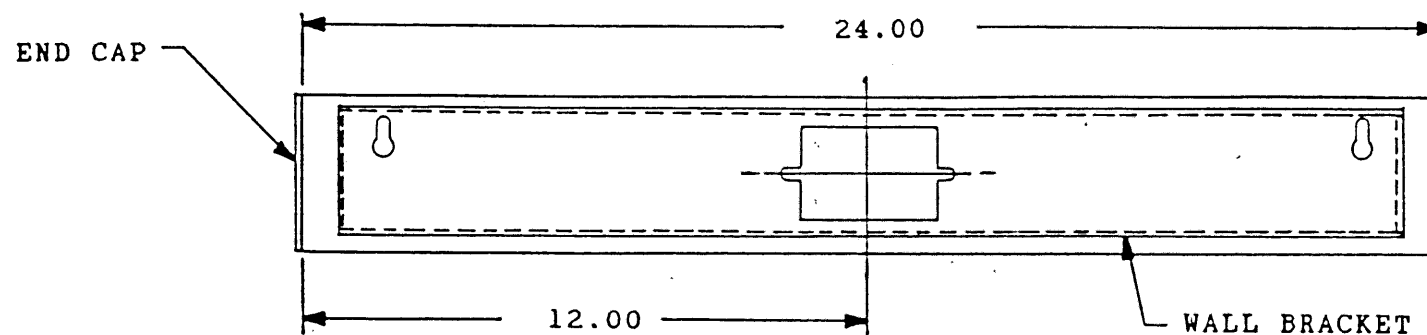
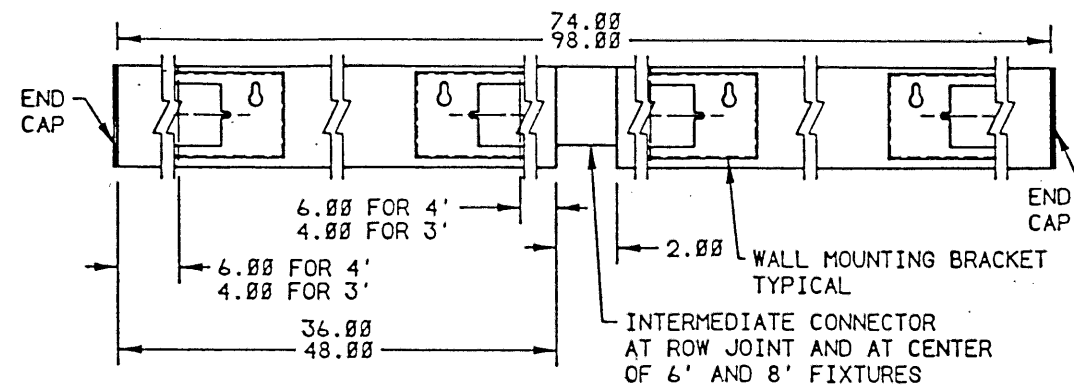
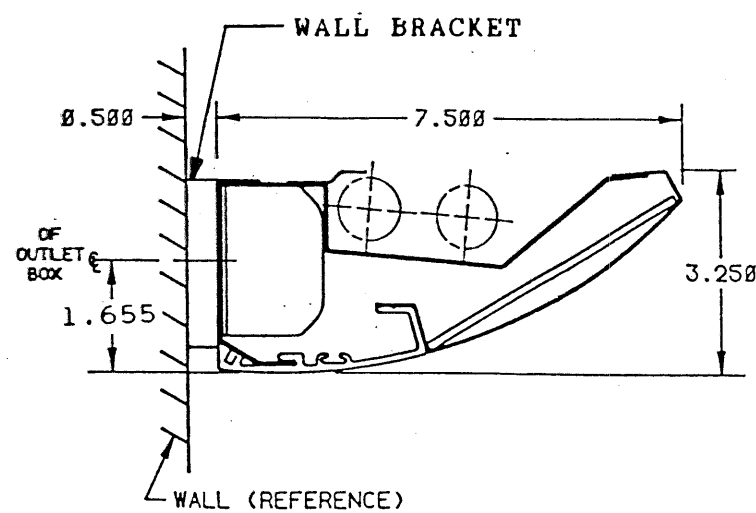
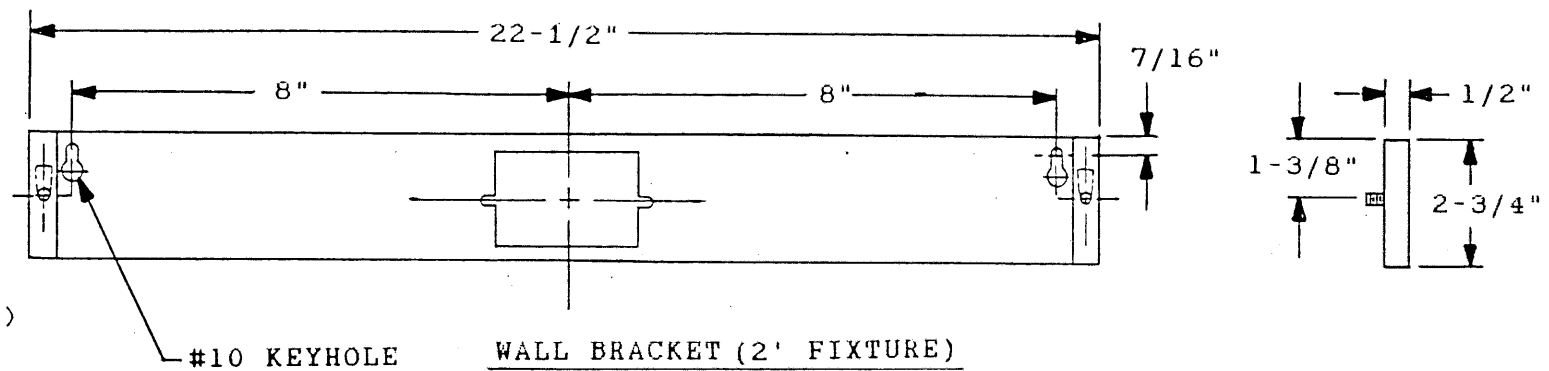
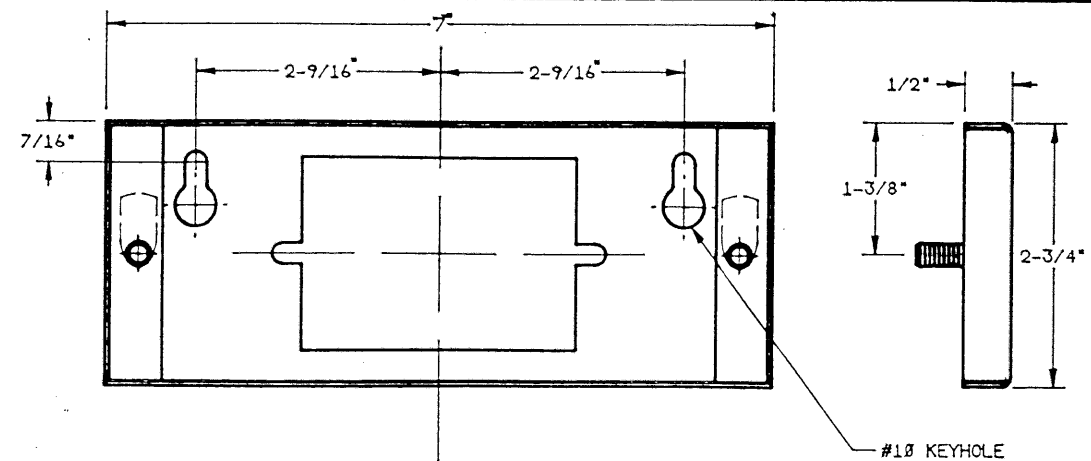
WALL BRACKET W-AI-5500

Pg. 1 OF 2

DO NOT MODIFY OR ALTER THIS PRODUCT IN ANY WAY, OR INSTALL IN ANY FASHION WHICH IS CONTRARY TO THE INSTRUCTIONS CONTAINED HEREIN. IF YOU HAVE ANY QUESTIONS REGARDING THIS PRODUCT OR THE INSTALLATION OF IT, PLEASE CALL LITECONTROL ENGINEERING AT 781-294-0100

INSTRUCTIONS:

1. MARK A STRAIGHT LINE ON MOUNTING WALL AT CORRECT HEIGHT. CAREFULLY PRE-POSITION BRACKETS ON WALL AT CORRECT DISTANCES FROM EACH OTHER AND MARK LOCATIONS OF MOUNTING HOLES.
2. WHEN ATTACHING WALL BRACKET TO AN OUTLET BOX USE EITHER A 2" X 4" HANDY BOX OR A 4" OUTLET BOX WITH A PLASTER RING MOUNTED HORIZONTAL. NOTE: OUTLET BOX MUST BE ADEQUATELY ATTACHED TO STRUCTURE FOR SUPPORTING FIXTURE WEIGHT.
3. MOUNT THE FIRST AND LAST WALL BRACKET IN A ROW OF FIXTURES THRU #10 KEYHOLES. USE CORRECT ANCHORING TO INSURE THAT FIXTURE WILL NOT PULL AWAY FROM WALL WHEN ATTACHED. RUN A STRING BETWEEN FIRST AND LAST BRKT ATTACHING IT TO FIXTURE MOUNTING STUDS, KEEPING THE STRING CLOSEST TO BRKT SURFACE. MOUNT ALL OTHER BRACKETS BETWEEN, MAKING SURE THAT THEY ARE "FLUSH" WITH STRING. IF REQUIRED USE SHIM(S) SUPPLIED BETWEEN WALL SURFACE AND BACK OF BRACKETS IN LINE WITH EACH OTHER.
4. MOUNT FIXTURE PER APPROPRIATE INSTRUCTION SHEET.



BACK VIEW (2' FIXTURE)

LITECONTROL

100 HAWKS AVENUE - PO BOX 100 - HANSON MA 02341,

FORM 852014B-2

OR BINAL

INSTALLATION INSTRUCTIONS

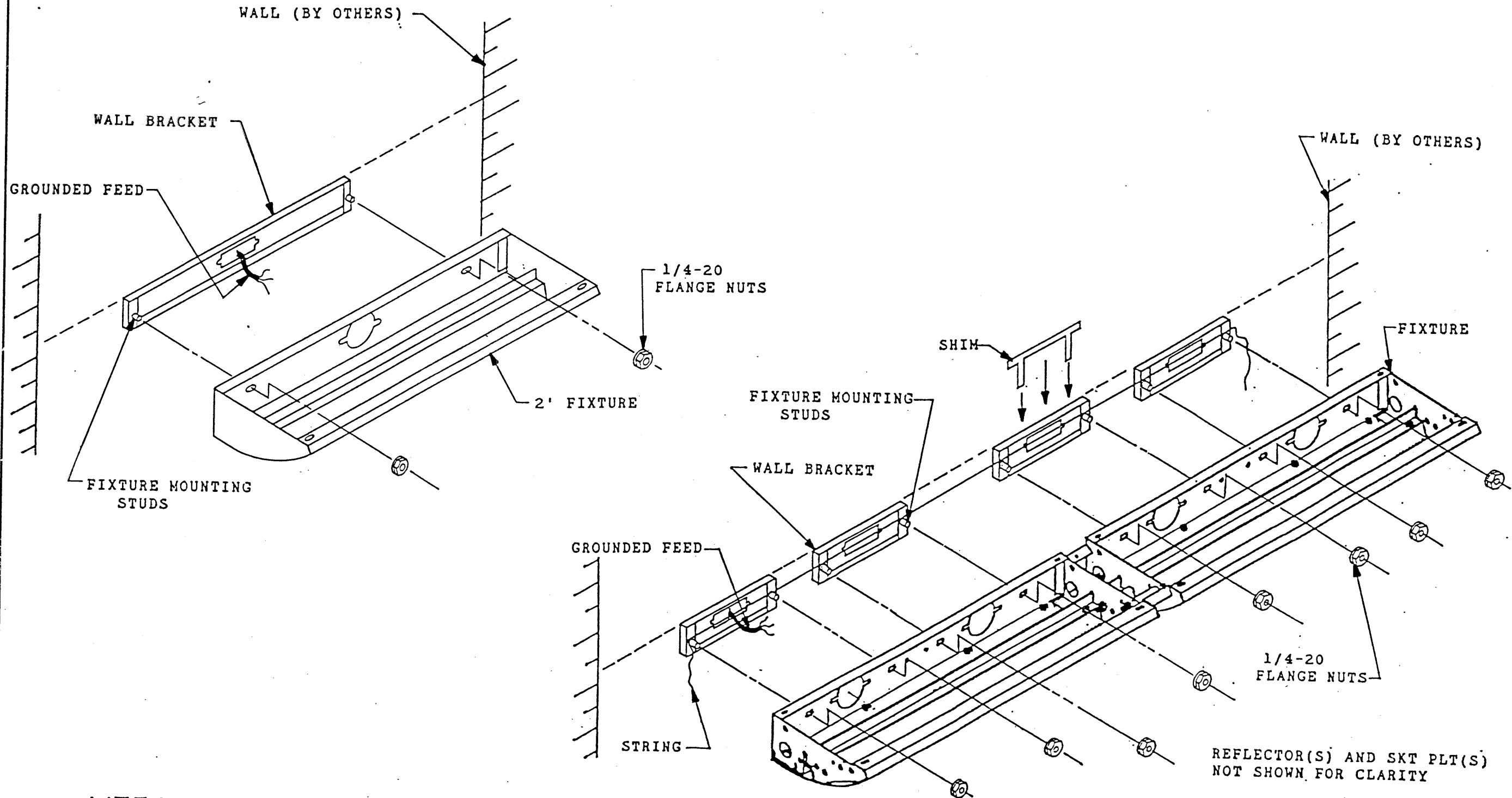
PART NO. 510320-3000

FIXTURE TYPE _____

**WALL BRACKET
W-AI-5500**

PG. 2
OF 2

DO NOT MODIFY OR ALTER THIS PRODUCT IN ANY WAY, OR INSTALL IN ANY FASHION WHICH IS CONTRARY TO THE INSTRUCTIONS CONTAINED HEREIN. IF YOU HAVE ANY QUESTIONS REGARDING THIS PRODUCT OR THE INSTALLATION OF IT, PLEASE CALL LITECONTROL ENGINEERING AT 781-294-0100



LITECONTROL

188 HAWKS AVENUE - PO BOX 188 - HANSON MA 02341

FORM B52814B-2

ORIGINAL