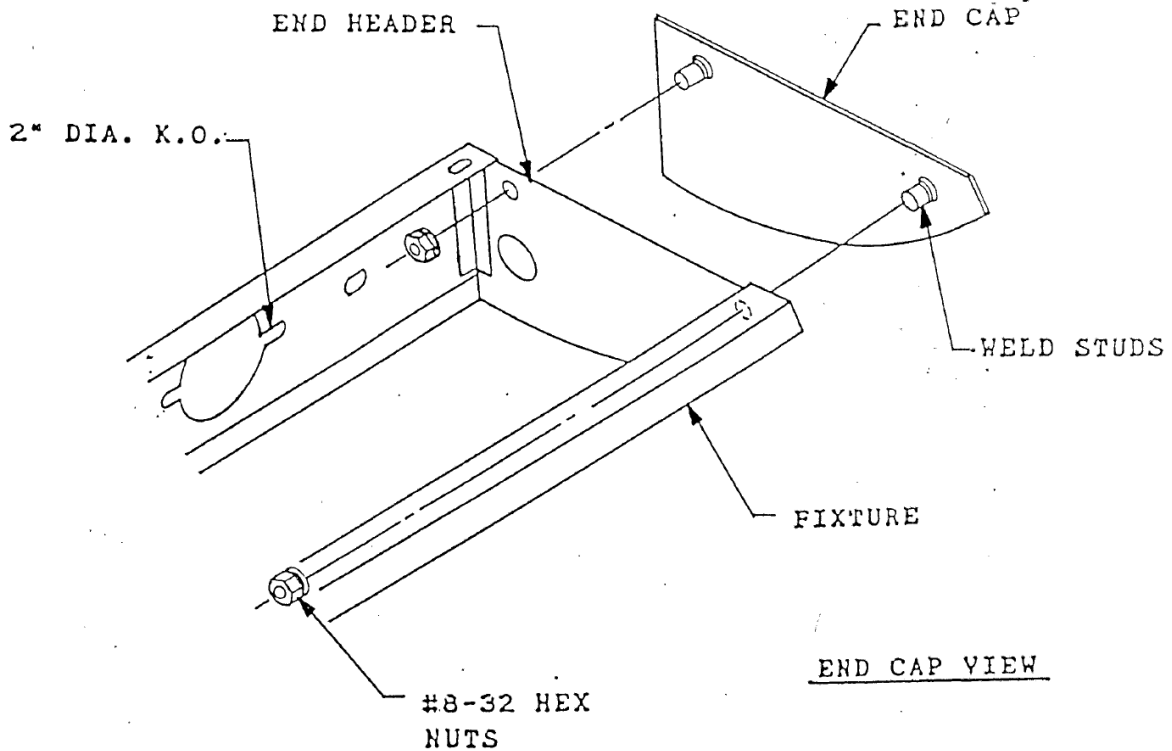


DO NOT MODIFY OR ALTER THIS PRODUCT IN ANY WAY, OR INSTALL IN ANY FASHION WHICH IS CONTRARY TO THE INSTRUCTIONS CONTAINED HEREIN.  
IF YOU HAVE ANY QUESTIONS REGARDING THIS PRODUCT OR THE INSTALLATION OF IT, PLEASE CALL LITECONTROL ENGINEERING AT 781-294-0100.



INSTRUCTIONS:

1. END CAPS ARE TO BE ATTACHED TO BOTH ENDS OF AN INDIVIDUAL FIXTURE OR AT EACH END OF A ROW OF FIXTURES. SECURE END CAP TO FIXTURE END HEADER WITH (2) 8-32 HEX NUTS.
2. END CAPS MUST BE FLUSH AND ALIGNED WITH SHAPE OF FIXTURE AFTER ASSEMBLY.