

**INSTALLATION
INSTRUCTIONS**

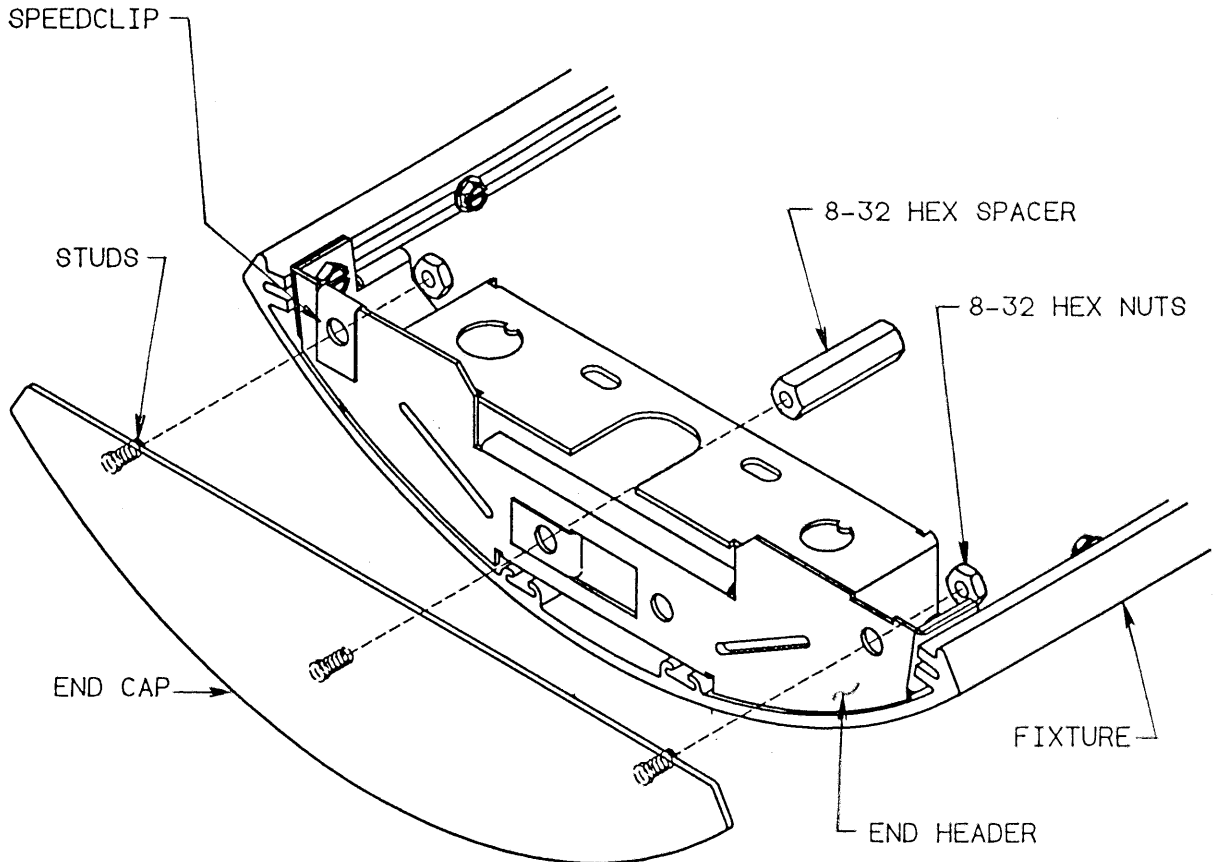
FIXTURE TYPE _____

**P-I-5400
END CAP**

PART
NO. **510332-1000**

PG. 1
OF 1

DO NOT MODIFY OR ALTER THIS PRODUCT IN ANY WAY, OR INSTALL IN ANY FASHION WHICH IS CONTRARY TO THE INSTRUCTIONS CONTAINED HEREIN.
IF YOU HAVE ANY QUESTIONS REGARDING THIS PRODUCT OR THE INSTALLATION OF IT, PLEASE CALL LITECONTROL ENGINEERING AT 617-294-0100.



INSTRUCTIONS:

1. ATTACH END CAPS TO BOTH ENDS OF AN INDIVIDUAL FIXTURE OR AT EACH END OF A ROW OF FIXTURES BY INSERTING STUDS THRU HOLES OR SPEEDCLIPS IN END HEADER.
SECURE TOP TWO STUDS WITH 8-32 HEX NUTS AND LOWER STUD WITH 8-32 HEX SPACER: DO NOT OVERTIGHTEN NUTS.
2. END CAPS MUST BE FLUSH AND ALIGN WITH SHAPE OF FIXTURE AFTER ASSEMBLY.

LITECONTROL

100 HAWKS AVENUE - PO BOX 100 - HANSON MA 02341, (617-294-0100)