

**INSTALLATION INSTRUCTIONS**

FIXTURE TYPE \_\_\_\_\_

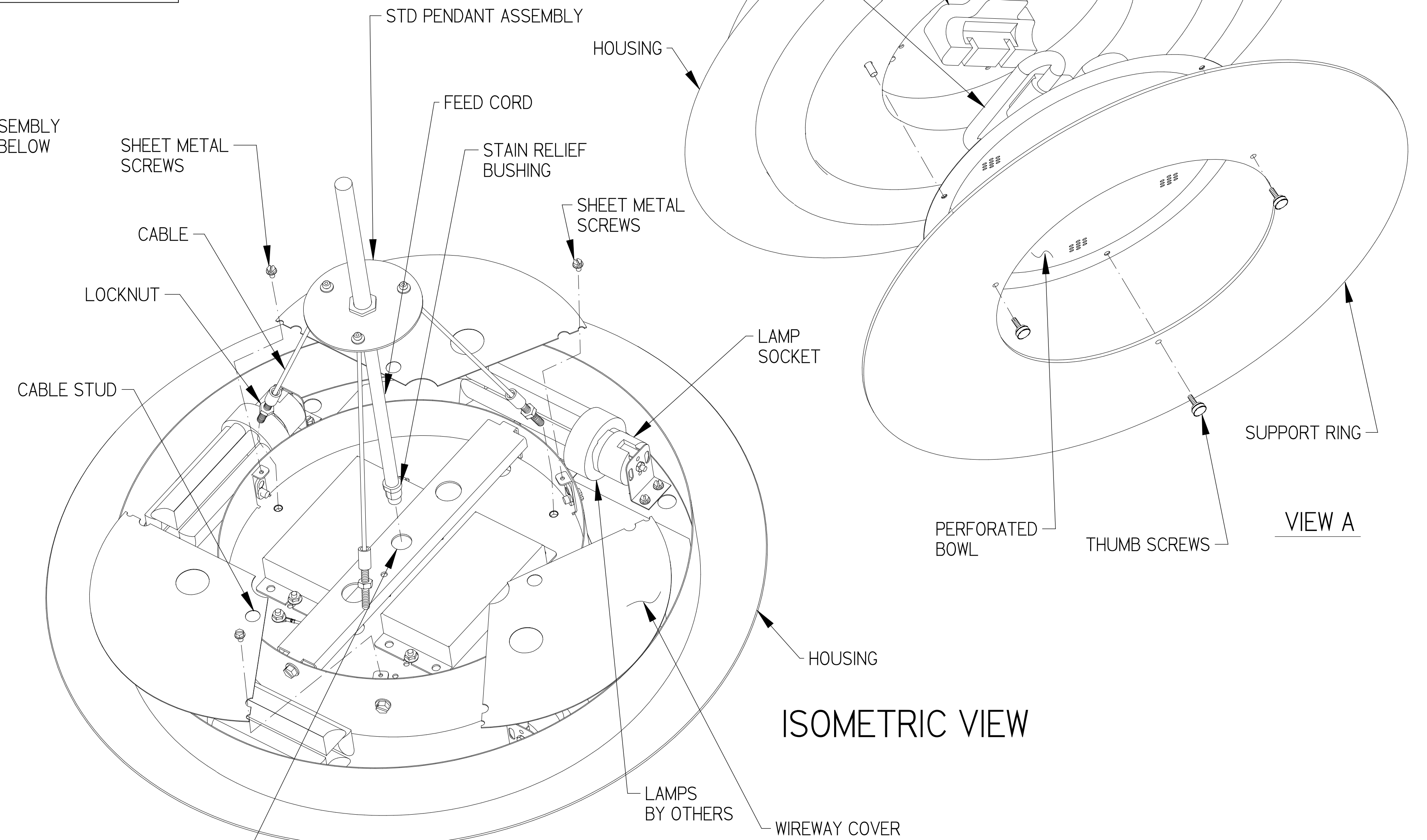
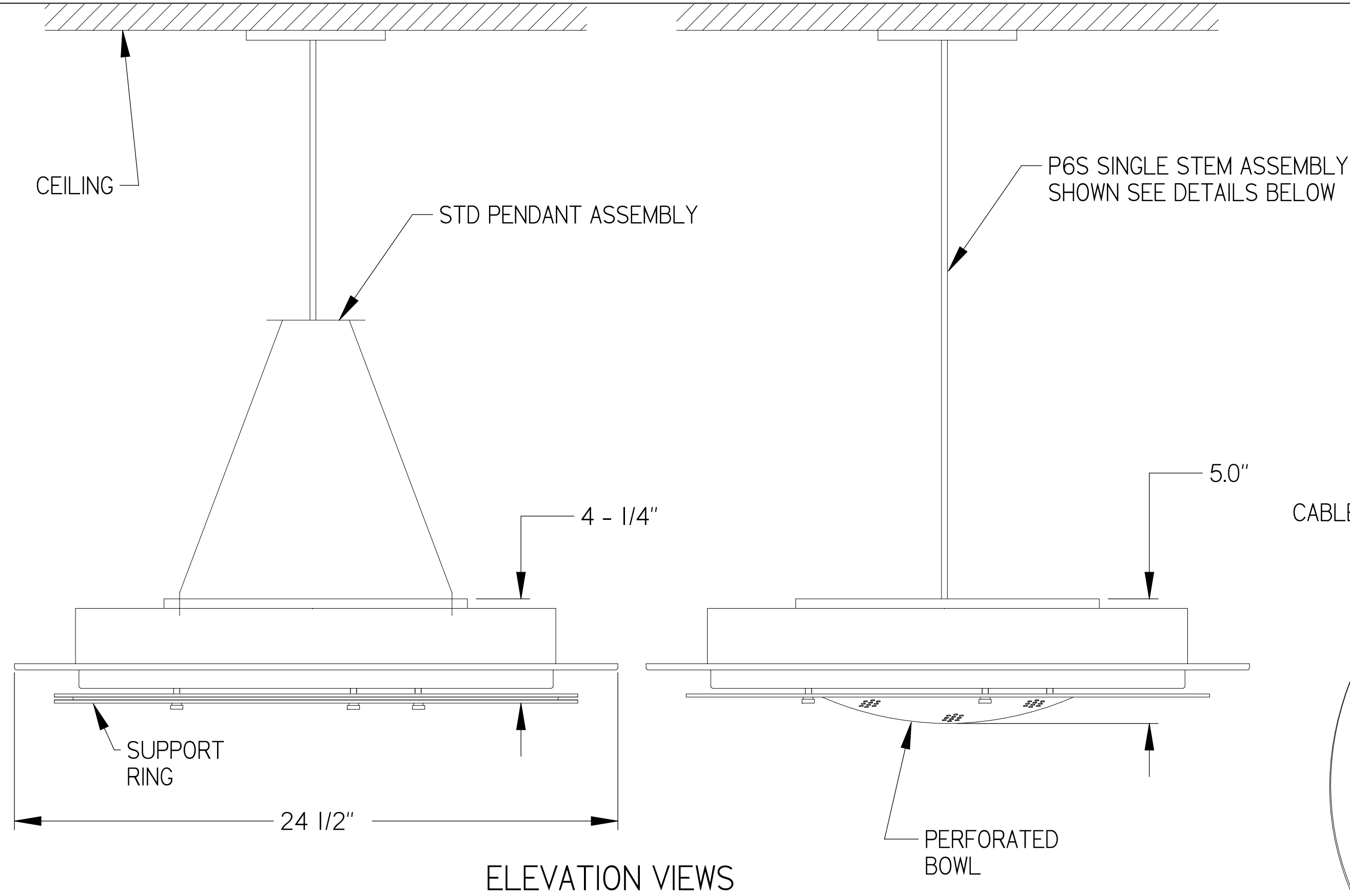
P-ID-36J R 00  
FIXTURE ASSEMBLY

P/C 510426-2000

DATE: 03/12/02

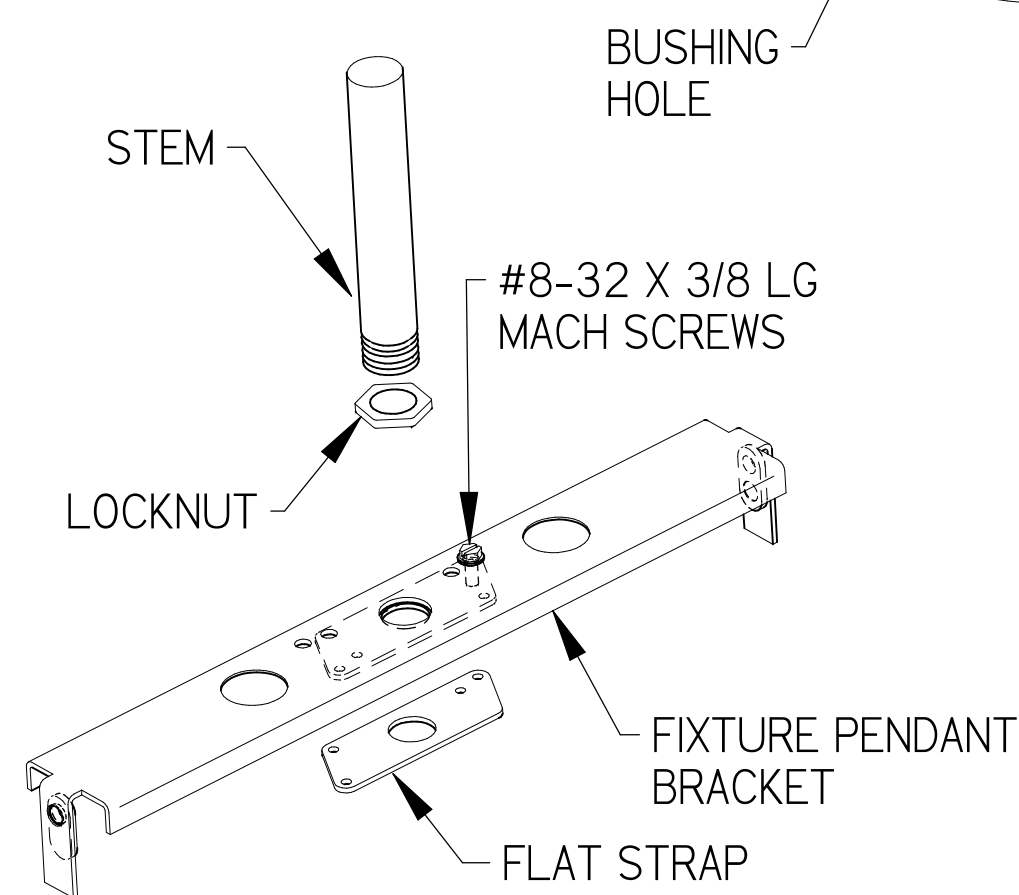
PG. 1 OF 1

DO NOT MODIFY OR ALTER THIS PRODUCT IN ANY WAY, OR INSTALL IN ANY FASHION WHICH IS CONTRARY TO THE INSTRUCTIONS CONTAINED HEREIN.  
IF YOU HAVE ANY QUESTIONS REGARDING THIS PRODUCT OR THE INSTALLATION OF IT, PLEASE CALL LITECONTROL ENGINEERING AT 781-294-0100.

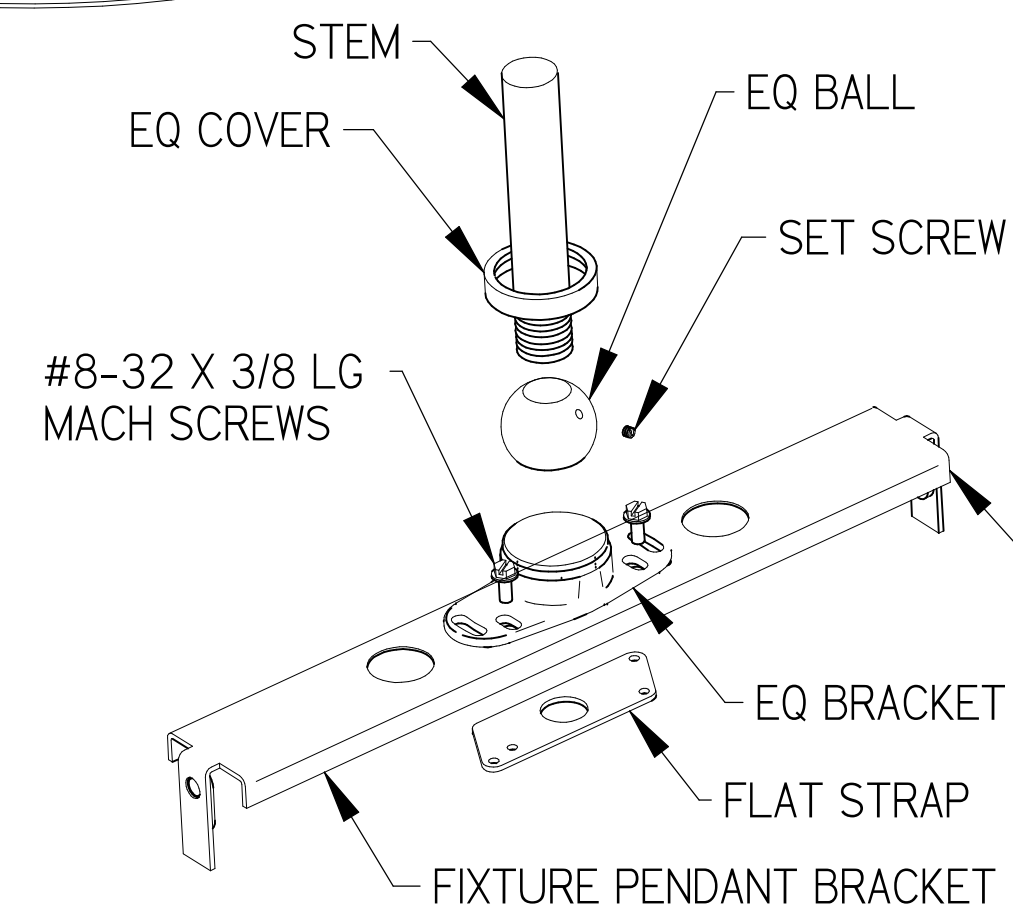


**INSTRUCTIONS:**

1. INSTALL PENDANT ASSEMBLIES: (SHIPPED SEPARATELY)  
STD ASSY SHOWN IN ISOMETRIC VIEW REF TO INSTRUCTION SHEET B510358.  
FOR SINGLE STEM ASSEMBLIES: REFER TO INSTRUCTION SHEETS:  
P6S - B510373 DETAIL SHOWN BELOW, EQ/P6 - B510356 DETAIL SHOWN BELOW, SC/P6 - B510234.
2. REMOVE WIRWAY COVERS BY REMOVING (3) SHEET METAL SCREWS.
3. REMOVE THUMB SCREWS, SUPPORT RING, PERF BOWL AND LENSE.  
INSERT 21 WATT 2D LAMP BY OTHERS INTO 2D SOCKET AS SHOWN IN (SEE VIEW A) REPLACE SUPPORT RING, PERF BOWL AND LENSE.
4. LIFT FIXTURE UP AND THREAD THE (3) CABLE STUDS INTO HOUSING AS SHOWN IN VIEW. LEVEL FIXTURE BY THREADING STUDS IN OR OUT OF MOUNTING HOLES AND THEN TIGHTEN LOCKNUTS.
5. POSITION FEED CORD AGAINST ADJACENT CABLE AND TIE CORD TO CABLE WITH NYLON TIE FASTENERS (SHIPPED WITH PENDANT ASSY)
6. ATTACH A STRAIN RELIEF BUSHING (SHIPPED WITH PENDANT ASSY) TO LOWER END OF FEED CORD AND SNAP BUSHING INTO HOLE AS SHOWN.
7. MAKE WIRING CONNECTIONS AND THEN TUCK WIRES BACK INTO FIXTURE WIREWAY COMPARTMENT.
8. RE-INSTALL WIREWAY COVERS REMOVED IN PREVIOUS STEP 2.
9. INSTALL LAMPS (BY OTHERS) BY INSERTING LAMP BASE INTO SOCKET.
10. CLEAN LAMP EXTERIOR WITH GENERAL WINDOW CLEANER.



P6S SINGLE STEM DETAIL



EQ P6S SINGLE STEM DETAIL

NOTE: PENDANT SUPPORT BRACKET IS SHOWN REMOVED FROM FIXTURE FOR REF. ONLY. DO NOT REMOVE FROM FIXTURE FOR PENDANT INSTALLATION.