

INSTALLATION  
INSTRUCTIONS

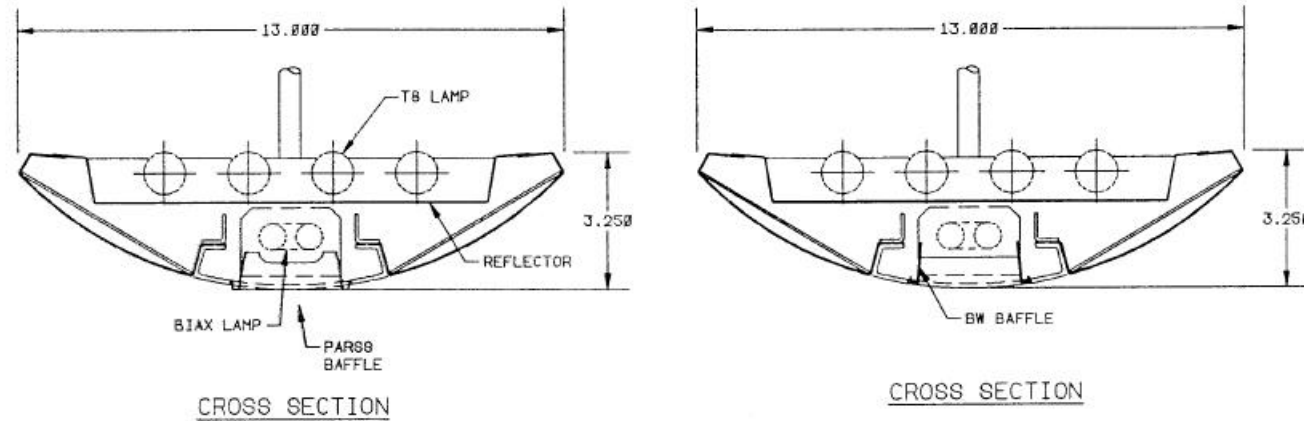
FIXTURE TYPE \_\_\_\_\_

P-ID-5000  
CLASSICA

P/C 510336-3000

PG. 1 OF 2

DO NOT MODIFY OR ALTER THIS PRODUCT IN ANY WAY, OR INSTALL IN ANY FASHION WHICH IS CONTRARY TO THE INSTRUCTIONS CONTAINED HEREIN. IF YOU HAVE ANY QUESTIONS REGARDING THIS PRODUCT OR THE INSTALLATION OF IT, PLEASE CALL LITECONTROL ENGINEERING AT 781-294-0100.



**GENERAL:** (READ SHEET COMPLETELY BEFORE STARTING.)

LEAVE PROTECTIVE SHIPPING INSERTS AND WRAPPING MATERIAL ON FIXTURE UNTIL FIXTURES ARE MOUNTED:

**INSTRUCTIONS:**

1. PEEL BACK FOAM WRAP FROM END OF FIXTURE. REMOVE REFLECTOR(S) FROM FIXTURE BY REMOVING SHEET METAL SCREWS AND LIFTING REFLECTOR(S) OUT. REMOVE HARDWARE POLYBAG FROM FIXTURE.

2. REMOVE THE (2) SHEET METAL SCREWS HOLDING THE SOCKET PLATE ASSY'S AND SLIDE TO ONE SIDE.

THESE STEPS WILL ALLOW EASY ACCESS FOR PENDANT MOUNTING. END CAP INSTALLATION AND ROW ATTACHMENT OF FIXTURES.

3. **MOUNTING INDIVIDUAL FIXTURES:**  
(PENDANTS ARE SHIPPED SEPARATELY)

A. LOCATE PENDANTS (STEMS OR AIRCRAFT CABLES) ALONG A STRAIGHT LINE IN CEILING PER DIMENSIONS SHOWN IN SIDE ELEVATION VIEW ABOVE.

B. REMOVE A 5/8" K.O IN SUPPORT BRACKET FOR WIRE FEED IF AIRCRAFT CABLES ARE BEING USED TO HANG FIXTURE OR FEED MAY BE RUN INSIDE STEMS WHEN THEY ARE USED.

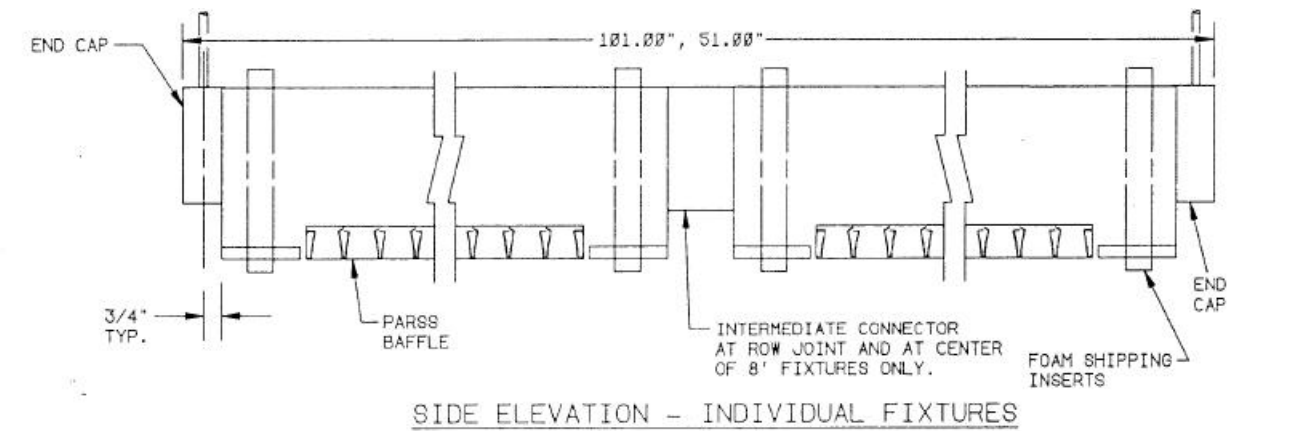
C. THREAD A LOCKNUT AND A FLAT STRAP ONTO STEM OR CABLE STUD AND SLIDE STRAP UNDERNEATH SUPPORT BRACKET. LOOSELY FASTEN STRAP THRU SLOTS IN BRACKET WITH (1) #8-32 X 3/8" LONG MACHINE SCREW. REPEAT THIS STEP AT OPPOSITE END OF FIXTURE.

D. LIFT FIXTURE UP AND MOUNT PENDANTS TO CEILING. BRING WIRE FEED INTO FIXTURE AND MAKE CONNECTIONS.

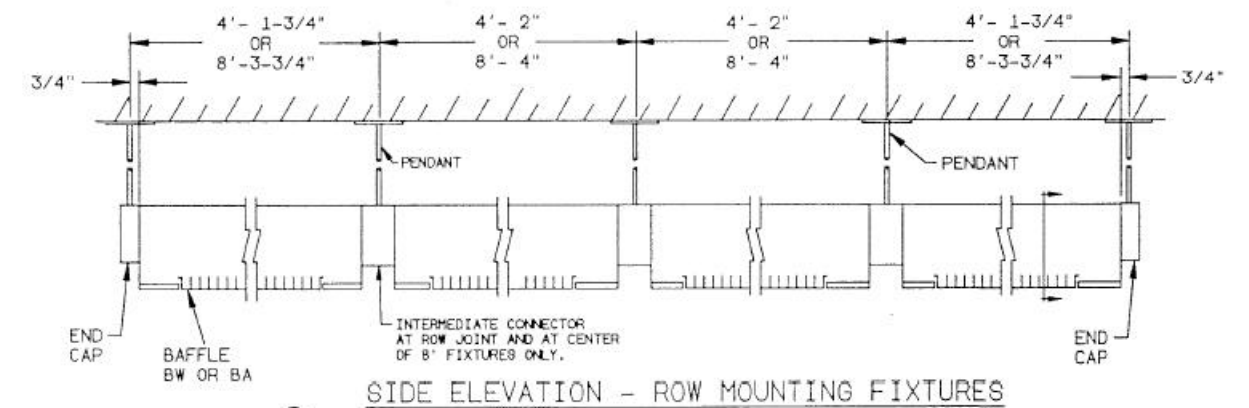
E. ATTACH AN END CAP (SHIPPED SEPARATELY) TO BOTH ENDS OF FIXTURE BY INSERTING END CAPS STUDS THRU HOLES IN END HEADERS. SECURE WITH (4) #8-32 HEX NUTS MAKING SURE CAPS ARE FLUSH WITH ENDS OF HOUSING.

F. LEVEL FIXTURE UP OR DOWN BY THREADING STEMS OR CABLE STUDS INTO FLAT STRAPS. LEVEL FIXTURE HORIZONTALLY BY SLIDING FLAT STRAPS FROM SIDE TO SIDE. TIGHTING ALL LOCKNUTS AND #8-32 MACHINE SCREWS AFTER FIXTURES ARE LEVEL.

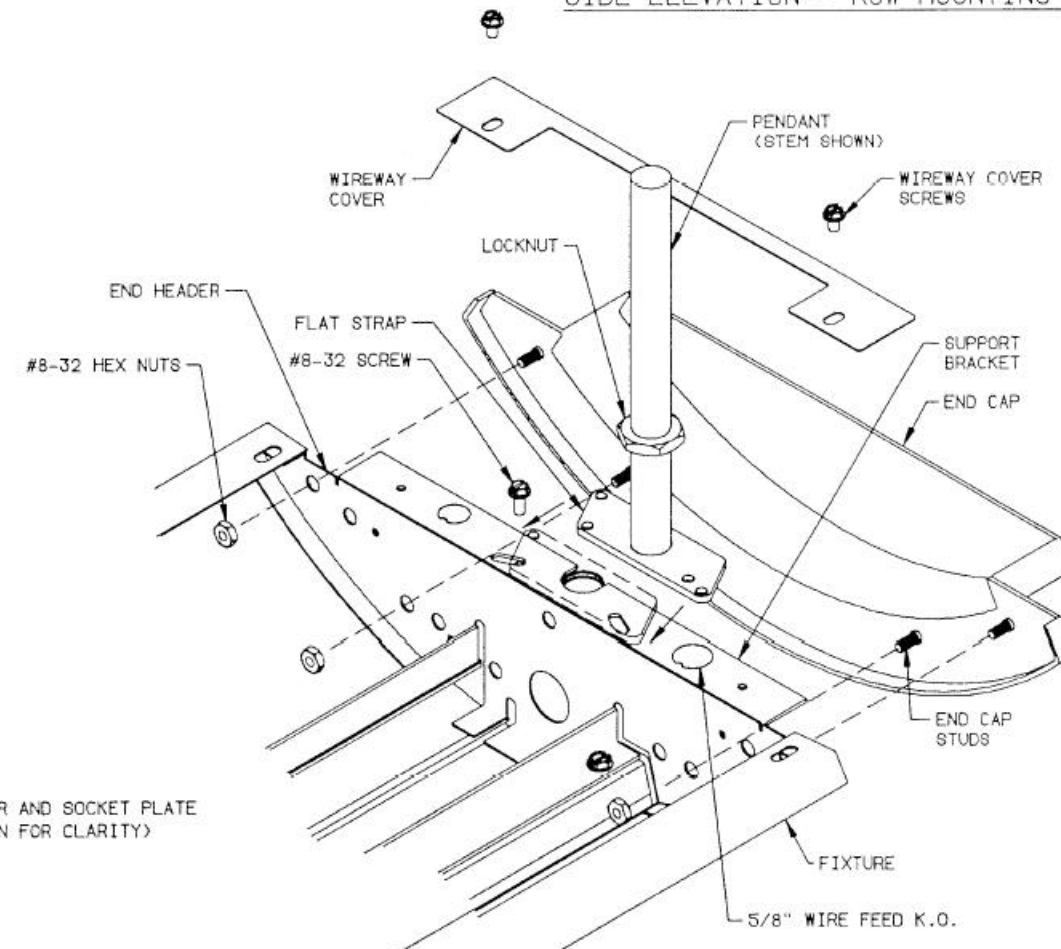
GO TO STEP 6 ON PAGE 2.



SIDE ELEVATION - INDIVIDUAL FIXTURES

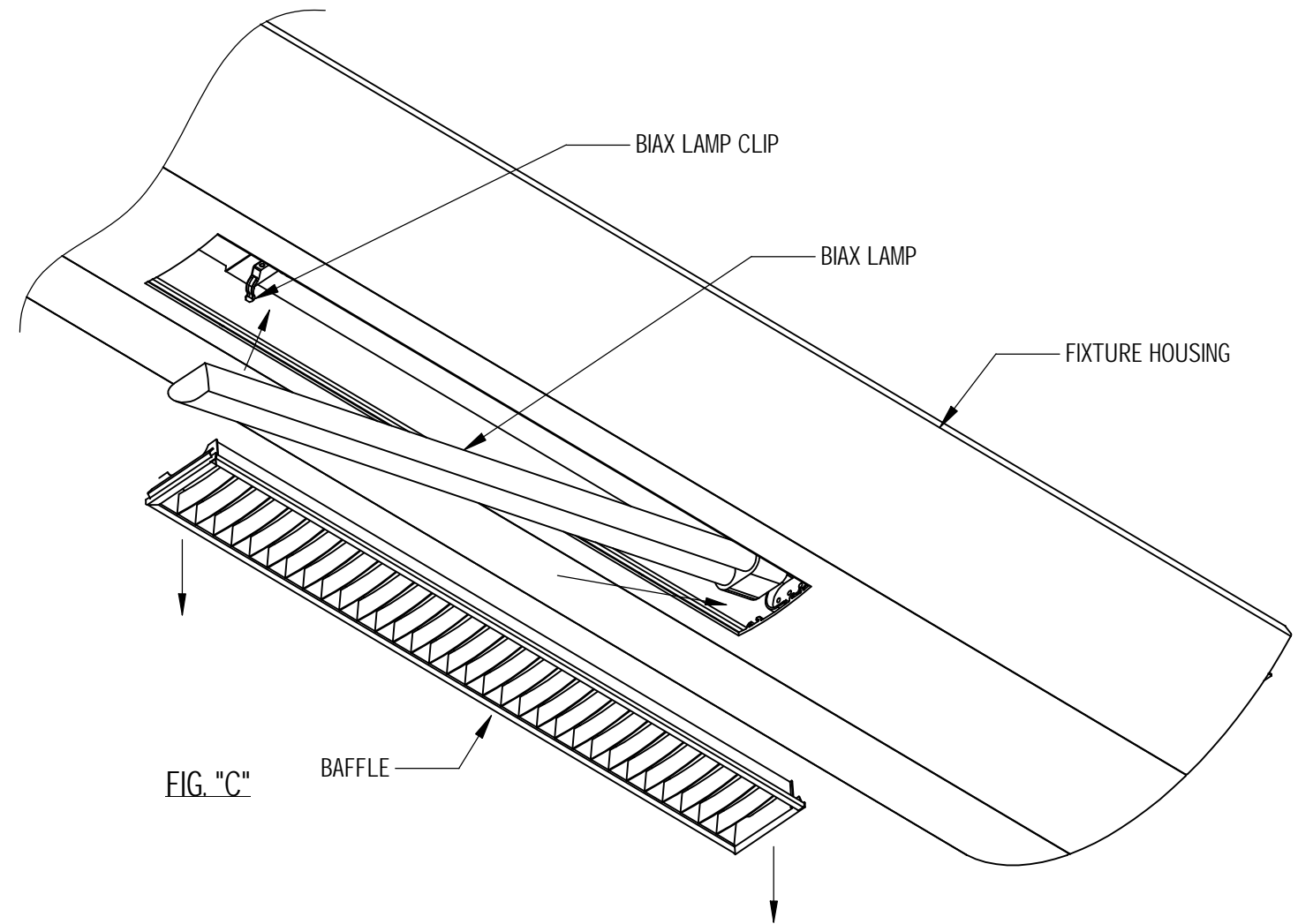
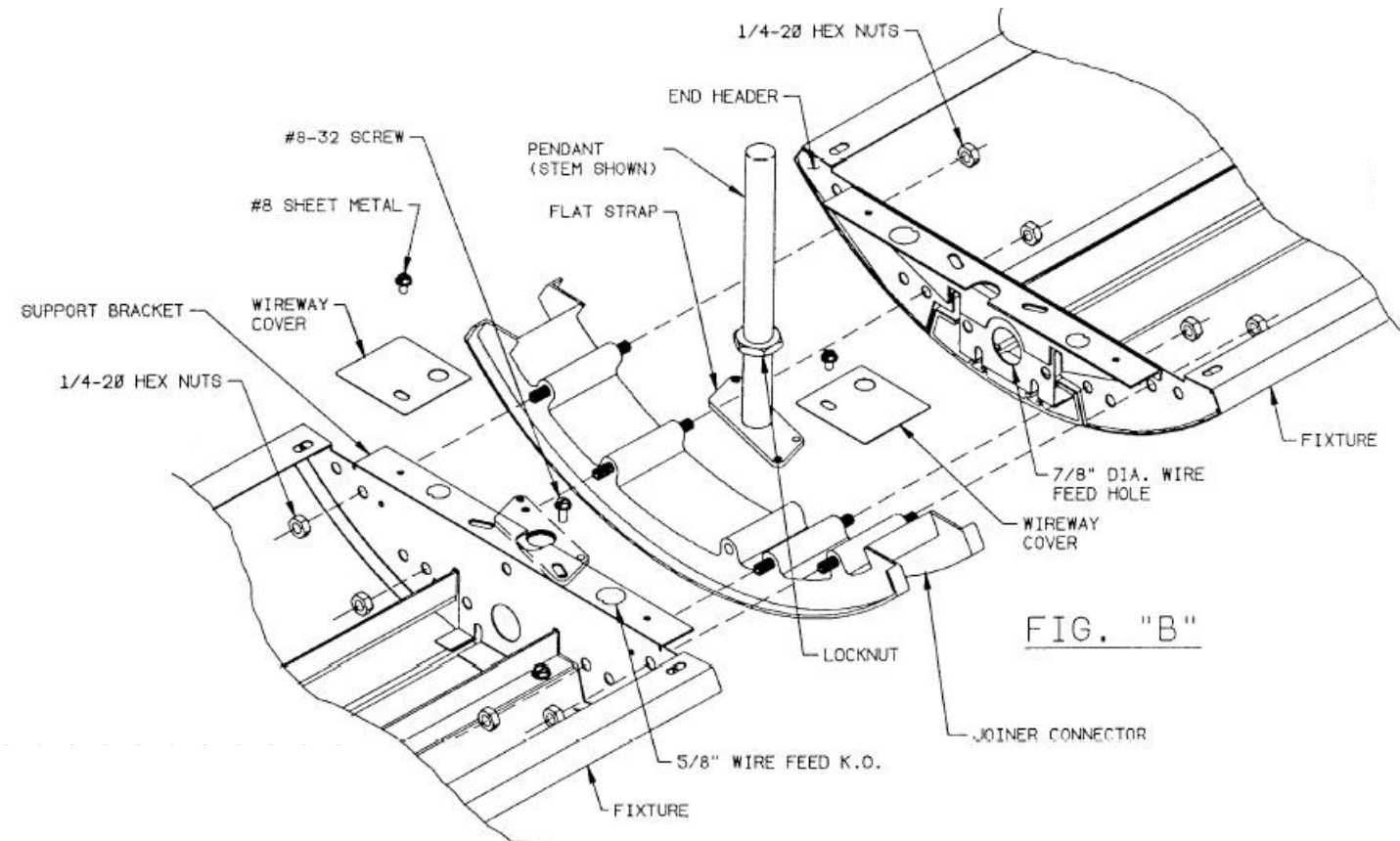


SIDE ELEVATION - ROW MOUNTING FIXTURES



(REFLECTOR AND SOCKET PLATE NOT SHOWN FOR CLARITY)

DO NOT MODIFY OR ALTER THIS PRODUCT IN ANY WAY, OR INSTALL IN ANY FASHION WHICH IS CONTRARY TO THE INSTRUCTIONS CONTAINED HEREIN. IF YOU HAVE ANY QUESTIONS REGARDING THIS PRODUCT OR THE INSTALLATION OF IT, PLEASE CALL LITECONTROL ENGINEERING AT 781-294-0100.



INSTRUCTIONS CONTINUED:

5. ROW MOUNTED FIXTURES

A. LOCATE PENDANT POSITIONS ON CEILING PER "SIDE ELEVATION" ON PAGE 1.

NOTE: IT IS IMPORTANT THAT THE PENDANTS BE LOCATED ALONG A STRAIGHT LINE.

B. STARTING WITH FIXTURE AT ONE END OF ROW, ATTACH A FLAT STRAP UNDERNEATH THE SUPPORT BRACKET PER STEP 3C ON PAGE 1.

C. REMOVE A 5/8" KO IN SUPPORT BRACKET FOR WIRE FEED IF AIRCRAFT CABLES ARE BEING USED TO HANG FIXTURES. FEED MAY BE RUN INSIDE STEMS WHEN THEY ARE USED.

D. AT OPPOSITE END OF THIS FIXTURE, LOOSELY MOUNT A FLAT STRAP UNDERNEATH THE SUPPORT BRACKET WITH (1) #8-32 X 3/8" LONG MACHINE SCREW AS SHOWN IN FIG "B". POSITION FLAT STRAP SO THAT IT PROJECTS OUT OF END OF FIXTURE. LOOSELY ATTACH JOINER CONNECTOR TO FIXTURE USING (4) 1/4-20 HEX NUTS SUPPLIED IN POLYBAG (REFER TO INSTRUCTION SHEET B510304). (NOTE: JOINER CONNECTOR(S) FOR ROW JOINTS ARE SHIPPED SEPARATELY) THREAD A LOCKNUT ONTO PENDANT AND THREAD PENDANT INTO FLAT STRAP.

E. LIFT FIXTURE AND MOUNT PENDANTS TO CEILING. LEVEL FIXTURE BY ADJUSTING LOCKNUTS.

F. ATTACH A FLAT STRAP, JOINER CONNECTOR, LOCKNUT AND PENDANT TO ONE END OF THE 2<sup>ND</sup> FIXTURE IN THIS ROW PER STEP D.

G. LIFT THE OPEN END OF THIS FIXTURE ONTO THE FLAT STRAP AND JOINER CONNECTOR OF THE FIRST FIXTURE AND MOUNT PENDANT END TO THE CEILING. GRASP PENDANT AND ROTATE FLAT STRAP UNTIL DIAGONAL MOUNTING HOLE ALIGNS UNDERNEATH SUPPORT BRACKET SLOT OF THE 2<sup>ND</sup> FIXTURE. SECURE WITH (1) #8-32 MACHINE SCREW.

H. LOOSELY ATTACH FIXTURE TO JOINER CONNECTOR USING (4) 1/4-20 HEX NUTS SUPPLIED IN POLYBAG.

LEVEL FIXTURES UP OR DOWN BY THREADING STEMS OR CABLE STUDS INTO FLAT STRAPS: LEVEL FIXTURES HORIZONTALLY BY SLIDING FLAT STRAPS FROM SIDE TO SIDE.

J. REPEAT STEPS F, G & H FOR EACH ADDITIONAL FIXTURE IN ROW.

LEVEL ROW AND ALIGN SEAMS AT EACH JOINT BEFORE TIGHTENING ALL SCREWS AND NUTS.

6. WIRE FEED MAY BE BROUGHT INTO ADJACENT FIXTURES THRU 7/8" HOLES IN END HEADERS.

7. REMOVE ALL SHIPPING INSERTS AND FOAM WRAPPING MATERIAL FROM FIXTURES.

8. REPLACE SOCKET PLATE ASSEMBLY'S AND REFLECTOR'S AND ATTACH WIREWAY COVERS.

9. INSTALL T8 LAMPS (BY OTHERS).

10. REMOVE BAFFLE BY PULLING STRAIGHT DOWN ON BAFFLE BLADES. INSTALL BIAx LAMP (BY OTHERS) BY INSERTING LAMP PINS INTO SOCKET AND SNAPPING OPPOSITE END INTO LAMP CLIP. REPLACE BAFFLE BY SNAPPING INTO OPENING. (REFER TO FIG. "C")

11. CLEAN EXTERIOR SURFACES OF FIXTURE(S) WITH A GENERAL WINDOW CLEANER.