

INSTALLATION INSTRUCTIONS

PART No. **510345-1000**

CONNECTOR TYPE _____

SYSTEM CONNECTORS
W-AI-5600/5500

Pg. 1
OF 1

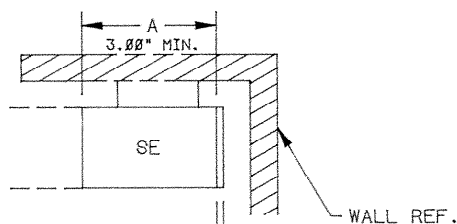
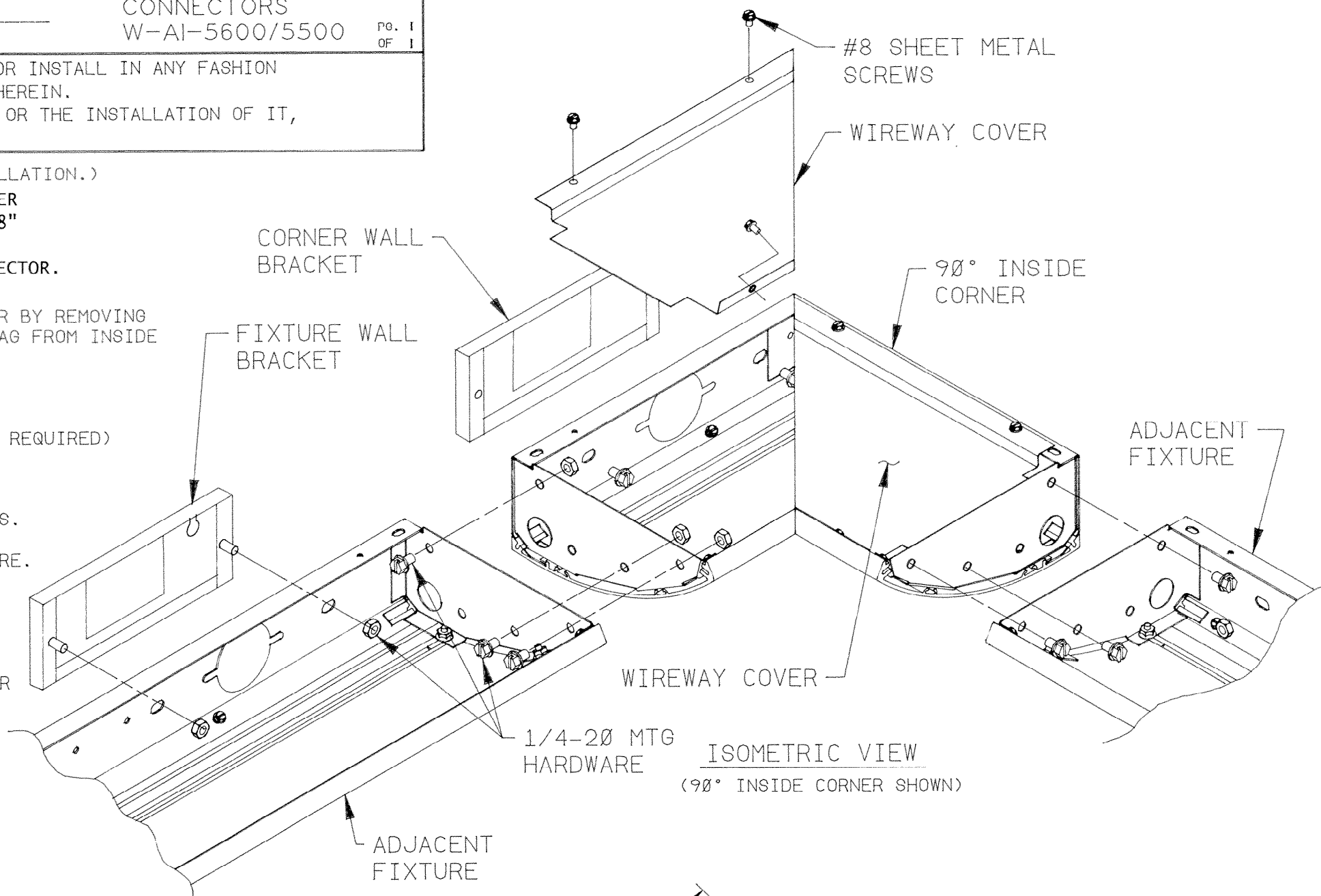
DO NOT MODIFY OR ALTER THIS PRODUCT IN ANY WAY, OR INSTALL IN ANY FASHION WHICH IS CONTRARY TO THE INSTRUCTIONS CONTAINED HEREIN. IF YOU HAVE ANY QUESTIONS REGARDING THIS PRODUCT OR THE INSTALLATION OF IT, PLEASE CALL LITECONTROL ENGINEERING AT 781-294-0100

INSTRUCTIONS: (READ ALL INSTRUCTIONS BEFORE INSTALLATION.)

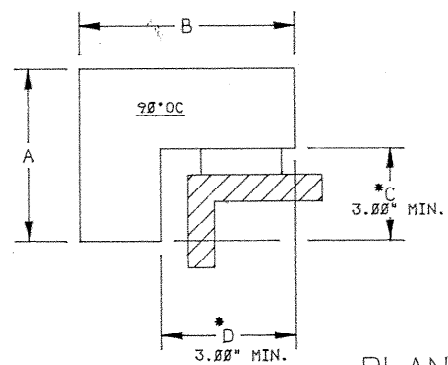
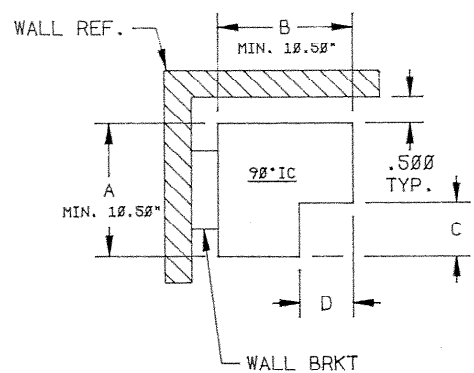
1. ONE WALL BRACKET IS REQUIRED WHEN A LEG OF CORNER OR SE EXCEEDS 10-1/2" AND TWO WHEN SE EXCEEDS 18" WALL BRACKETS ARE SHIPPED SEPARATELY AND ARE INSTALLED PRIOR TO MOUNTING SYSTEM CONNECTOR. REFER TO INSTRUCTION SHEET B510342-0.
2. REMOVE WIREWAY COVER(S) FROM SYSTEM CONNECTOR BY REMOVING #8 SHEET METAL SCREWS. REMOVE HARDWARE POLYBAG FROM INSIDE OF CONNECTOR.

MOUNTING SYSTEM CONNECTORS

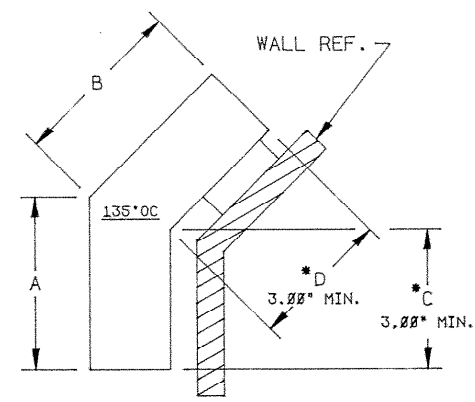
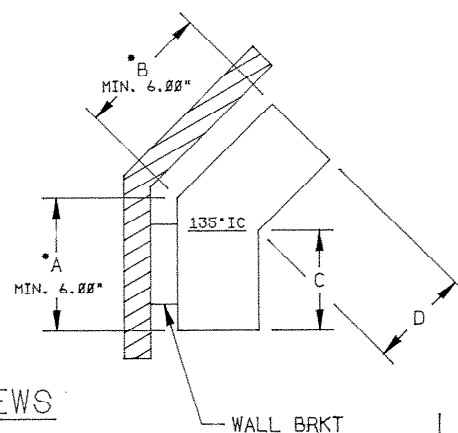
- A. LIFT SYSTEM CONNECTOR ONTO WALL BRACKET (WHEN REQUIRED) AND ATTACH LOOSELY USING 1/4-2Ø SCREWS.
- B. ATTACH ENDS OF SYSTEM CONNECTOR LOOSELY TO ADJACENT FIXTURES USING 1/4-2Ø SCREWS AND NUTS. LEVEL CONNECTOR, ALIGN RADIAL EDGES WITH ADJACENT FIXTURES AND TIGHTEN MOUNTING HARDWARE.
- C. REPLACE WIREWAY COVERS
- D. REPEAT STEPS A-C FOR ALL OTHER CONNECTORS.
- E. CLEAN EXTERIOR SURFACES WITH A GENERAL CLEANER (I.E. WINDEX.).



ADD .075" WHEN ADDING AN END CAP TO EXTENSION.



PLAN VIEWS



LITECONTROL 100 HAWKS AVENUE - PO BOX 100 - HANSON MA 02341,

* WHEN DIM. "A" FOR SE'S AND DIM. "A", "B", "C" OR "D" FOR CORNERS IS 10.500" OR GREATER ATTACH WITH (1) WALL BRKT.