

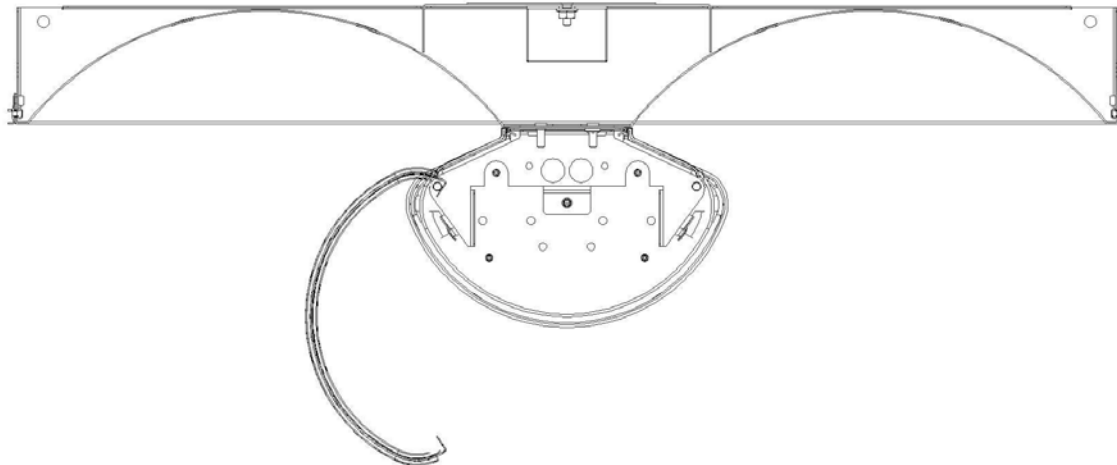
**Installation  
Instructions**

Fixture Type Litewave L4C

P110976

pg 1 of 3

Do not modify or alter this product in any way, or install in any fashion which is contrary to the instructions contained herein. If you have any questions regarding this product or the installation of it, please call litecontrol engineering at 781-294-0100.

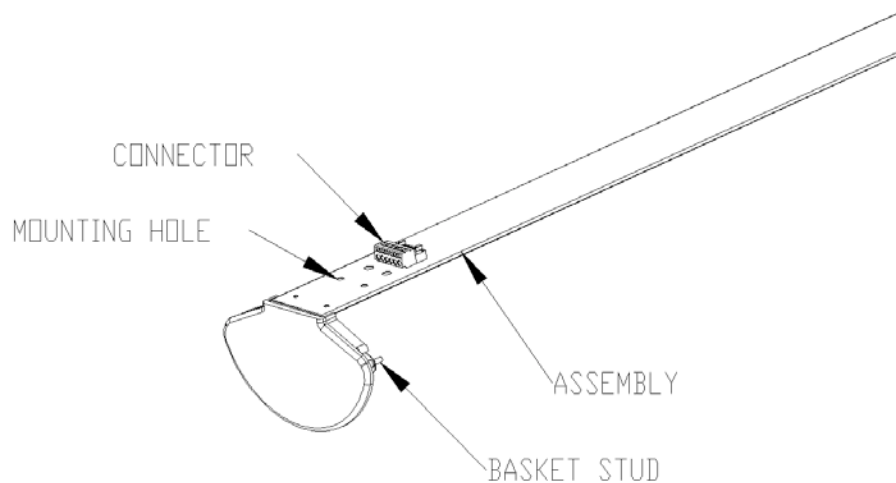


**General notes:**

- A) Read entire instruction sheet before installation.
- B) Fixtures are intended for installation in an exposed inverted t-bar grid ceiling.
- C) The fixture as provided in the carton is completely wired. It is shipped in (2) separate cartons; the first portion is installed above the ceiling grid, while the second portion is attached to the first portion from below the ceiling. Ballast line leads and grounding conductor have been brought out through the opening in the top of the fixture and taped underneath the access cover plate.
- D) ¼" dia holes have been provided on the end headers at the upper (4) corners of the fixture for installation of supplementary chain or wire support as may be required by local codes.
- E) This fixture must be installed in strict accordance with the nec and all local codes.
- F) The reflector finish is impervious to dust and dirt in normal environments, and for most applications, dusting with a dry cloth is sufficient. Heavier soils or films usually may be removed with a non-detergent liquid soap solution followed by a clear water rinse. Strong alkaline or acid cleaners or harsh abrasives should not be used.

**Installation:**

1. Remove fixture from carton and packaging material: avoid handling reflector surfaces, as fingerprint smudges will need cleaning after installation.
2. Lift fixture diagonally through the opening above ceiling grid and rest it on the t-bars. Place bending tabs over t-bar so that fixture is secure from falling out of grid.
3. Loosen access cover screws and slide cover out thru keyholes. Remove a knockout in cover and attach the flexible conduit feed (by e.c.). Remove tape holding fixture wires and make wiring connections. Carefully push wire connections back into housing and re-install access cover.
4. Remove drop basket assembly from carton (shipped separately) and temporarily remove just the basket by gently spreading the basket and lifting over studs located at upper (4) corners. The remainder of this assembly will be attached to the portion of the fixture that has already been installed in the ceiling by removing the (4) hex nuts located near the ends of the fixture. Before installation orient the assembly so that the wire color of the male/female wire connector match those within the fixture, firmly secure these, and carefully push the additional wire up into the wire way ensuring that it is not pinched when attaching this onto studs with the (4) hex nuts previously removed.



5. Lamp installation: (lamps provided by others) install lamps before replacing baskets.

