

**INSTALLATION INSTRUCTIONS**

FIXTURE TYPE \_\_\_\_\_

**DIFFUSER INSTALLATIONS**

P/C **510535-1000**

DATE: 9-10-07

PG. 1 OF 1

DO NOT MODIFY OR ALTER THIS PRODUCT IN ANY WAY, OR INSTALL IN ANY FASHION WHICH IS CONTRARY TO THE INSTRUCTIONS CONTAINED HEREIN. IF YOU HAVE ANY QUESTIONS REGARDING THIS PRODUCT OR THE INSTALLATION OF IT, PLEASE CALL LITECONTROL ENGINEERING AT 781-294-0100.

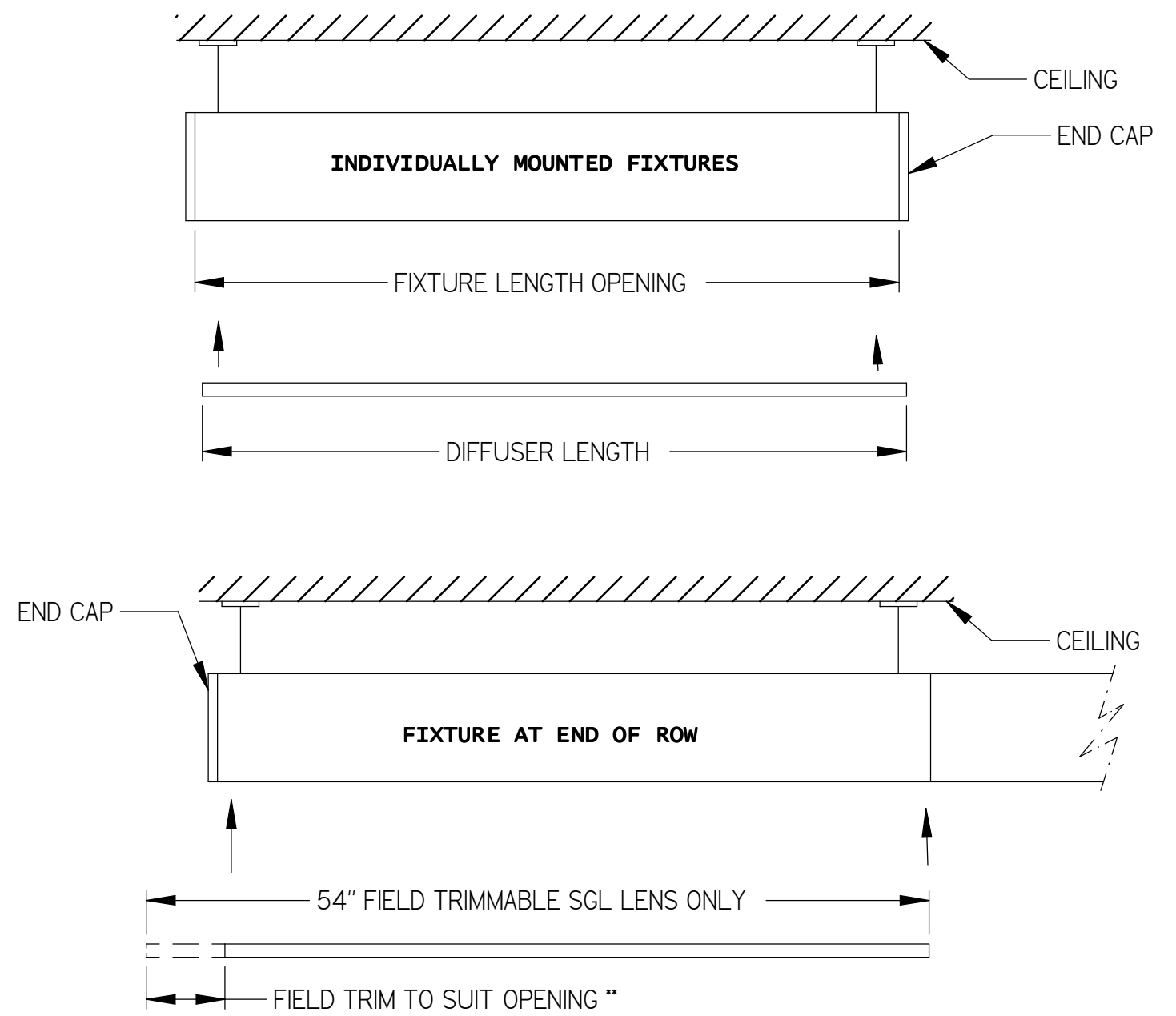
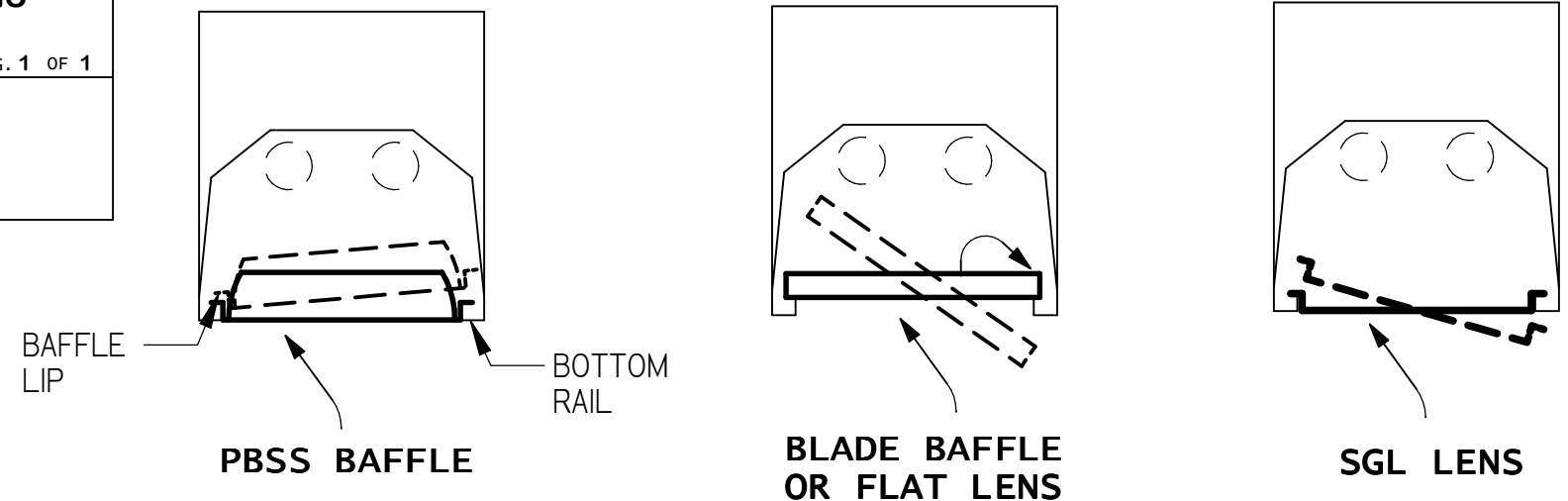
**GENERAL NOTES: (READ SHEET COMPLETELY BEFORE STARTING)**

- Diffusers are installed after fixtures have been mounted and lamps inserted into sockets. Refer to fixture Installation Instructions.
- Diffusers are shipped separately from fixtures and are provided in different lengths to suit the type of the fixture. Refer to table below for dimensions.

**DIFFUSER INSTALLATION: See Views**

Use caution when installing diffusers to prevent lamp damage.

- PARABOLIC BAFFLES (PBSS or PBCWM) are shifted into fixture opening and lowered into place by pulling down on baffle until lip sits on top edge of bottom rails
- FLAT LENSES and BLADE BAFFLES are shifted into fixture opening and rest on top edge of bottom rails. Lenses are installed with the smooth side up.
- SGL LENSES are shifted into fixture opening and rest on top edge of bottom rails. These lenses are supplied with one additional 54" long piece that is field cut to fill in the last section of lens in each row, (see view). After all other lenses have been installed and butted end to end, measure remaining opening and cut this lens with table saw to suit. These lenses may expand in length under hot air conditions and may cause the lense to bow upward towards lamp, this can be corrected by trimming off 1/8" from end of lense to allow for heat expansion.



**DIFFUSER TYPE AND LENGTH TABLE**

FIXTURE OPENING	DIFFUSER TYPE*				QTY PER FIXTURE
	PBSS	BW BLADE	FLAT LENS	SGL LENS	
23.500	23.312	23.125	23.031	23.312	1
23.750	23.562	23.500	23.406	54.000**	1
24.000	23.812	23.812	23.844	23.875	1
35.500	35.312	35.125	35.031	35.312	1
35.750	35.562	35.500	35.406	54.000**	1
36.000	35.812	35.512	35.844	35.875	1
47.500	47.312	47.125	47.031	47.312	1
47.750	47.562	47.500	47.406	54.000**	1
48.000	47.812	47.812	47.844	47.875	1
71.500	35.562	35.500	35.406	71.312	1/SGL, 2/ALL OTHERS
71.750	35.562	35.500	35.406	35.875	1 OF BOTH LENGTHS
	35.812	35.812	35.844	54.000**	
72.000	35.812	35.812	35.844	71.875	1/SGL, 2/ALL OTHERS
95.500	47.562	47.500	47.406	95.312	1/SGL, 2/ALL OTHERS
95.750	47.562	47.500	47.406	95.562	1 OF BOTH LENGTHS
	47.812	47.812	47.844	54.000**	
96.000	47.812	47.812	47.844	95.875	1/SGL, 2/ALL OTHERS

\* LENGTH OF THE DIFFUSERS MAY VARY WITHIN 1/16"

\*\* THESE DIFFUSERS ARE FIELD CUT AND INSERTED INTO LAST FIXTURE IN ROW.