

INSTALLATION INSTRUCTIONS

**W-ID-4600
FIXTURE**

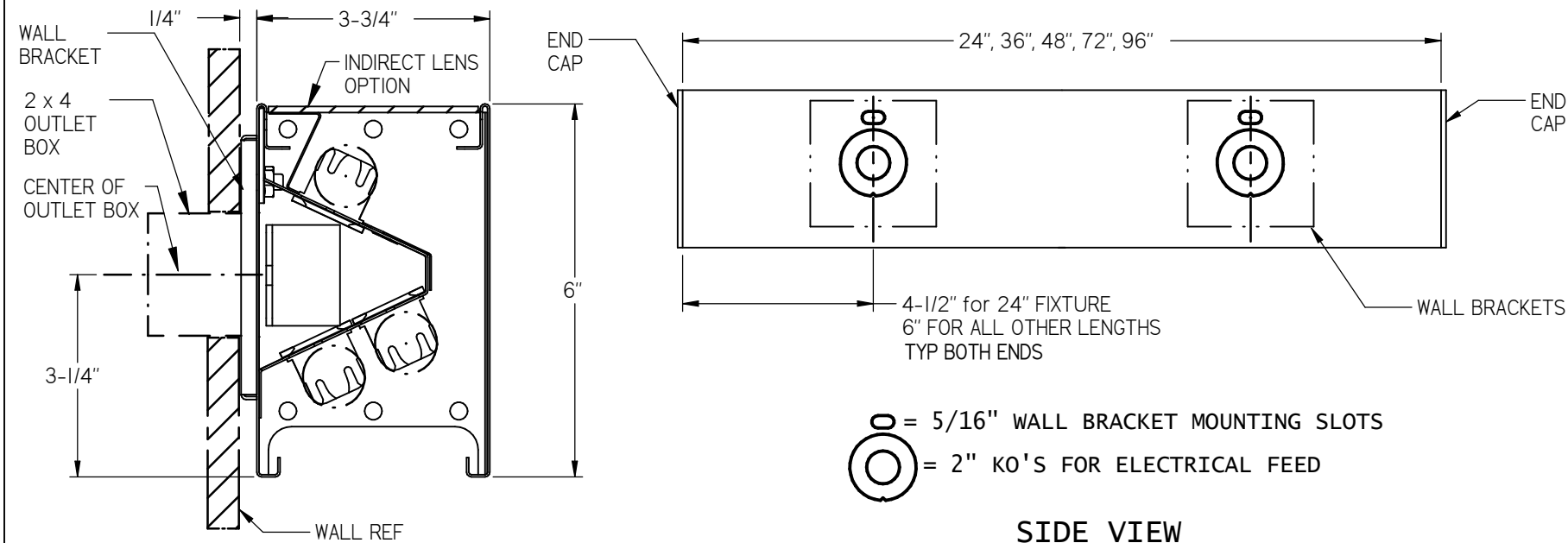
FIXTURE TYPE _____

P/C **510485-1000**

DATE: 1-10-06

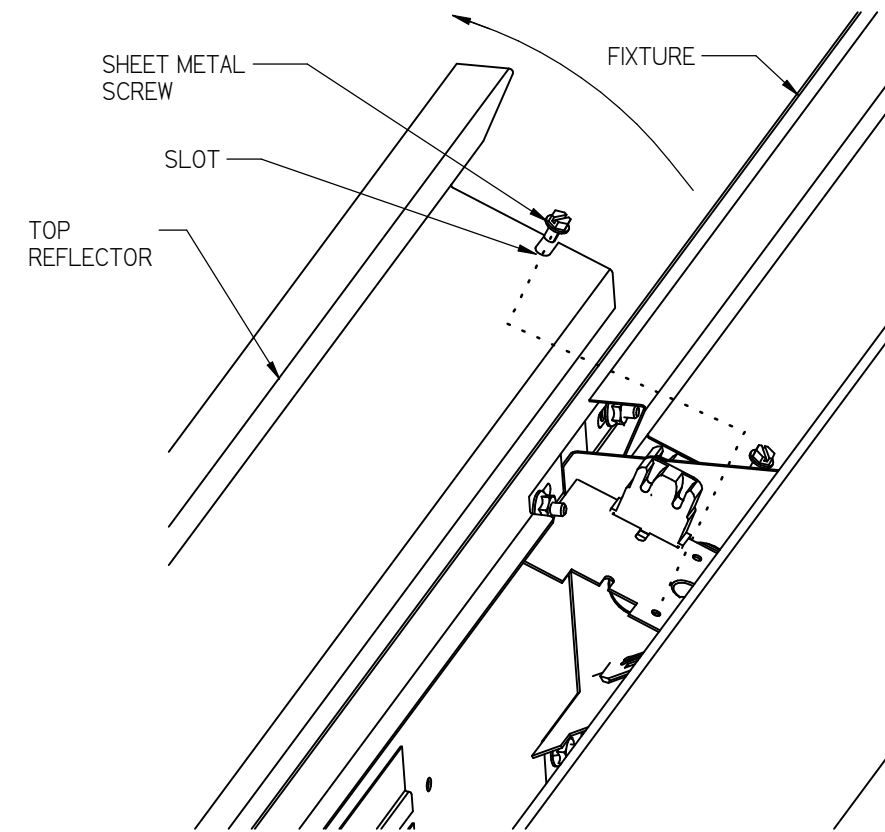
PG. 1 OF 2

DO NOT MODIFY OR ALTER THIS PRODUCT IN ANY WAY, OR INSTALL IN ANY FASHION WHICH IS CONTRARY TO THE INSTRUCTIONS CONTAINED HEREIN.
IF YOU HAVE ANY QUESTIONS REGARDING THIS PRODUCT OR THE INSTALLATION OF IT, PLEASE CALL LITECONTROL ENGINEERING AT 781-294-0100.



CROSS SECTION
3-LITE SHOWN

SIDE VIEW



VIEW A

GENERAL NOTES: (READ SHEETS COMPLETELY BEFORE STARTING)

1. Leave protective wrapping material on fixture until fixtures are mounted: This will protect finish from damage.
2. Fixtures are supplied with factory installed branch circuit wiring. Refer to supplemental instruction sheet for making connections.
3. Wall mounted fixtures are attached with wall brackets (shipped separately) over a finished wall surface.
Two brackets are required for each fixture.
Approximate weight of fixture is 5 lbs per foot of length.

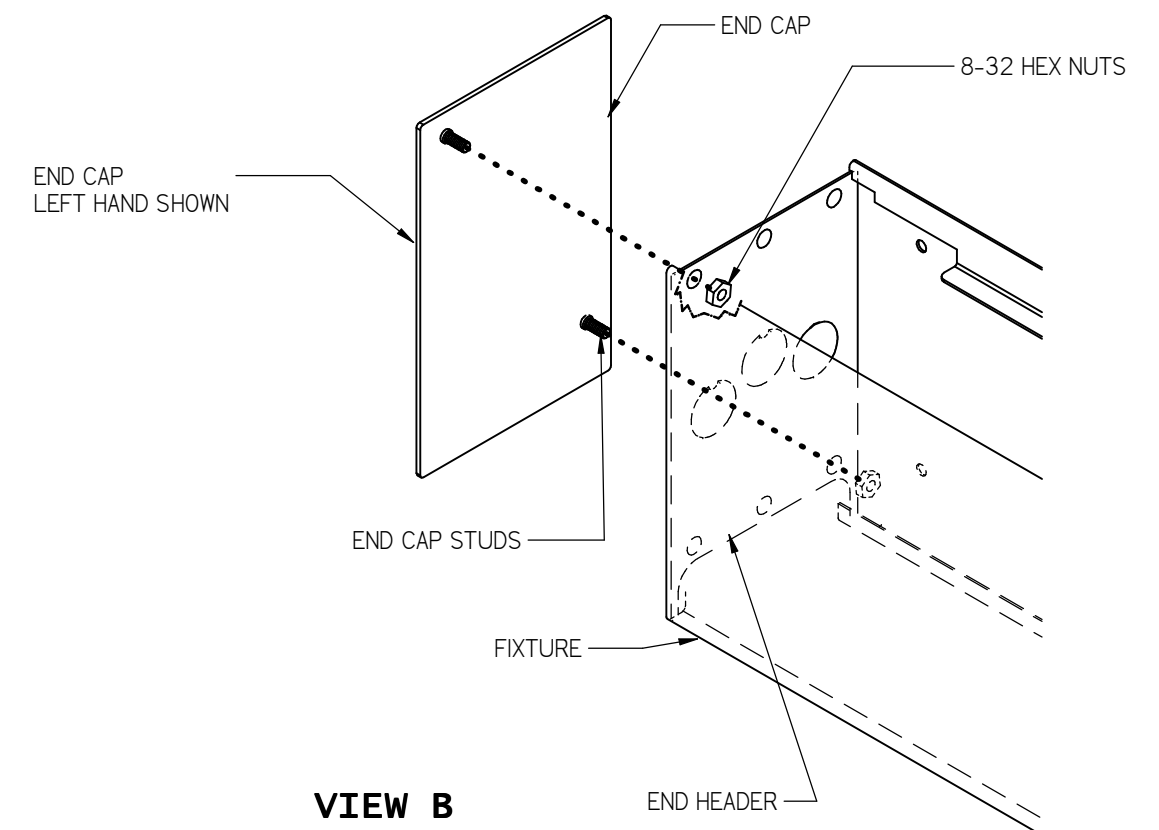
INSTRUCTIONS:

1. Remove Top Reflectors from fixture by loosening (2) sheet metal screws and shifting them out thru slots. See View "A".

2. MOUNTING INDIVIDUAL FIXTURES:

- A) Locate and install wall brackets per Side Views above and installation instruction sheet 510484 shipped with the wall brackets.
- B) Remove a 2 diameter" KO or use the 7/8" hole in center of KO at the outlet box location to bring in Electrical feed.
- C) Mount End Caps (shipped separately) to both ends of fixture with (2) 8-32 nuts as shown in View "B".
Before tightening nuts, position End Caps so they are flush with sides of fixture.
- D) Lift fixture up onto wall bracket studs and secure with 1/4-20 flange nuts provided.
See View "C" on page 2.
- E) Bring electrical feed into fixture wireway and make connections.

GO TO STEP 5 ON PAGE 2



VIEW B

INSTALLATION INSTRUCTIONS

FIXTURE TYPE _____

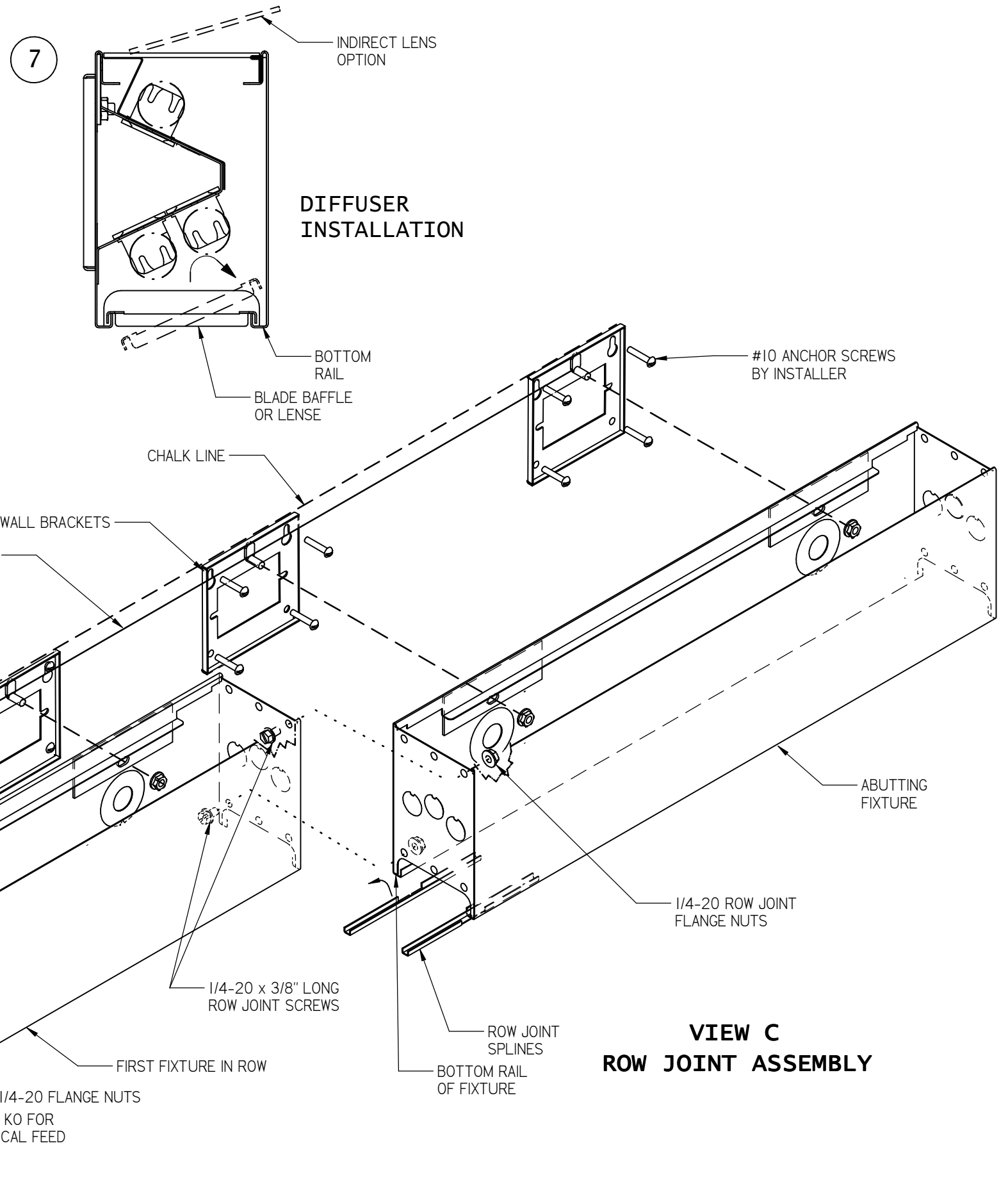
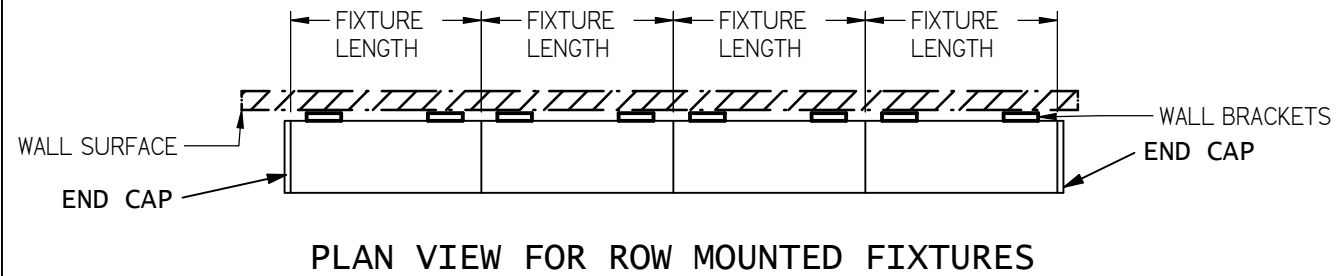
**W-ID-4600
FIXTURE**

P/C **510485-1000**

DATE: 1-10-06

PG. 2 OF 2

DO NOT MODIFY OR ALTER THIS PRODUCT IN ANY WAY, OR INSTALL IN ANY FASHION WHICH IS CONTRARY TO THE INSTRUCTIONS CONTAINED HEREIN.
IF YOU HAVE ANY QUESTIONS REGARDING THIS PRODUCT OR THE INSTALLATION OF IT, PLEASE CALL LITECONTROL ENGINEERING AT 781-294-0100.



3. MOUNTING ROWS OF FIXTURES: NOTE: Fixtures are installed connected to each other at row joint per steps below.

- A) Refer to Plan View above and Side Views on page 1 for locations of wall brackets and mount them to wall.
- B) Starting with the first fixture in row, remove a 2" KO for electrical feed and attach an End Cap to one end of fixture per steps 2B and 2C.
- C) Lift and install first fixture onto wall brackets and attach per step 2D and level fixture.
- D) Lift the next fixture in row onto its wall brackets; loosely bolt to brackets with flange nuts: See View "C". Bolt this fixture to the first fixture at row joint with (2) 1/4-20 x 3/8" long machine screws and nuts. Use the 2 diagonal mounting holes in end headers as shown for location of screws. Branch circuit wires can be brought thru 7/8" holes in end headers at each row joint.
- E) Press a Spline (found in polybag) into each bottom rail at row joint for alignment.
- F) Repeat steps 3D & 3E for each additional fixture in row. Level fixtures, align seams at row joints and tighten all wall bracket and row joint nuts. Install another End Cap onto the last fixture in the row before mounting to its wall brackets.

- 4. Make all wiring connections in fixture wireways.
- 5. Replace all Reflectors and remove all wrapping material.
- 6. Clean fixture exteriors with a general window cleaner. Install lamps (by others) by inserting lamp pins into sockets until they seat in place.

7. DIFFUSER INSTALLATION:

Use caution when installing diffusers to prevent lamp damage.

LENSES and BLADE BAFFLES are shifted into bottom fixture opening and rest on top of rails. Lenses are installed with the smooth side up.

For Indirect lens option, the lens sits on top of reflector and housing angle with the smooth side down.