

INSTALLATION
INSTRUCTIONS

W-AI-5500/LKS

FIXTURE TYPE: _____

P/C 500190-0000

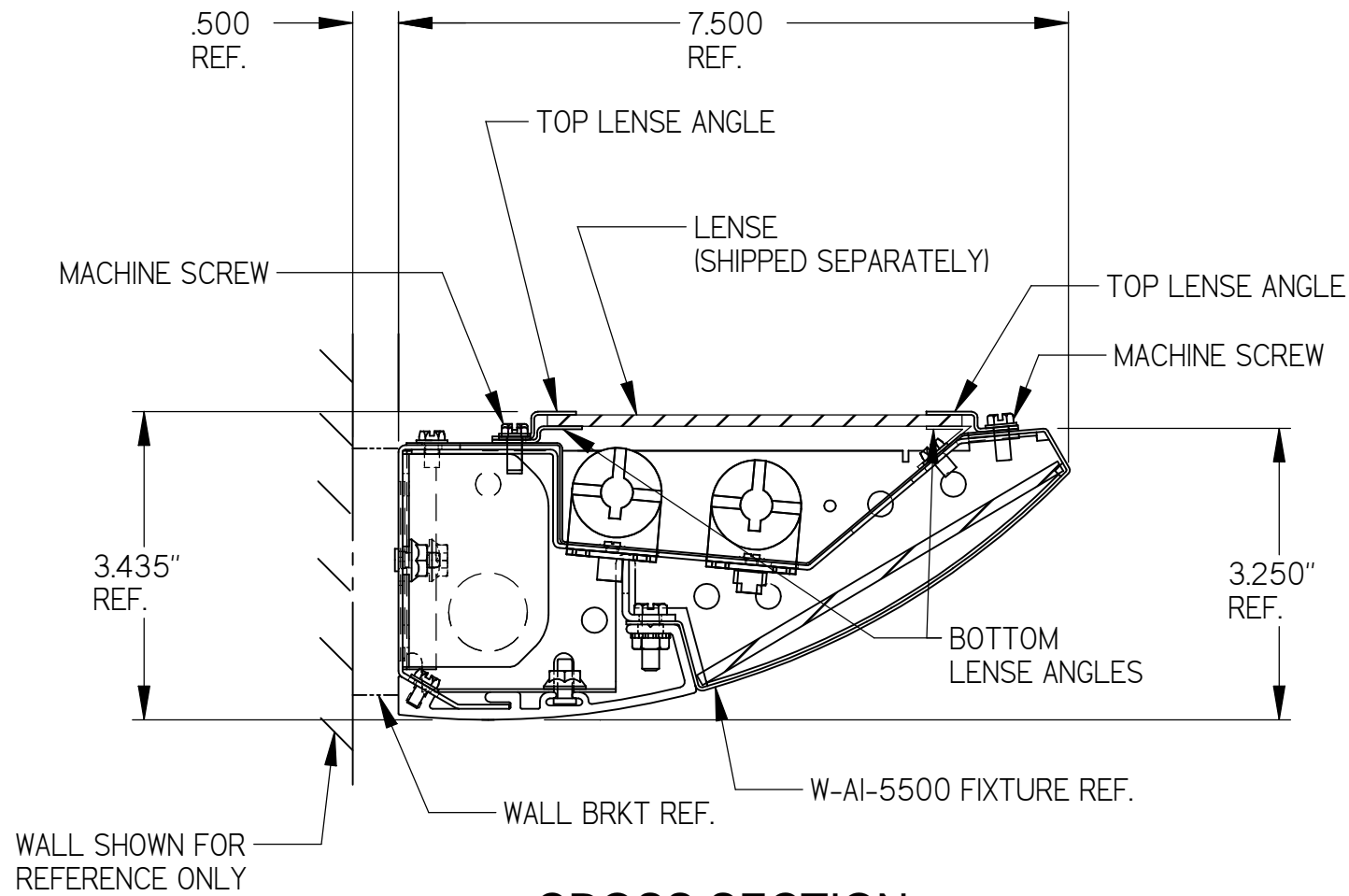
DATE: 10-25-06

PG. 1 OF 1

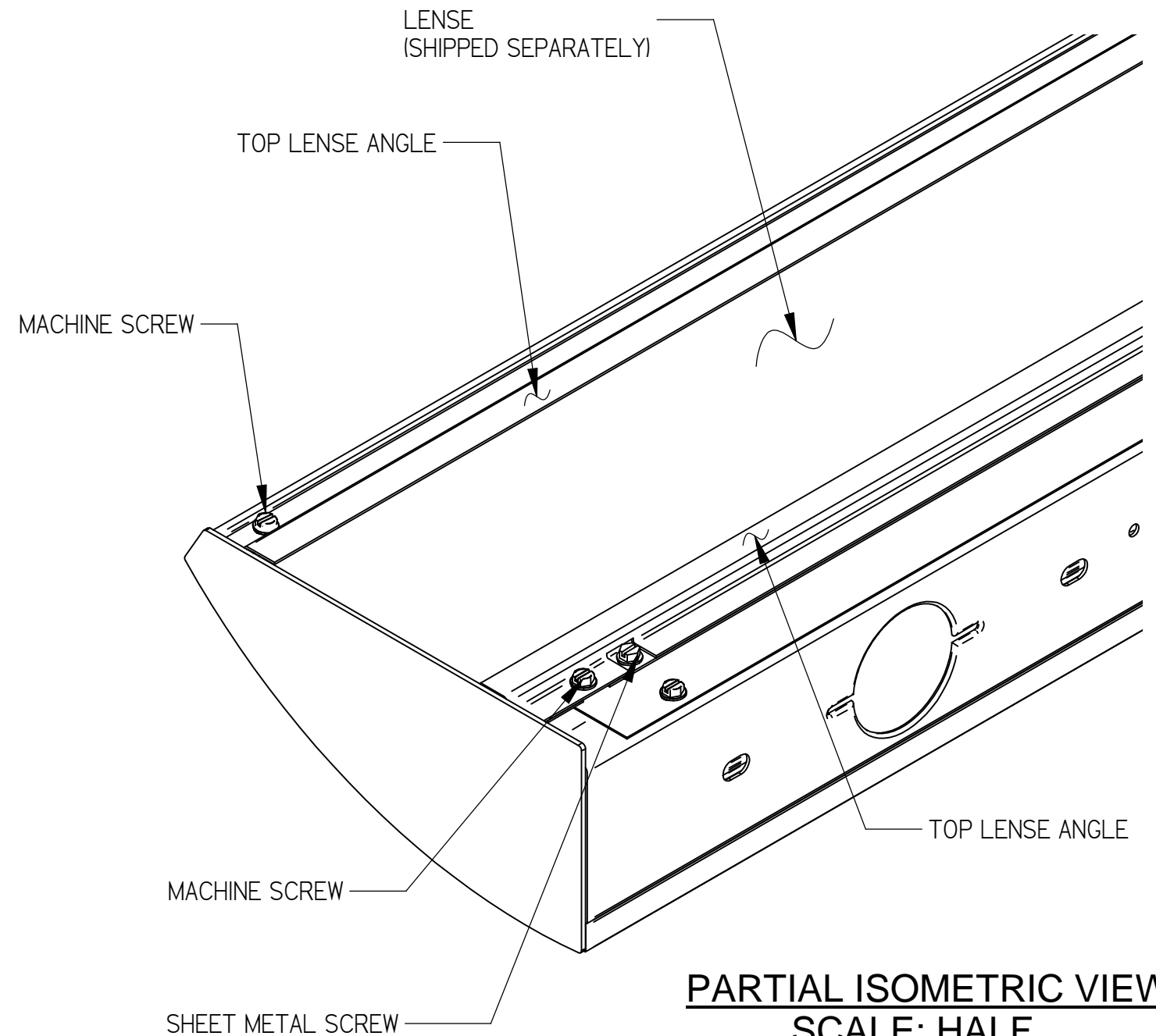
DO NOT MODIFY OR ALTER THIS PRODUCT IN ANY WAY, OR INSTALL IN ANY FASHION WHICH IS CONTRARY TO THE INSTRUCTIONS CONTAINED HEREIN.
IF YOU HAVE ANY QUESTIONS REGARDING THIS PRODUCT OR THE INSTALLATION OF IT, PLEASE CALL LITECONTROL ENGINEERING AT 781-294-0100.

INSTRUCTIONS:

1. REMOVE TOP LENSE ANGLES BY REMOVING MACHINE SCREWS.
2. PLACE LENSE ON BOTTOM LENSE ANGLES.
3. REPLACE TOP ANGLES AND MACHINE SCREWS.



CROSS SECTION
SCALE: HALF



PARTIAL ISOMETRIC VIEW
SCALE: HALF