

INSTALLATION INSTRUCTIONS

PART NO. **510088-1000**

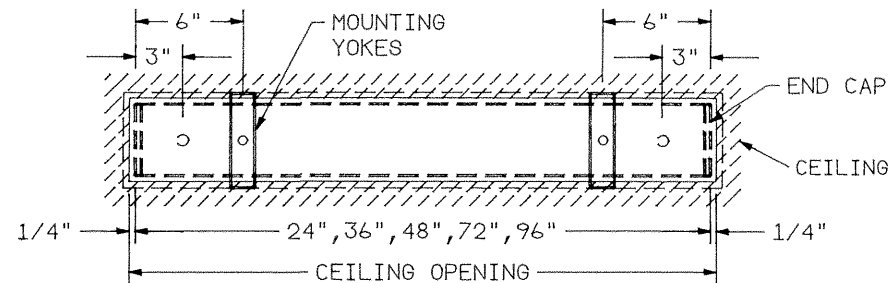
FIXTURE TYPE _____

MOUNTING YOKE ASSEMBLY

**R-D-66N00
R-D-86N00**

PG. 1 OF 1

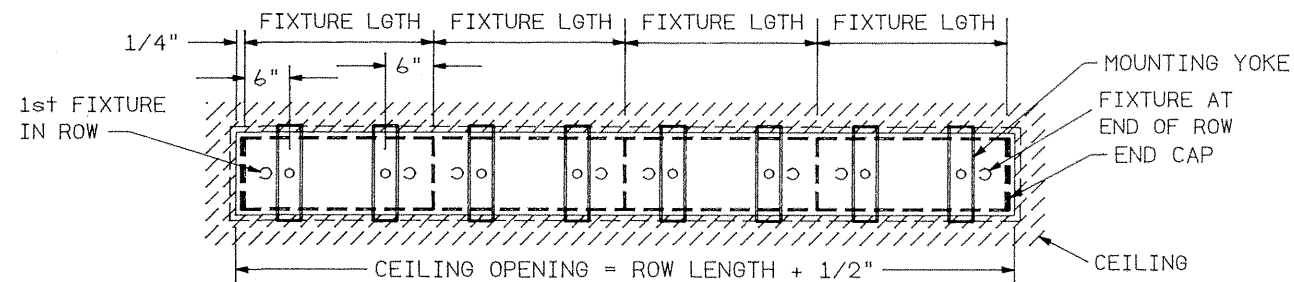
DO NOT MODIFY OR ALTER THIS PRODUCT IN ANY WAY, OR INSTALL IN ANY FASHION WHICH IS CONTRARY TO THE INSTRUCTIONS CONTAINED HEREIN. IF YOU HAVE ANY QUESTIONS REGARDING THIS PRODUCT OR THE INSTALLATION OF IT, PLEASE CALL LITECONTROL ENGINEERING AT 781-294-0100



PLAN VIEW - INDIVIDUAL FIXTURE

CEILING DEPTH DIM "A"	YOKE HEIGHT DIM "B"
1/2" to 1"	6-1/2"
1" to 1-1/2"	6"
1-1/2" to 2"	5-1/2"
2" to 2-1/2"	5"
2-1/2" to 3"	4-1/2"

○ = 5/8" DIA. MTG. YOKE KO'S
○ = 7/8" DIA. WIRE FEED KO'S



PLAN VIEW FOR ROW MOUNTED FIXTURES

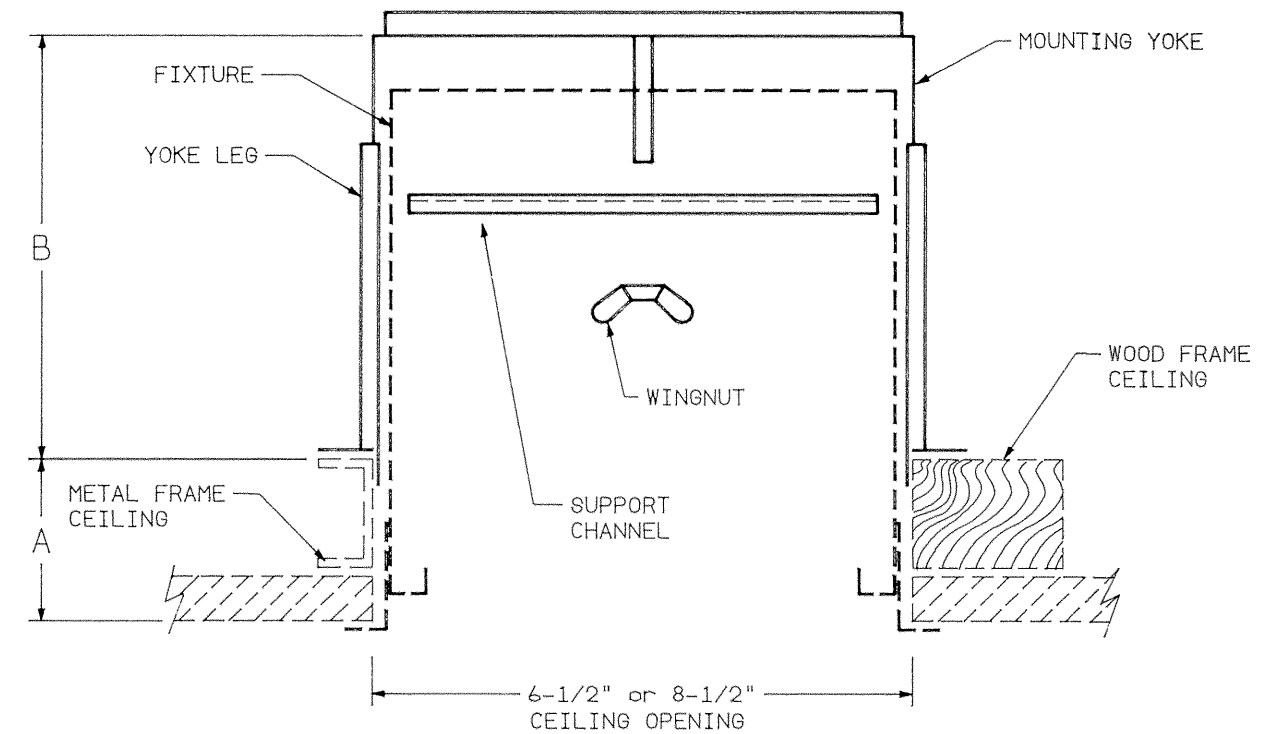
GENERAL NOTE: (READ SHEET COMPLETELY BEFORE STARTING)

This instruction sheet is used with fixture installation sheet No. 510076.

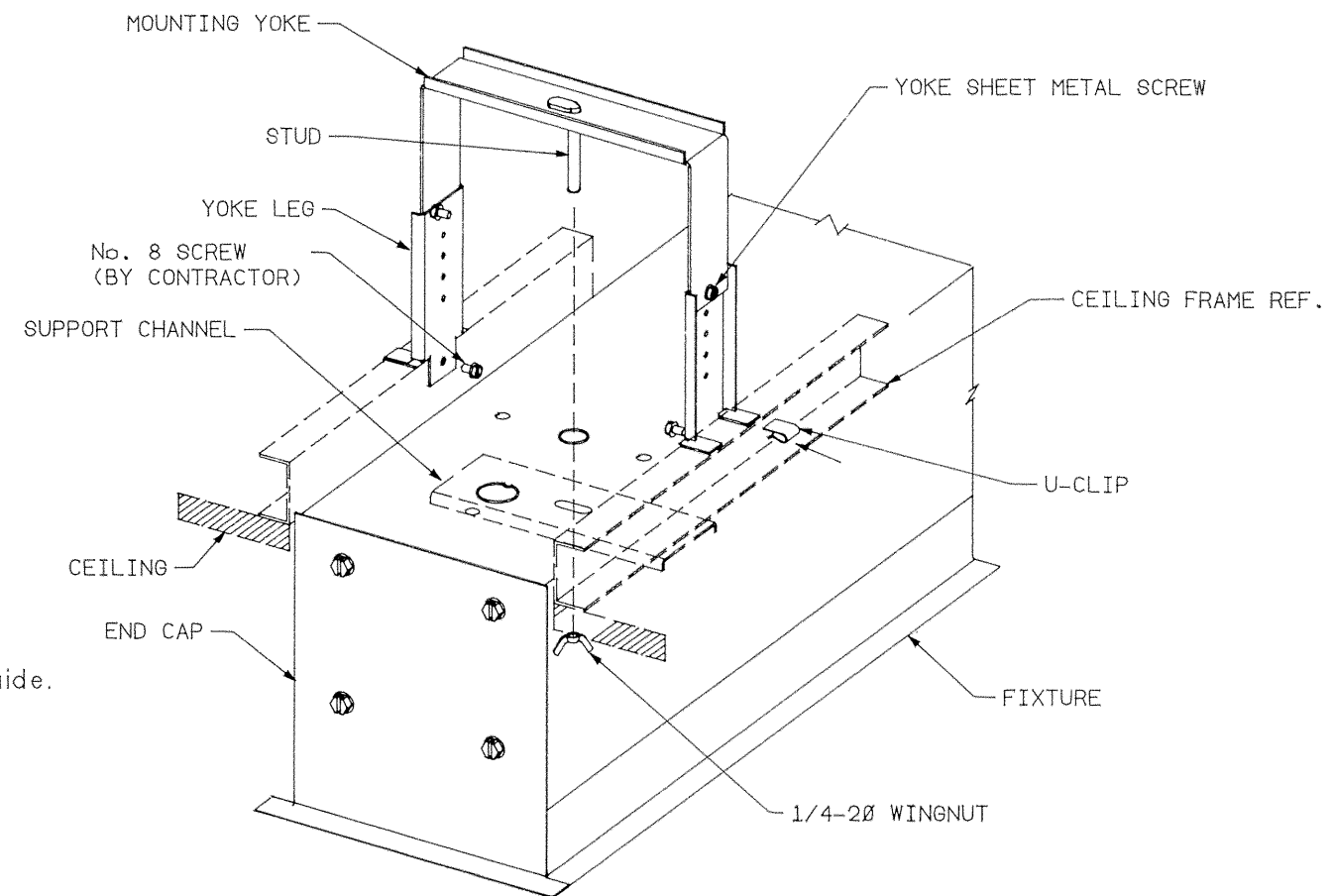
(2) Mounting Yokes are required to hang each fixture.

INSTRUCTIONS:

1. Adjust mounting yokes to height "B" (see chart above) based on ceiling depth "A". Each yoke leg has 5 holes and can be adjusted by removing its sheet metal screw to correct height.
2. Locate Mounting Yokes in ceiling opening as shown in Plan Views above. Secure Yoke Legs to ceiling metal frame or wood frame by drilling hole for a No. 8 mounting screw (supplied by others) using lower hole in Yoke Leg as a guide.
3. For metal frame ceilings, slide U-clips over edge of ceiling channel and bottom edge of each yoke leg.
4. Lift fixture up thru ceiling opening enough to attach Support Channels and Wingnuts from inside fixture onto mounting yoke studs; See View "X".



CROSS SECTION



VIEW "X"