

Mod 44

Recessed Wall/Wash

R-WWD-4400, RP-WWD-4400

Plaster, Drywall, Concealed Spline Ceilings
Recessed Flanged Wall Wash Direct

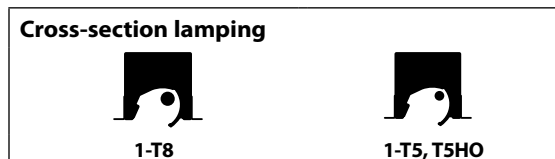
Product Description

A recessed flanged fixture with an optical system designed to provide uniform wall wash lighting. The WWD-4400 has a low-profile housing (nominally 4" x 4") and uses T8, T5 or T5HO lamping. The fixture can be row-configured for continuous run installations along a wall, and has an optional regressed lens that completely shields the lamp from view. UL Listed. This fixture is Cradle to Cradle Silver Certified^{GM} by MBDC.

Ordering Guide

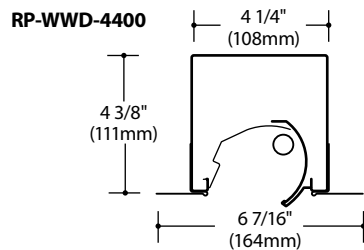
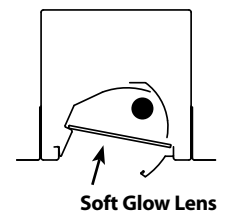
Product, Lamping & Length						Options				
R -	WWD -	44					CWM -			120
Mounting	Distribution	Series	Lamp Count	Nominal Length (ft)	Lamp Type	Diffuser	Finish	Ballast	Other options	Volts
R Recessed	WWD Wall Wash Direct	44	1 → 2 → see notes	2, 3, 4 6, 8	T8 T5 T5HO	-- SGL	CWM (Matte White) is standard	ELB10 is std. for T8 LP/ELB is std. for T5 or T5HO DA/MK7 DL/ECO DO/HEL see Ballast Options	F CCEA see Other options	120 277

R-WWD-4414T8-CWM-ELB10-F-120 is a typical catalog number for a 1-lamp, 4-foot long T8 fixture, Matte White finish, with an electronic ballast, optional fuse, 120 volts.



Diffuser

SGL Soft Glow Lens. Extruded, frosted acrylic lens regressed at an angle above the ceiling to soften view of lamp from directly below while minimizing visibility from normal viewing angles.



Ballast

Specify in place of **LP/ELB**, contact factory for availability/compatibility with lamping:

- DA/MK7** Advance Mark VII dimming ballast.
- DL/ECO** Lutron ECO-10 dimming ballast.
- DO/HEL** Osram Sylvania dimming ballast.

Other Options

- F** Fuse. Slow or fast blow, determined by Litecontrol.
- CCEA** City of Chicago Environmental Air Modification.

Questions to Ask

1. Row information, including desired fixture length?
2. Diffuser type? 3. Other options? 4. 120 or 277 volt?



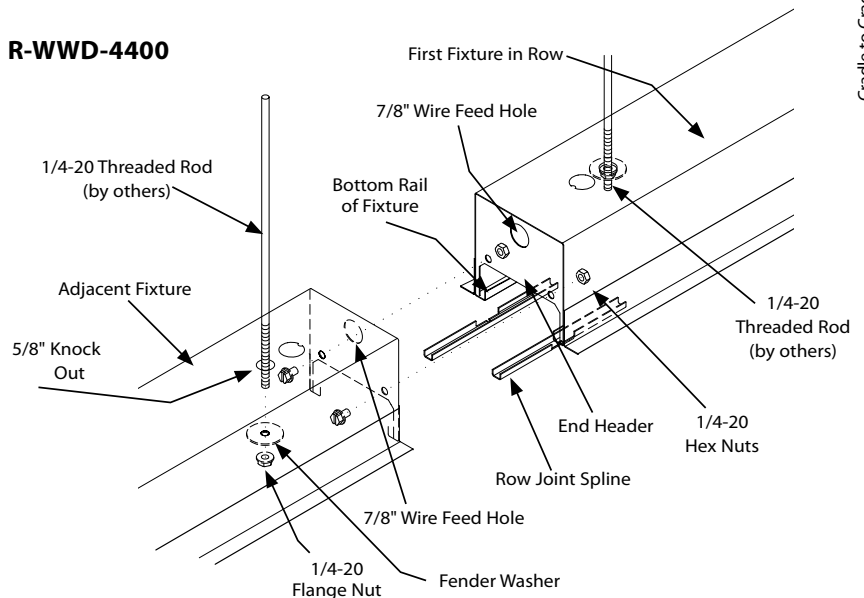
Specifications

- HOUSING.** Die-formed and welded steel, with 3/8" regression at housing bottom for rigidity and appearance, furnished with 6" long, steel splines for insertion at each side of housing at junction of fixtures in rows for precise alignment. End headers have clearance holes for easy row installation.
- SPACKLE TRIM.** (RP-WWD only) Continuous Spackle Trim with beaded edge welded to housing sides. Spackle trim allows plaster coat up to fixture edge for clean ceiling appearance.
- REFLECTOR.** Formed semi-specular high reflectance aluminum primary optic. Formed steel wall-side reflector painted gray. Painted, extruded aluminum room-side reflector shield extends below the ceiling and includes a pre-installed alignment spline that is slid between adjoining fixtures in the field.
- END CAPS.** Steel, finished to match housing. Two mounting holes on each end cap allow tight attachment to ends of individual fixtures and ends of rows.
- BALLAST.** Electronic Ballast (**ELB10**- for T8 lampping) or Low-profile Electronic Ballast (**LP/ELB** - for T5 or T5HO lampping), high power factor, thermally protected Class P, Sound Rated A, less than 10% THD, manufactured by a UL Listed manufacturer, as available, determined by Litecontrol. Ballasts with a voltage range of 120 to 277 will be used when fixture configuration and ballast availability allow. The minimum number of ballasts will be used.
- BALLAST DISCONNECT.** Fixture supplied with a ballast disconnect device to enable compliance with the NEC.
- LAMPING.** Available in one-lamp T8, T5, or T5HO in cross-section.
- MOUNTING.** Two 1/4-20 threaded rods (by others) installed in the ceiling provide simple fixture attachment with a washer and 1/4-20 flange nut.
- CERTIFICATION.** Fixture and electrical components are UL and/or CUL Listed (UL LISTED), and bear the I.B.E.W., A.F. of L. label. This fixture is Cradle to Cradle Certified^{CM} Silver by MBDC. Note: Litecontrol reserves the right to change specifications without notice for product development and improvement.

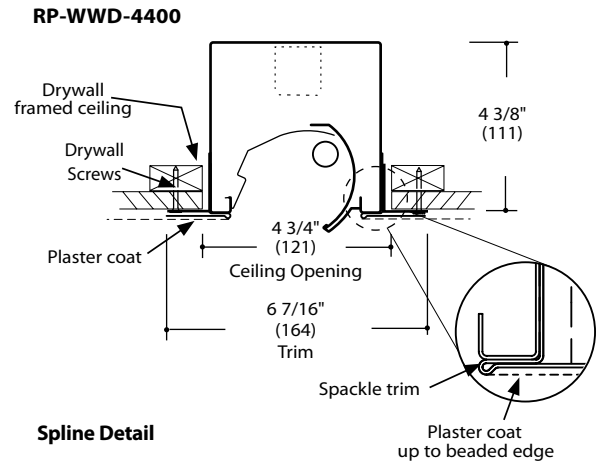
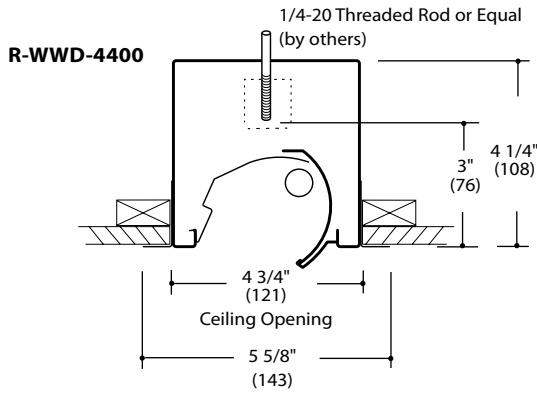
General notes for specifiers and contractors

1. Fixtures may be mounted in plaster, drywall, or concealed spline ceilings, individually, or in rows. Each fixture is supported by two 1/4-20 threaded rods.
2. Prior to fixture installation (2) 1/4-20 threaded rods per fixture must be located and installed in the ceiling. Note: threaded rods must end 3" above finished ceiling.
3. Electrical and ceiling contractors should both understand that this system is not a standard troffer construction (due to continuous light feature), so coordination between the two trades is essential.
4. Installation instructions for this fixture and all Litecontrol fixtures are available from your Litecontrol representative or by contacting the factory. Instructions are also provided with every fixture shipment.

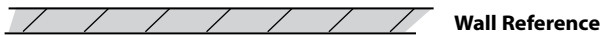
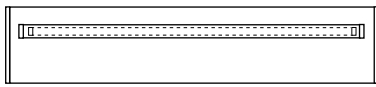
R-WWD-4400



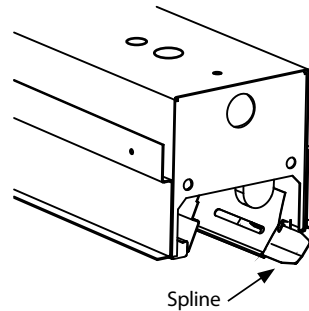
Planning for installation



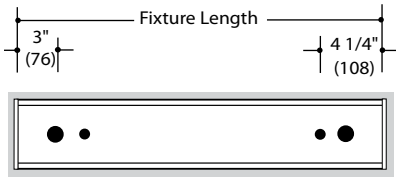
Lamp Position



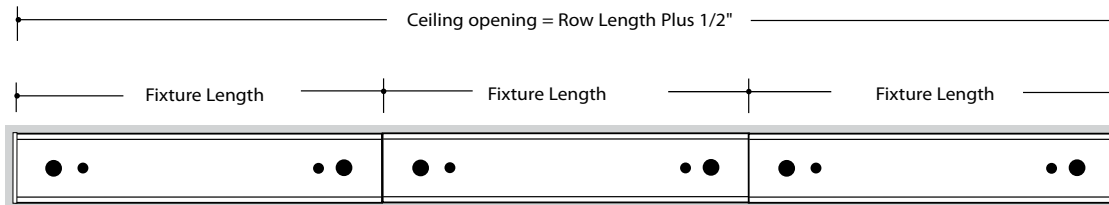
Spline Detail



Individual Fixture

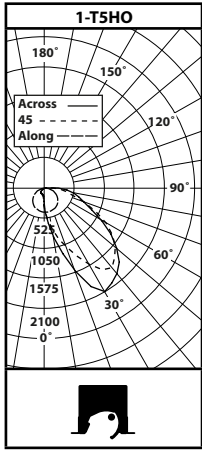


Row Diagram



- Fixture Lengths: 24", 36", 48", 72", and 96"
- 7/8" diameter knockout, electrical feed
 - 5/8" knockout for 1/4" diameter threaded rod locations

Photometric data



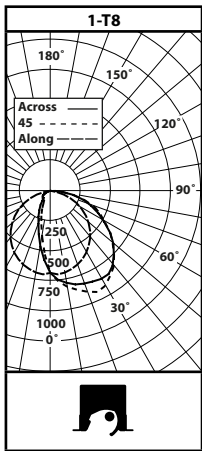
CANDLEPOWER SUMMARY					
ANGLE	0	45	90	135	180
90	3	3	6	138	223
85	2	2	25	271	379
80	6	9	61	377	503
75	32	23	103	489	607
70	36	47	147	722	718
65	52	64	182	970	890
60	60	86	219	1220	1132
55	84	111	249	1425	1388
50	95	130	278	1581	1619
45	104	121	306	1702	1812
40	119	120	332	1802	1932
35	120	115	353	1729	2011
30	109	120	374	1520	2068
25	113	128	386	1300	1883
20	122	142	394	1089	1537
15	128	150	407	916	1180
10	141	181	414	724	884
5	230	300	420	563	617
0	418	418	418	418	418

R-WWD-4414T5HO 68.7% Efficiency																	
Litecontrol Certified Test Report #66016000																	
RCC	80			70			50			30			10			0	
RW	70	50	30	10	70	50	30	10	50	30	10	50	30	10	50	30	10
RCR																	
0	82	82	82	82	80	80	80	80	76	76	76	73	73	73	70	70	69
1	73	69	66	63	71	68	65	62	65	62	60	62	60	58	60	58	55
2	66	59	54	49	64	58	53	49	55	51	48	53	50	46	51	48	44
3	59	51	45	40	57	50	44	39	48	43	39	46	42	38	44	40	37
4	54	44	38	33	52	44	37	32	42	36	32	40	35	31	38	34	29
5	49	39	32	27	47	38	32	27	37	31	27	35	30	26	34	30	24
6	45	35	28	23	43	34	28	23	33	27	23	31	26	23	30	26	22
7	41	31	24	20	40	30	24	20	29	24	20	28	23	19	27	23	19
8	38	28	22	17	37	27	21	17	27	21	17	26	21	17	25	20	17
9	35	25	19	15	34	25	19	15	24	19	15	23	18	15	23	18	15
10	33	23	17	13	32	23	17	13	22	17	13	21	17	13	21	16	13

Floor Cavity Reflectance .20

ZONAL LUMEN SUMMARY			
ZONE	LUMENS	% LAMP	% LUMINAIRE
180-90°	0	0	0
90-0°	3093	69	100
180-0°	3093	69	100

LUMINANCE SUMMARY (cd/m ²)			
ANGLE	0°	45°	90°
45°	1464	1704	4309
55°	1458	1927	4323
65°	1225	1508	4288
75°	1231	885	3963
85°	228	228	2856



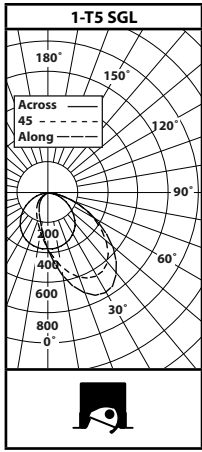
CANDLEPOWER SUMMARY					
ANGLE	0	45	90	135	180
90	1	0	1	27	38
85	0	0	16	100	102
80	8	11	60	195	196
75	17	22	117	285	295
70	28	40	179	359	396
65	42	56	239	441	461
60	60	72	302	518	525
55	76	78	361	609	608
50	87	80	416	686	675
45	92	80	467	746	748
40	91	101	515	807	819
35	89	142	556	844	864
30	112	186	595	845	911
25	160	234	626	830	925
20	219	290	652	820	890
15	287	372	672	804	849
10	390	472	688	775	808
5	529	576	696	742	754
0	680	680	680	680	680

R-WWD-4414T8 64.8% Efficiency																	
Litecontrol Certified Test Report #66012000																	
RCC	80			70			50			30			10			0	
RW	70	50	30	10	70	50	30	10	50	30	10	50	30	10	50	30	10
RCR																	
0	77	77	77	77	75	75	75	75	72	72	72	69	69	69	66	66	65
1	70	67	64	61	68	65	63	60	62	60	58	60	58	56	58	56	53
2	63	58	53	49	62	57	52	49	54	51	48	52	49	46	50	48	44
3	58	51	45	41	56	50	44	40	48	43	40	46	42	39	44	41	38
4	53	45	39	34	51	44	38	34	42	37	34	41	36	33	39	36	31
5	48	40	34	29	47	39	33	29	38	33	29	36	32	29	35	31	28
6	45	36	30	26	43	35	30	25	34	29	25	33	28	25	32	28	25
7	41	32	27	23	40	32	26	22	31	26	22	30	25	22	29	25	22
8	39	30	24	20	37	29	24	20	28	23	20	27	23	20	27	23	20
9	36	27	22	18	35	27	22	18	26	21	18	25	21	18	25	21	18
10	34	25	20	16	33	25	20	16	24	19	16	23	19	16	23	19	16

Floor Cavity Reflectance .20

ZONAL LUMEN SUMMARY			
ZONE	LUMENS	% LAMP	% LUMINAIRE
180-90°	0	0	0
90-0°	1880	65	100
180-0°	1880	65	0

LUMINANCE SUMMARY (cd/m ²)			
ANGLE	0°	45°	90°
45°	1296	1127	6576
55°	1319	1354	6267
65°	990	1319	5631
75°	654	846	4501
85°	0	0	1828



CANDLEPOWER SUMMARY					
ANGLE	0	45	90	135	180
90	1	1	1	30	41
85	1	1	16	49	59
80	1	1	45	95	86
75	0	3	74	158	147
70	5	11	104	226	222
65	9	17	135	295	304
60	17	37	166	372	391
55	29	55	197	444	482
50	45	74	228	513	572
45	63	91	257	572	649
40	78	109	285	615	711
35	95	127	306	637	757
30	113	147	326	641	767
25	134	169	342	625	752
20	158	196	354	593	704
15	187	225	364	546	637
10	232	266	370	491	552
5	292	312	374	428	456
0	369	369	369	369	369

R-WWD-4414T5-SGL 49.3% Efficiency																	
Litecontrol Certified Test Report #68316600																	
RCC	80			70			50			30			10			0	
RW	70	50	30	10	70	50	30	10	50	30	10	50	30	10	50	30	10
RCR																	
0	59	59	59	57	57	57	57	55	55	55	52	52	52	50	50	50	49
1	53	51	49	47	52	50	48	46	48	46	45	46	45	43	44	43	41
2	49	44	41	38	47	44	40	38	42	39	37	40	38	36	39	37	35
3	44	39	35	32	43	38	34	31	37	33	31	35	33	30	34	32	29
4	40	34	30	27	39	34	30	26	33	29	26	31	28	26	30	28	24
5	37	31	26	23	36	30	26	23	29	25	22	28	25	22	27	24	21
6	34	28	23	20	33	27	23	20	26	22	20	25	22	19	25	22	19
7	32	25	21	17	31	24	20	17	24	20	17	23	20	17	22	19	16
8	29	23	18	15	29	22	18	15	22	18	15	21	18	15	20	17	15
9	27	21	17	14	27	20	16	14	20	16	14	19	16	14	19	16	14
10	26	19	15	12	25	19	15	12	18	15	12	18	15	12	17	14	12

Floor Cavity Reflectance .20

ZONAL LUMEN SUMMARY			
ZONE	LUMENS	% LAMP	% LUMINAIRE
180-90°	0	0	0
90-0°	1286	49	100
180-0°	1286	49	100

LUMINANCE SUMMARY (cd/m ²)			
ANGLE	0°	45°	90°
45°	1141	1648	4653
55°	647	1228	4397
65°	273	515	4089
75°	0	148	3660
85°	147	147	2350