

**INSTALLATION INSTRUCTIONS**

FIXTURE TYPE \_\_\_\_\_

**SC/P6 STEM ASSEMBLY EXTRUDED FLAT STRAP**

P/C **510395-4000**

DATE: 8-16-07

PG. 1 OF 1

DO NOT MODIFY OR ALTER THIS PRODUCT IN ANY WAY, OR INSTALL IN ANY FASHION WHICH IS CONTRARY TO THE INSTRUCTIONS CONTAINED HEREIN. IF YOU HAVE ANY QUESTIONS REGARDING THIS PRODUCT OR THE INSTALLATION OF IT, PLEASE CALL LITECONTROL ENGINEERING AT 781-294-0100.

GENERAL NOTES:

1. The SC/P6 stem assemblies are made to install directly into 3-1/2" or 4" x 2-1/8" deep octagonal outlet box. Outlet boxes must be mounted flush to ceiling.

**WARNING:** The National Electric Code requires that any fixture weighing more than 50 pounds be independently supported of an outlet box.

2. Fixtures mounted in rows must be supported by a minimum of one stem (or cable) at the junction of two fixtures plus one at each end of row. This is considered by "Underwriters Laboratories" as equivalent to two stems (or cables) per fixture.

3. These fixture supports are to be used only in conjunction with Litecontrol products for which they were furnished. DO NOT use them for support of any other items or in any fashion which is contrary to this instruction sheet.

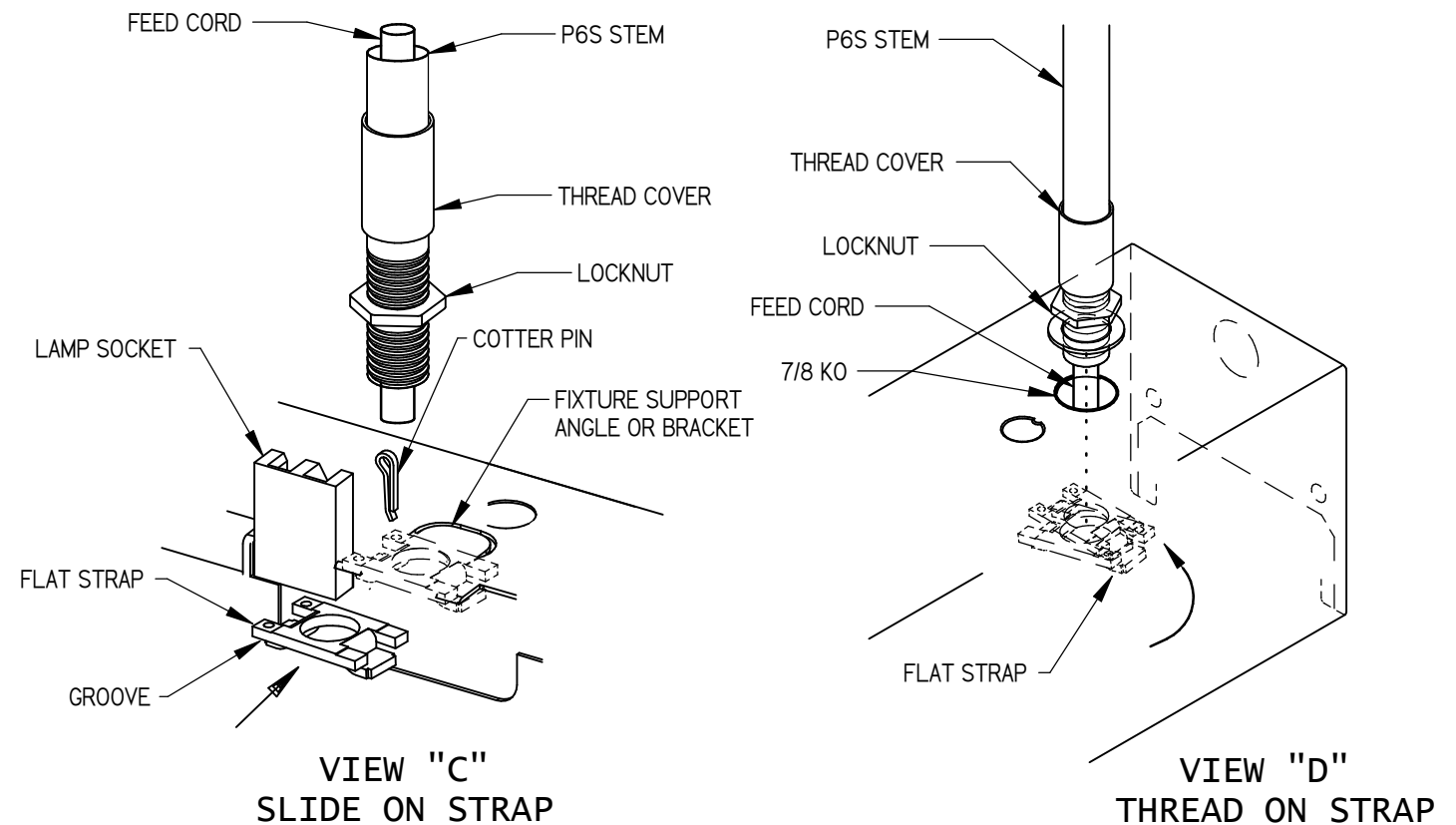
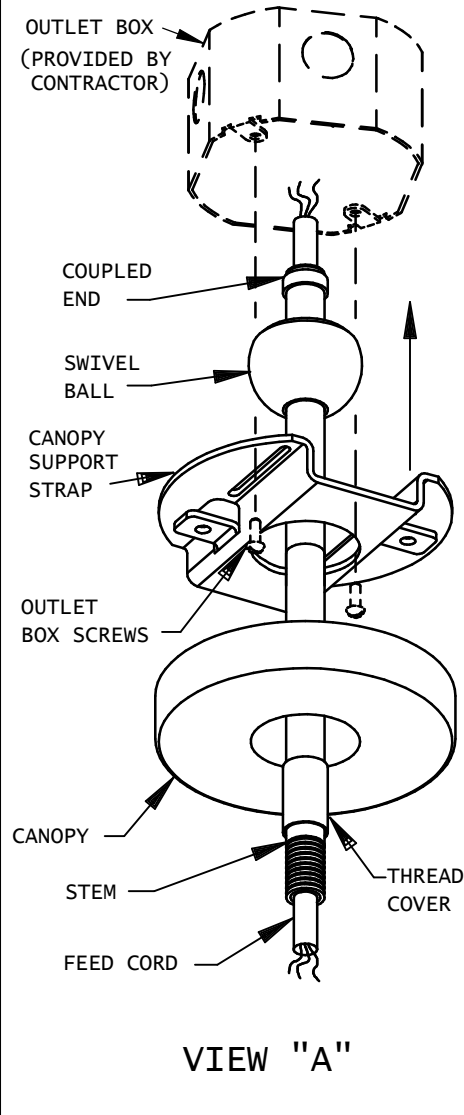
4. At electrical feed locations, make wiring connections to feed cord and let cord hang down from outlet box.

PRE-ASSEMBLING STEMS: (Refer to View "A")

- Slide Swivel Ball, Support Strap, Canopy and Thread Cover onto stem and thread a Locknut onto bottom thread.
- Stems longer than 102" are provided in two pieces coupled together with a NPSC coupling. Slide swivel ball onto upper stem before assembling stems together with coupling, making sure that the lower stem with the 1-1/2" threaded end is at the bottom. Refer to View "B".
- Lift Stem with Support Strap to ceiling and bring feed cord thru stem. Mount Support Strap to outlet box with screws. Repeat these steps at each stem location.

INSTALLATION OF STEMS TO FIXTURES - SLIDE ON STRAP: See view "C"

- Refer to instructions packaged with fixture to prepare it for hanging.
- MOUNTING INDIVIDUAL FIXTURES:**  
Slide groove in sides of Flat Strap onto Fixture Support Angle at both ends of fixture and secure with cotter Pin thru holes in flat strap and support bracket.
- MOUNTING ROWS OF FIXTURES:**  
One Flat Strap is slid onto fixture at the end of row where End Cap is located and secured with Cotter Pin. At row joint end of this fixture, another Flat Strap is slid on and positioned so that half extends out end of fixture. Secure this strap with Cotter Pin. The abutting fixture is then slid onto open end of this flat strap and secured with the row mounting hardware shipped with fixture. This step is repeated at each row joint between fixtures.
- Lift fixture up and thread stems into Flat Straps.
- There is approximately 1" of vertical adjustment for leveling fixtures by threading stems up or down in flat straps.
- Bring feed cord into fixture wireway and make wiring connections.



INSTALLATION OF STEMS TO FIXTURES - THREAD ON STRAP: See view "D"

- Refer to instructions packaged with fixture to prepare it for hanging.
- Remove the 7/8" ko in top of fixture at both ends. Lift fixture up and insert stems thru 7/8" ko's and secure by threading on a Flat Strap from inside of fixture.
- There is approximately 1" of vertical adjustment for leveling fixtures by threading stems up or down in flat straps. After fixtures are level, tighten stem locknut to top of fixture.
- Bring feed cord into fixture wireway and make wiring connections.

CANOPY INSTALLATION:

- Canopies are installed after wiring in outlet boxes have been completed.
- Align plastic christmas tree clips on canopy with the two 1/4" holes in canopy support strap. Push canopy up until clips engage and canopy is flush against ceiling.

