

**INSTALLATION  
INSTRUCTIONS**

FIXTURE TYPE \_\_\_\_\_

END CAP  
LG-D-66N00  
LG-D-86N00

Pg. 1  
OF 1

PART  
NO. 510197-2000

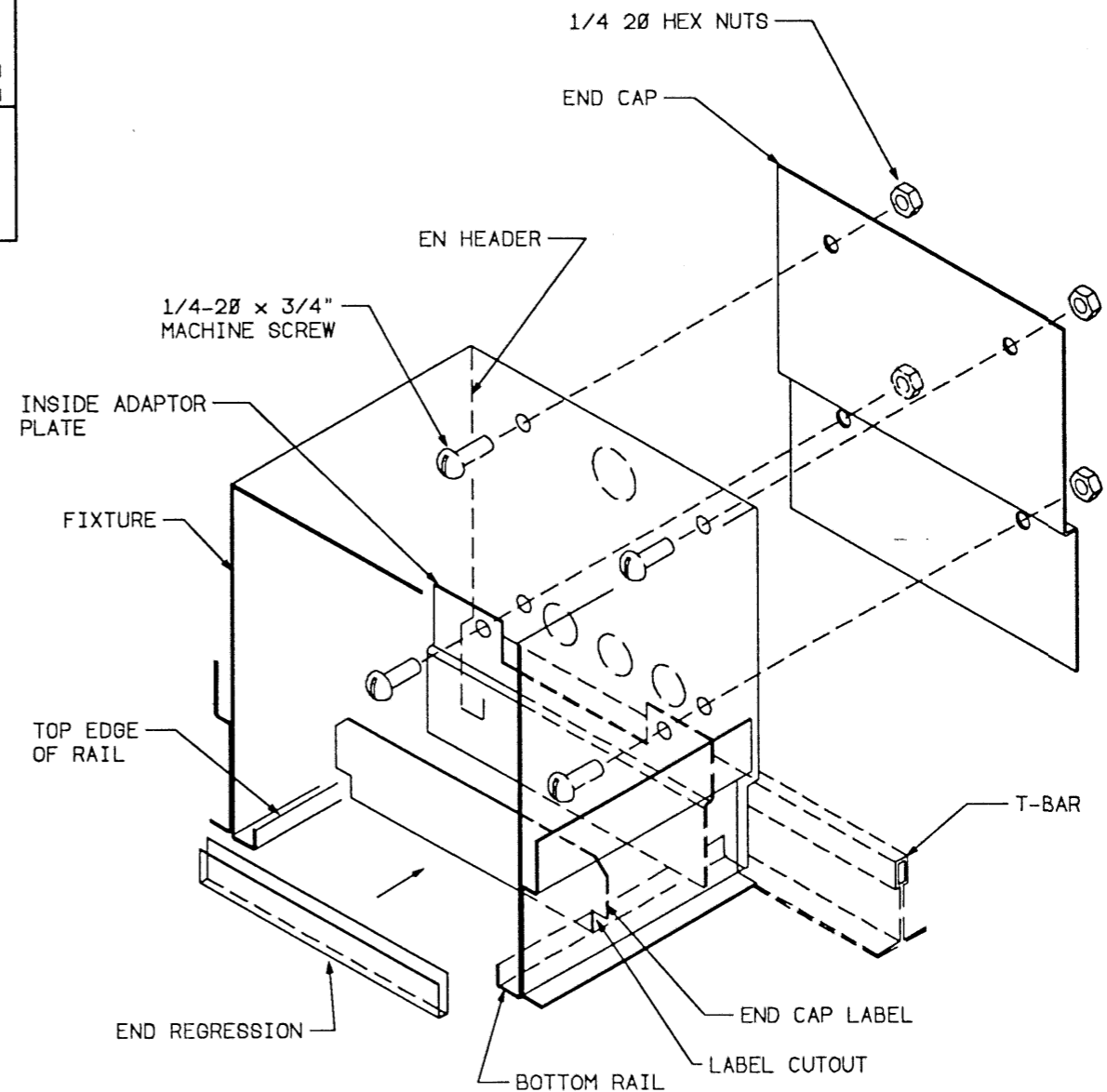
DO NOT MODIFY OR ALTER THIS PRODUCT IN ANY WAY, OR INSTALL IN ANY FASHION WHICH IS CONTRARY TO THE INSTRUCTIONS CONTAINED HEREIN.  
IF YOU HAVE ANY QUESTIONS REGARDING THIS PRODUCT OR THE INSTALLATION OF IT, PLEASE CALL LITECONTROL ENGINEERING AT 617-294-0100.

**GENERAL NOTES:**

- A) FIXTURE REFLECTORS MUST BE REMOVED PRIOR TO END CAP INSTALLATION.
- B) THIS INSTRUCTION SHEET IS USED WITH FIXTURE INSTRUCTION SHEET No. 510137.
- C) END CAPS ARE USED AT EACH END OF AN INDIVIDUAL (IND) FIXTURE AND AT THE END OF A END OF ROW (EOR) FIXTURE.

**INSTRUCTIONS:**

1. ALIGN AN INSIDE ADAPTOR PLATE WITH THE LOWER SET OF HOLES IN END HEADER AND THE END CAP. SECURE WITH (2) 1/4-20 x 3/4" LONG MACHINE SCREWS AND HEX NUTS.
2. BOLT THRU UPPER SET OF END HEADER HOLES AND END CAP WITH (2) ADDITIONAL 3/4" LONG SCREWS AND NUTS.
- 3A. WHEN A LENSE OR LOUVER DIFFUSER IS REQUIRED IN FIXTURE, AN ADDITIONAL PART CALLED AN END REGRESSION IS ATTACHED TO EACH INSIDE ADAPTOR PLATE. PEEL OFF THE BACKING PAPER ON THE END REGRESSION AND FIRMLY PRESS IT UP AGAINST THE ADAPTOR PLATE MAKING SURE THAT THE BOTTOM EDGE OF THE END REGRESSION IS FLUSH WITH THE BOTTOM OF THE FIXTURE AND IN BETWEEN THE BOTTOM RAILS. BE CAREFUL NOT TO SCRATCH PAINT ON RAILS.
- B. WHEN PARABOLIC BAFFLE (PBSS) DIFFUSERS ARE REQUIRED IN FIXTURE, AN END CAP LABEL IS PROVIDED AND IS ATTACHED TO EACH INSIDE ADAPTOR PLATE. PEEL OFF THE LABEL BACKING PAPER AND USING THE BOTTOM RAILS AS A GUIDE, PRESS LABEL ONTO ADAPTOR PLATES. CUTOUTS ON SIDE OF LABEL WILL SEAT ON TOP EDGE OF RAILS.



**LITECONTROL**

100 HAWKS AVENUE - PO BOX 100 - HANSON MA 02341, (617-294-0100)

FILE COPY