

INSTALLATION INSTRUCTIONS

PART NO. **510073-2000**

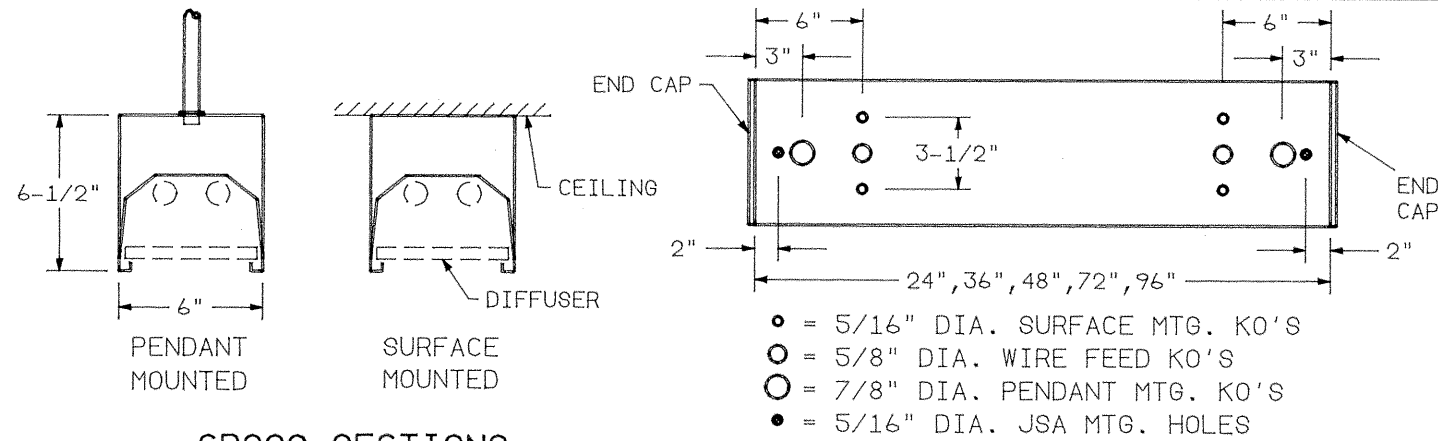
FIXTURE TYPE _____

MOD-66
P-D-66N00
S-D-66N00

PG. 1 OF 2

DO NOT MODIFY OR ALTER THIS PRODUCT IN ANY WAY, OR INSTALL IN ANY FASHION WHICH IS CONTRARY TO THE INSTRUCTIONS CONTAINED HEREIN. IF YOU HAVE ANY QUESTIONS REGARDING THIS PRODUCT OR THE INSTALLATION OF IT, PLEASE CALL LITECONTROL ENGINEERING AT 781-294-0100

- E) Thread a locknut onto stem or cable stud; position a Flat Strap underneath the 7/8" KO's and thread stem thru KO into flat strap. Refer to View "A" on Cable instruction sheet No. 510227 when aircraft cables are used. Repeat this step at opposite end of fixture.
- F) Attach End Caps per Step 2B.
- G) Lift fixture up and mount pendants to ceiling. Bring wire feed into fixture wireway and make connections.
- H) Level fixture up or down by threading stems or cable studs into Flat Straps. Tighten all locknuts after fixtures are level.



CROSS SECTIONS

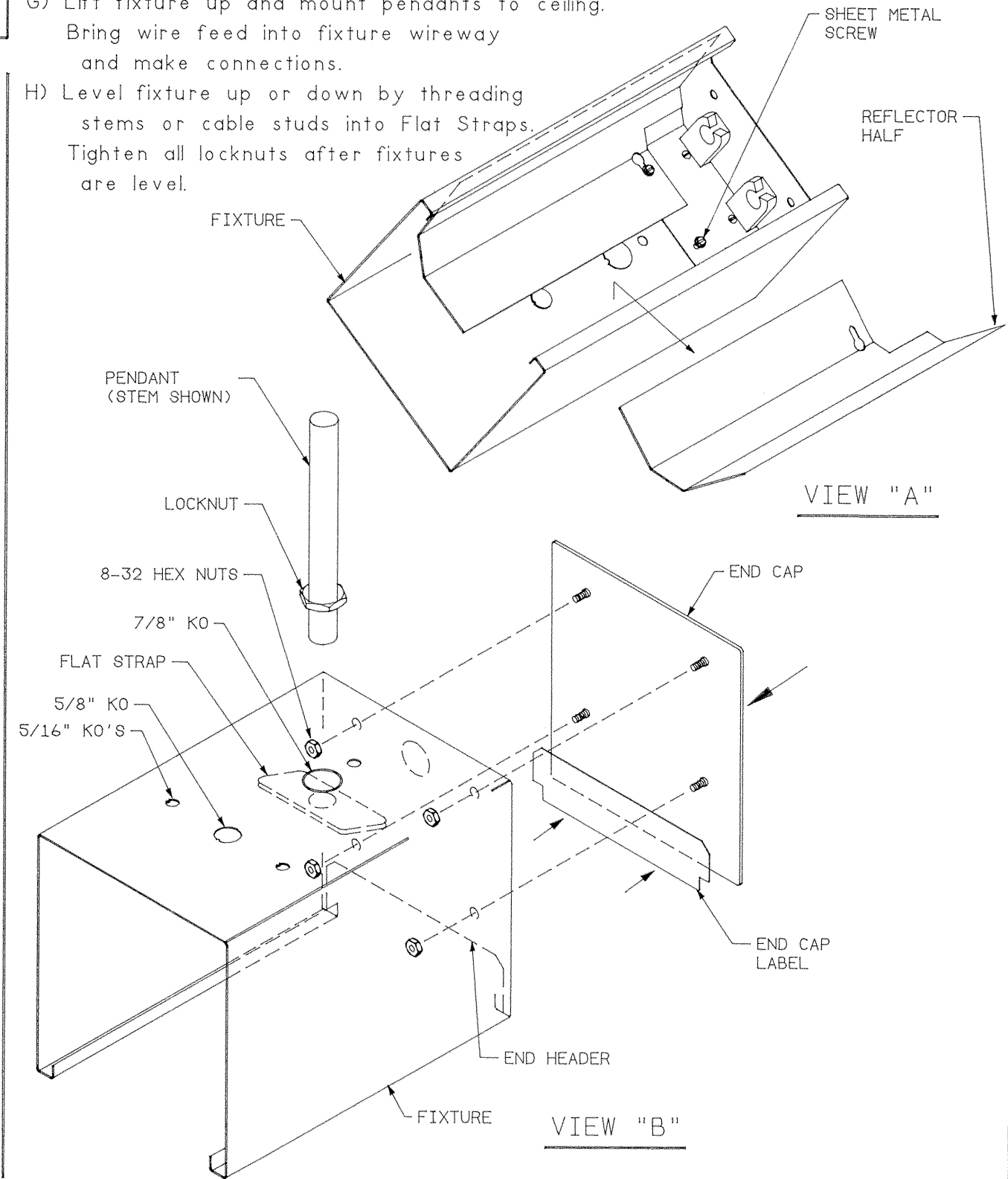
PLAN VIEW

GENERAL NOTE: (READ SHEETS COMPLETELY BEFORE STARTING)

Leave protective wrapping material on fixture until fixtures are mounted: This will protect finish from damage.

INSTRUCTIONS:

1. Remove Reflector Halves from fixture by loosening (4) sheet metal screws and shifting them out thru keyholes. See View "A".
2. MOUNTING INDIVIDUAL FIXTURES:
 - A) FOR SURFACE MOUNTING: Remove all (4) 5/16" KO's and (1) 5/8" KO at wire feed location in top of fixture as shown in Plan View above.
 - B) Attach an End Cap (shipped separately) to both ends of fixture by inserting end cap studs thru holes in End Headers. Secure with (4) 8-32 hex nuts making sure caps are flush with ends of fixture. See View "B".
Note: Fixtures supplied with Parabolic Baffle diffusers (PBSS) are provided with adhesive backed End Cap Labels which are attached to end caps after caps are installed. Peel off label backing paper and using the cutout in the end header as a guide, press label onto end cap.
 - C) Lift fixture up to ceiling and bring wire feed thru 5/8" KO into wireway. Mount fixture to ceiling with 1/4" dia. mounting screws and washers (supplied by contractor) thru the 5/16" KO's into ceiling structure. Ceiling structure must be adequate to support a minimum fixture weight of 5 lbs per each foot of fixture length. GO TO STEP 5 ON PAGE 2.
 - D) FOR PENDANT MOUNTING: (pendants are shipped separately)
Remove both 7/8" KO's in top of fixture and a 5/8" KO at wirefeed location if aircraft cables are used to hang fixture. Wire feed may be run inside stems when they are used. Locate pendants along a straight line in ceiling per dimensions shown in Plan View: (Refer to pendant instruction sheet).



VIEW "A"

VIEW "B"

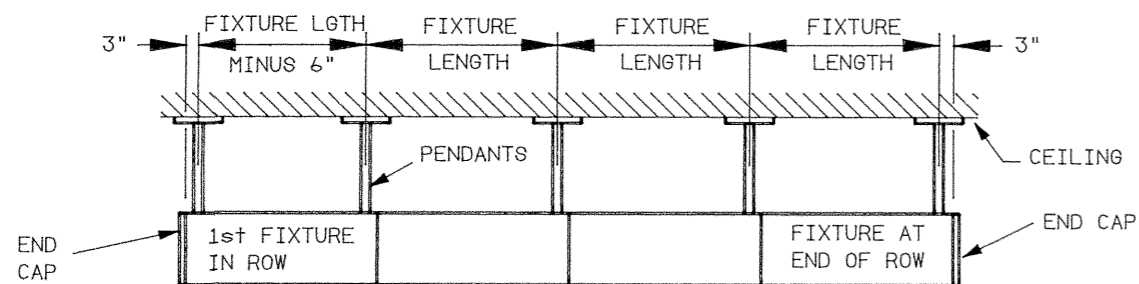
INSTALLATION INSTRUCTIONS

PART NO. 510073-2000

FIXTURE TYPE _____

MOD-66
P-D-66N00
S-D-66N00

PG. 2 OF 2



SIDE VIEW - PENDANT LOCATIONS FOR ROW MOUNTED FIXTURES

3. MOUNTING ROWS OF FIXTURES:

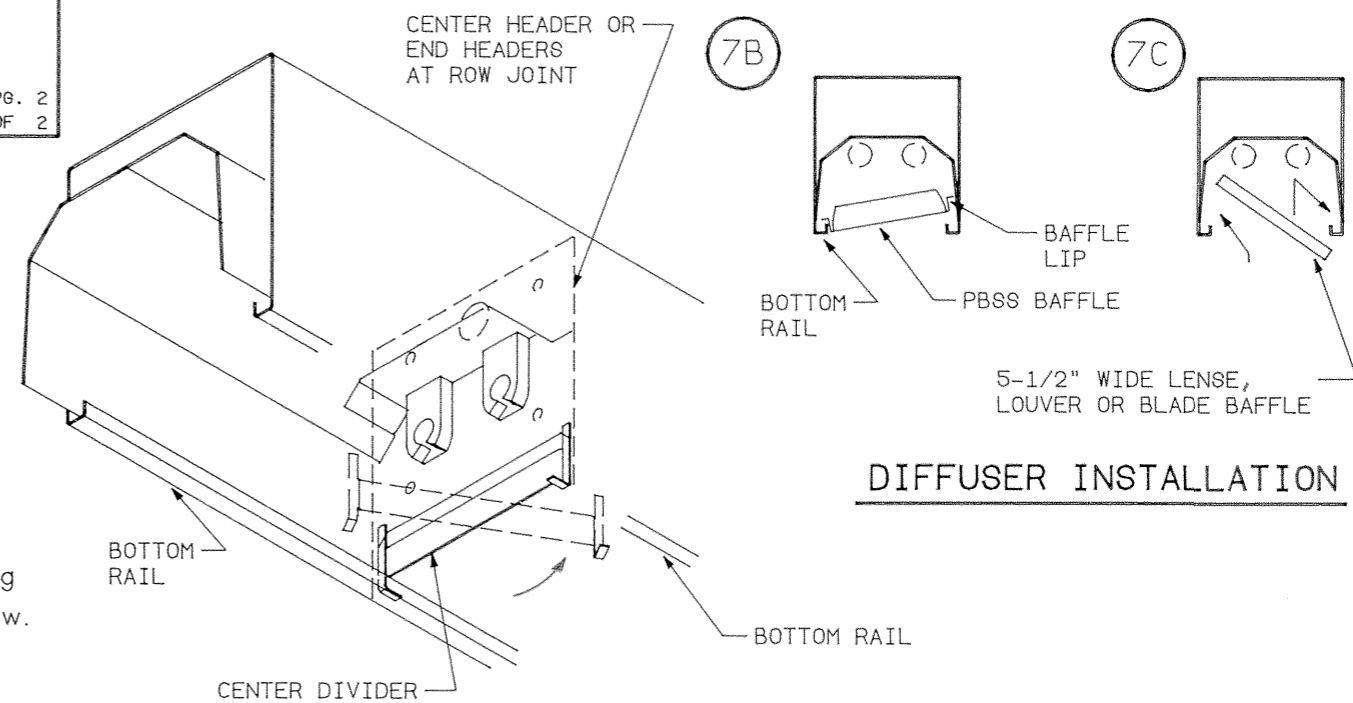
- A) Surface mounted fixtures are each attached to ceiling per Steps 2A & 2C abutting each other and connected together at row joint per Steps 3F, 3G, 3H & 4 below.
- B) For Pendant Mounted Fixtures: Locate pendants (stems or aircraft cables) along a straight line in ceiling as shown in Side View above.
- C) Mount the 1st fixture in row per Steps 2D, 2E, 2G and 2H on page 1. Attach an End Cap to one end of this fixture per Step 2B.
- D) Mount 1 pendant at the far end of the next fixture in row per Steps 2D & 2E. Lift this fixture up and mount pendant end to ceiling. Loosely bolt this fixture to 1st fixture at row joint with (4) 1/4-20 x 3/8" long machine screws and 1/4-20 hex nuts (found in polybag) thru end header holes as shown in View "C".
- E) Pendants mounted directly over row joints with "JSA" straps are attached to top of fixture thru the 5/16" dia holes. Refer to View "F" on "JSA" instruction sheet No. 510233 for stems or View "A" on instruction sheet No. 510228 for cables.
NOTE: Pendant locations along ceiling will change when using "JSA" straps and feed wiring cannot be brought thru a JSA strap.
- F) Press a Spline (found in polybag) into each bottom rail at row joint for alignment.
- G) Level each fixture and align seams at row joint before tightening all screws. Repeat steps 3D, 3F & 3G for each additional fixture in row.
- H) Install another End Cap over open end of the last fixture in row.

- 4. Bring wire feed thru the 7/8" holes in the end headers and make connections.
- 5. Replace all Reflector Halves and remove all wrapping material.
- 6. Clean fixture exteriors with a general window cleaner and install lamps (by others).

7. DIFFUSER INSTALLATION:

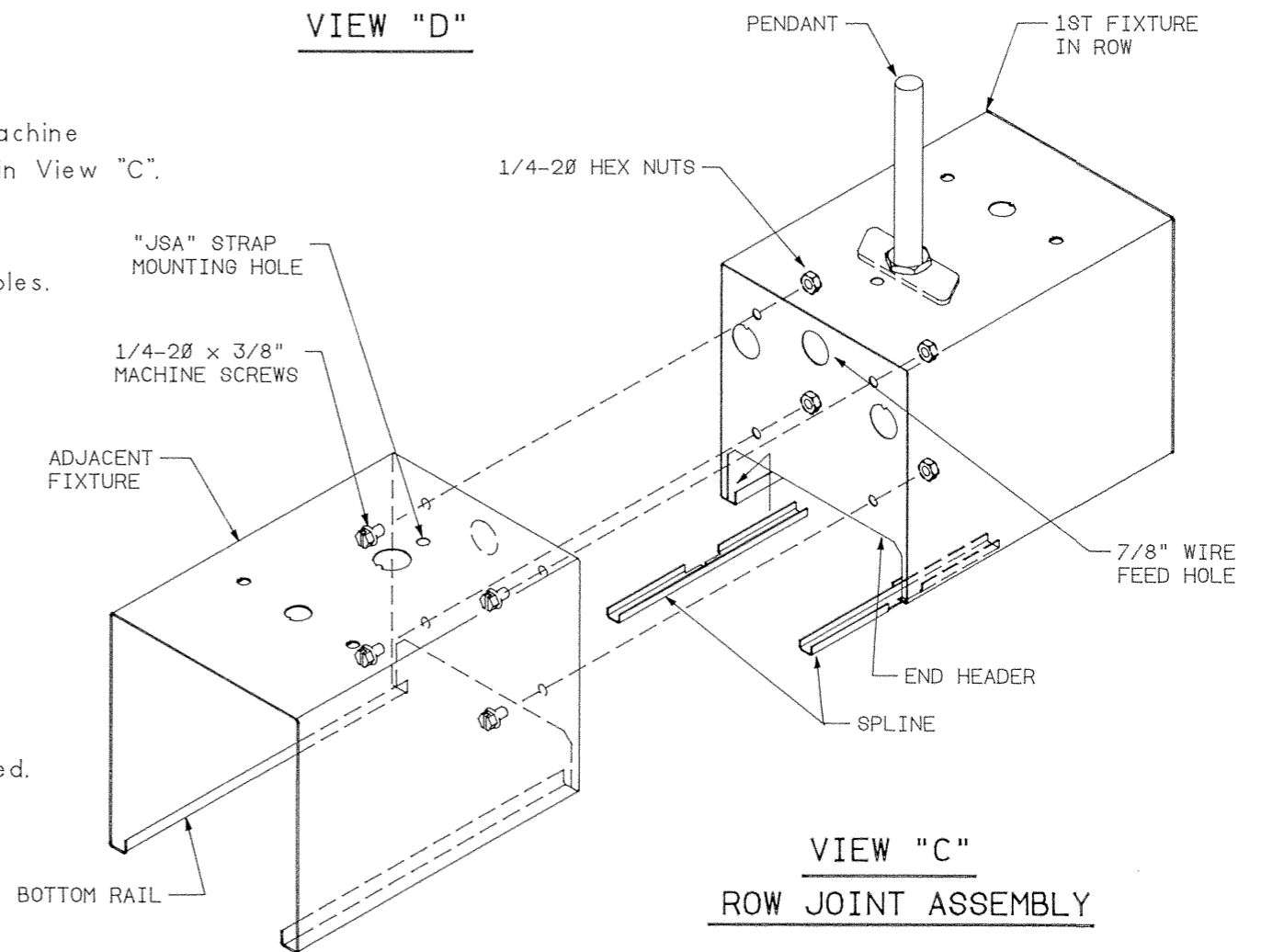
Use caution when installing diffusers to prevent lamp damage.

- A) Center Dividers (found in polybag) are used at the center headers of 6' & 8' long fixtures and at each row joint ONLY when Plastic lenses or Louvers are used. Insert Center Divider up thru bottom opening of fixture, rotate into place and then pull down into bottom rails or Splines until seated: See View "D".
- B) PARABOLIC BAFFLES (PBSS or PBSG) are shifted into fixture opening and lowered into place by pulling down on baffle until lip sits on bottom rails.
- C) LENSES, LOUVERS AND BLADE BAFFLES are shifted into fixture opening and rest on top of bottom rails.



DIFFUSER INSTALLATION

VIEW "D"



VIEW "C" ROW JOINT ASSEMBLY

LITECONTROL

100 HAWKS AVENUE - PO BOX 100 - HANSON MA 02341, 781-294-0100