

INSTALLATION INSTRUCTIONS

FIXTURE TYPE _____

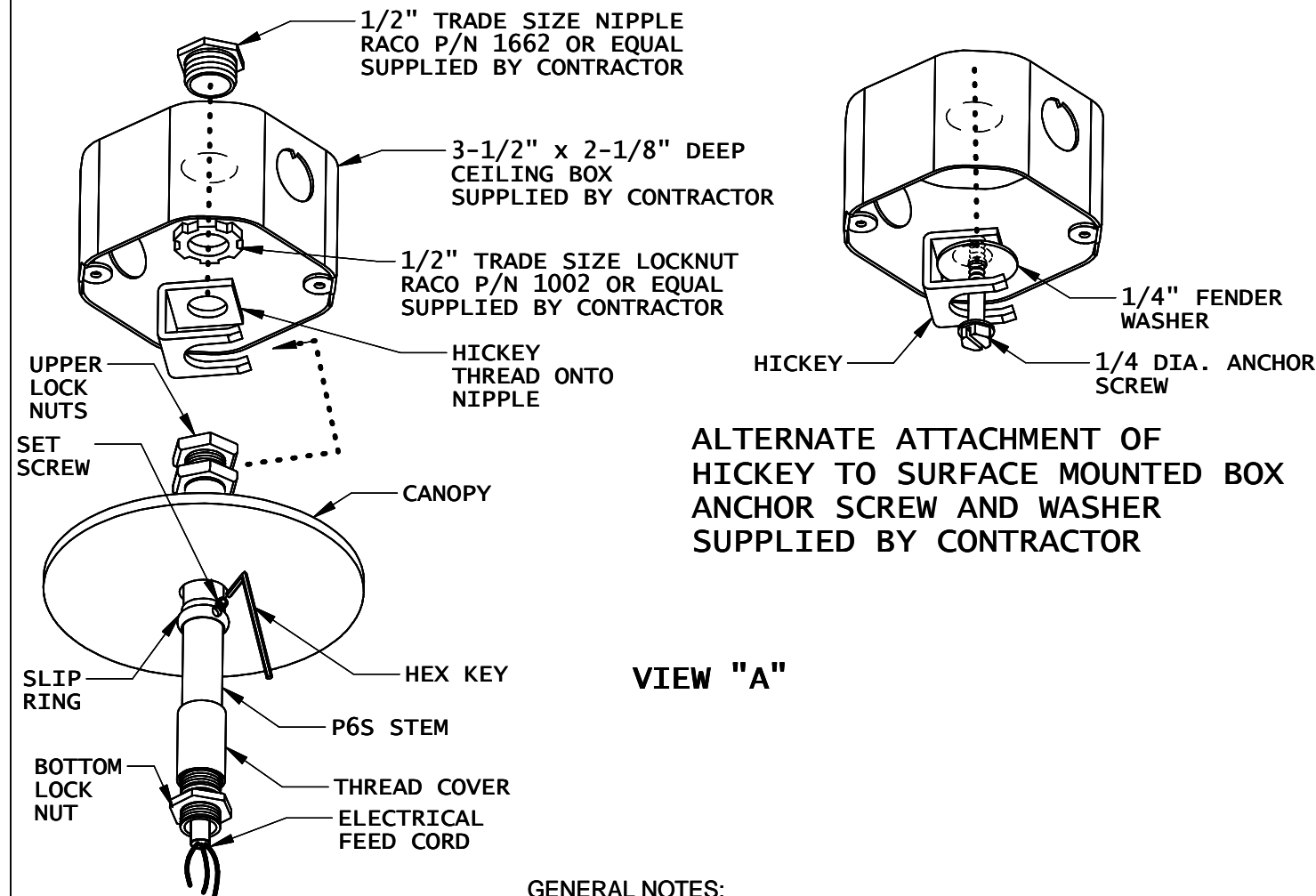
P6S STEM ASSEMBLY WITH TYPE "B" FLAT STRAP

P/C 510394-5000

DATE: 8-20-07

PG. 1 OF 1

DO NOT MODIFY OR ALTER THIS PRODUCT IN ANY WAY, OR INSTALL IN ANY FASHION WHICH IS CONTRARY TO THE INSTRUCTIONS CONTAINED HEREIN. IF YOU HAVE ANY QUESTIONS REGARDING THIS PRODUCT OR THE INSTALLATION OF IT, PLEASE CALL LITECONTROL ENGINEERING AT 781-294-0100.



ALTERNATE ATTACHMENT OF HICKEY TO SURFACE MOUNTED BOX ANCHOR SCREW AND WASHER SUPPLIED BY CONTRACTOR

VIEW "A"

GENERAL NOTES:

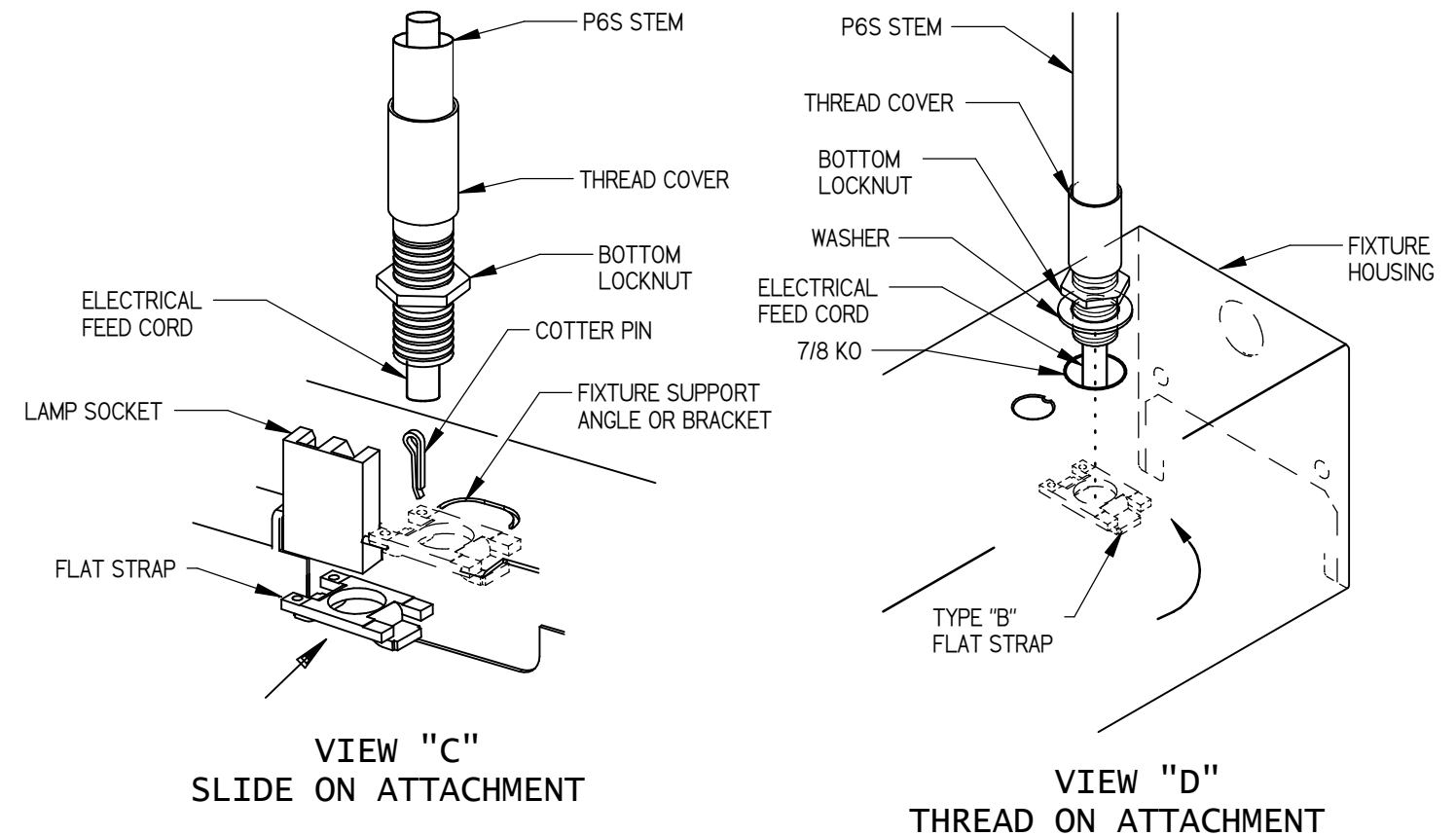
- The P6S stem assemblies are made to install directly into a 3-1/2" x 2-1/8" deep octagonal outlet box mounted flush to ceiling. Refer to Fixture Instruction sheet for stem locations. Mounting Hickey is supplied by Litecontrol for attachment to outlet box as shown in View "A". 1/2" Trade size fittings are supplied by contractor.

WARNING:

- The National Electric Code requires that any fixture weighing more than 50 pounds be independently supported of an outlet box.
- Fixtures in rows must be supported by a minimum of one stem (or cable) at the junction of every two fixtures plus one at each end of row. This is considered equivalent to two stems or cables per fixture by "Underwriters Laboratories",
 - These fixture supports are to be used only in conjunction with LITECONTROL products for which they were furnished: DO NOT use them for support of other items or in any fashion contrary to this instruction sheet.

PRE-ASSEMBLING STEMS: (Refer to View "A")

- Slide Canopy, Slip Ring and Thread Cover onto stem and thread Locknut onto bottom of stem. Loosely thread set screw into Slip Ring with Hex Key provided.
- Stems longer than 102" are provided in 2 sections coupled together with NPSC coupling. See View "B".
- Mount Hickey to inside of outlet box as shown in View "A".
- Electrical Feed Cord is bulk packaged and shipped separately. Cut off enough cord to run from outlet box to inside of fixture and add 12". Make wiring connections in outlet box and let cord hang down.



SLIDE ON ATTACHMENT- REFER TO VIEW "C"

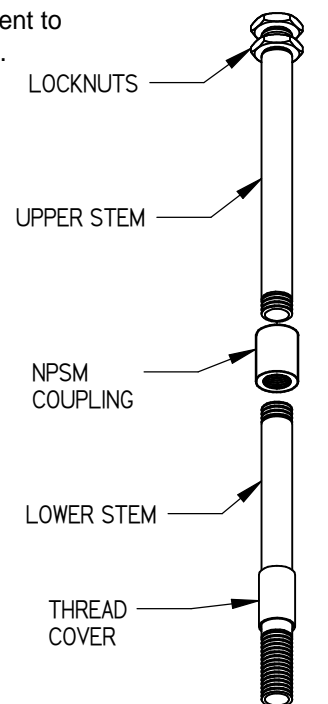
- Refer to instructions packaged with fixture to prepare it for hanging.
- INDIVIDUALLY MOUNTED FIXTURE:
Slide Flat Strap into cutout end of Support Bracket at both ends of fixture. Insert Cotter pin thru holes and flair out ends of pin.
- ROW MOUNTED FIXTURES:
Slide Flat Strap into one end of the first fixture in row and secure with Cotter Pin.
At the row joint end of this fixture, Flat Strap is slid on and positioned so that half of it extends out for attachment to abutting fixture. Use Cotter Pins to assemble Flat Strap between fixtures at row joint and flair out ends of pins.
This step is repeated at each row joint between fixtures.
- Thread Stems into Flat Straps.
Lift fixture up and slide Feed Cord thru Stem while hooking upper locknuts onto hickey.
Tighten lower locknut up against bottom of hickey.
- By threading stems up or down into flat strap, there is 1" of vertical adjustment available for leveling.
Tighten Bottom Locknut after fixture is level. Slide Thread Cover down against locknut.

THREAD ON ATTACHMENT - REFER TO VIEW "D"

- Refer to instructions packaged with fixture to prepare it for hanging.
- Slide Washer onto bottom of stem and insert stem thru 7/8" KO in fixture housing.
Thread Flat Straps onto bottom of stem from inside of housing and repeat this step at each pendant location.
- Lift fixture up and slide Feed Cord thru Stem while hooking upper locknuts onto hickey.
Tighten lower locknut up against bottom of hickey.
- By threading stems up or down into flat strap, there is 1" of vertical adjustment available for leveling.
Tighten bottom locknut after fixture is level. Slide Thread Cover down against locknut.

CANOPY INSTALLATION - REFER TO VIEW "A"

- Canopies are installed after wiring in outlet boxes has been completed.
- Slide Canopy up flush against ceiling and with Slip-ring up against canopy, tighten setscrew with hex key.



VIEW "B"