

**INSTALLATION  
INSTRUCTIONS**

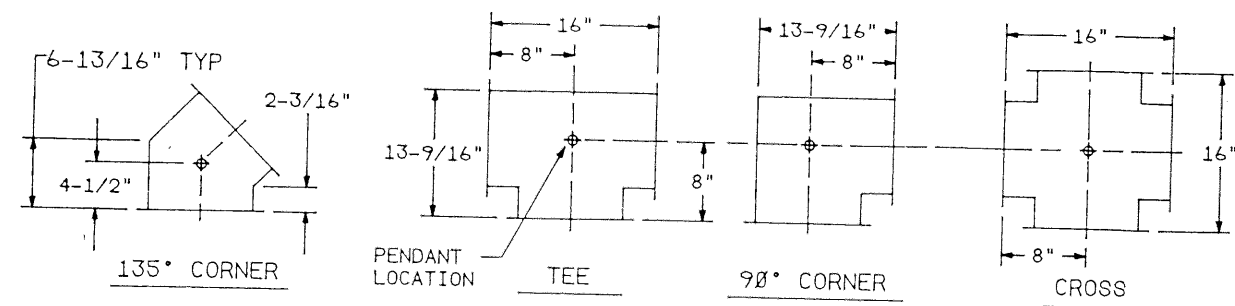
PART NO. 510311-2000

CONNECTOR TYPE \_\_\_\_\_

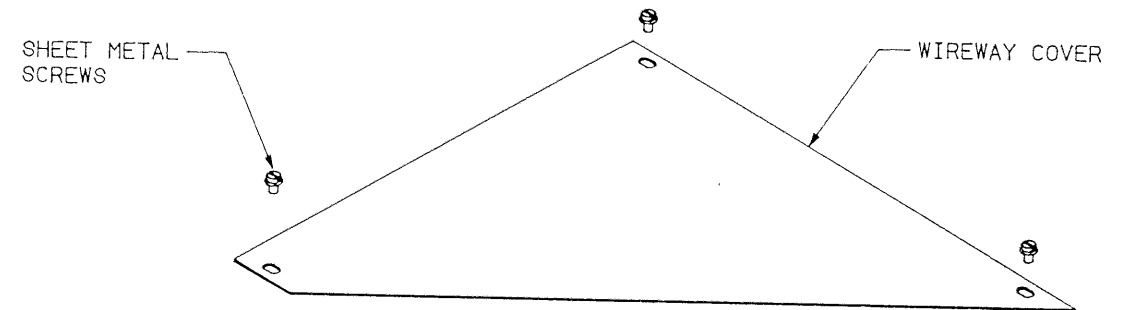
**P-I-5500  
SYSTEM CONNECTORS**

PG. 1  
OF 1

DO NOT MODIFY OR ALTER THIS PRODUCT IN ANY WAY, OR INSTALL IN ANY FASHION WHICH IS CONTRARY TO THE INSTRUCTIONS CONTAINED HEREIN. IF YOU HAVE ANY QUESTIONS REGARDING THIS PRODUCT OR THE INSTALLATION OF IT, PLEASE CALL LITECONTROL ENGINEERING AT 781-294-0100



**PLAN VIEWS**

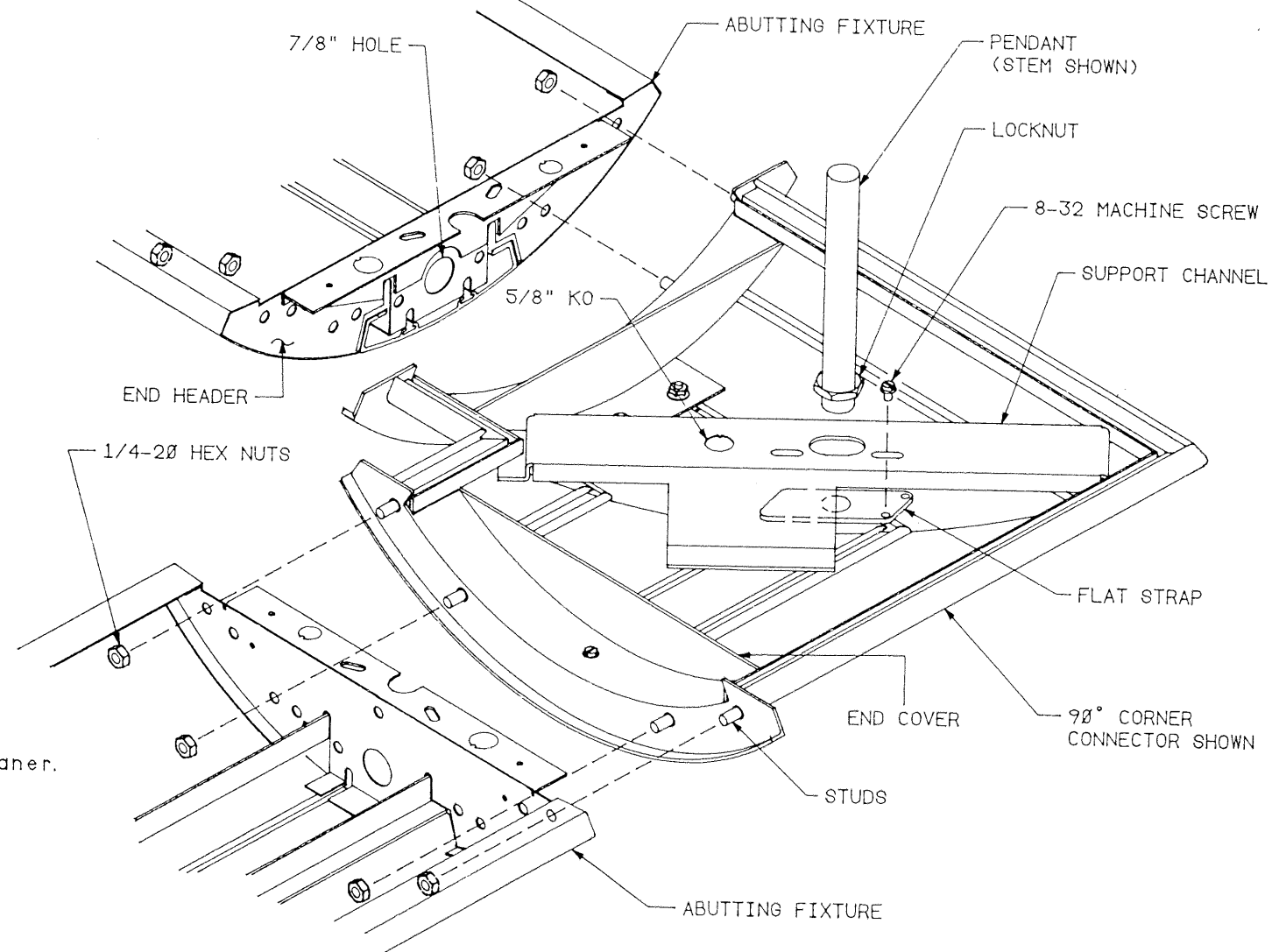


**GENERAL NOTES:**

- 1) This instruction sheet is used with fixture instruction sheet 510302.
- 2) Although the 90° corner is shown on this sheet, installation of all the system connectors is similar.
- 3) Litecontrol recommends that a system connector be assembled to an abutting fixture before attaching pendants.

**Instructions:**

1. Lift out wireway covers by removing sheet metal screws.
2. Mount a flat strap underneath the support channel with (1) 8-32 x 3/8" long hex head machine screw.  
Remove a 5/8" KO in support channel for wire feed if aircraft cables are being used to hang connector. Feed may be run inside stem if required.
3. Locate pendants in ceiling using the plan views on this sheet and the fixture instruction sheet 510302.
4. Attach (1) abutting fixture to connector with (4) 1/4-20 hex nuts.
5. Thread a locknut onto pendant and attach pendant to Flat Strap. Repeat this step at the opposite end of the abutting fixture and lift this assembly up and mount to ceiling.  
Level fixture up or down by threading stems or cable studs into Flat Straps.  
Level fixture/connector horizontally by loosening flat strap machine screws and sliding straps from side to side.
6. Mount another fixture to each leg(s) of connector per steps 4 & 5 above.
7. Wire feed may be brought over top edge of End Cover into the 7/8" hole in the abutting fixture end header.
8. Replace wireway covers and clean exterior surfaces with a general window cleaner.



**LITECONTROL**

100 HAWKS AVENUE - PO BOX 100 - HANSON MA 02341,