

# INSTALLATION INSTRUCTIONS

P/C 510158-2000

Fixture Type

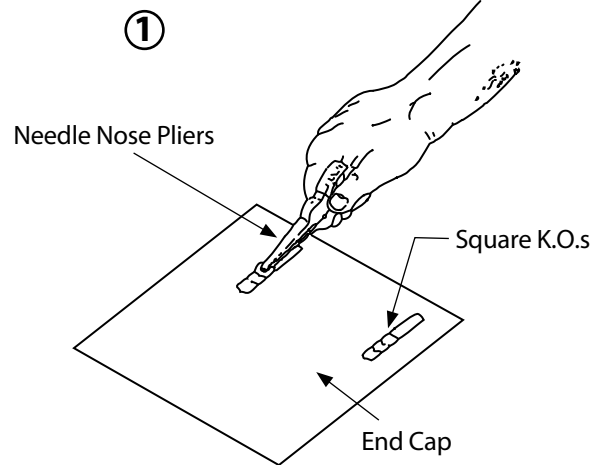
Wall/Slot 85N

End Cap

Do not modify or alter this product in any way, or install in any fashion which is contrary to the instructions contained herein. If you have any questions regarding this product or the installation of it, please call Litecontrol Engineering at 781-294-0100.

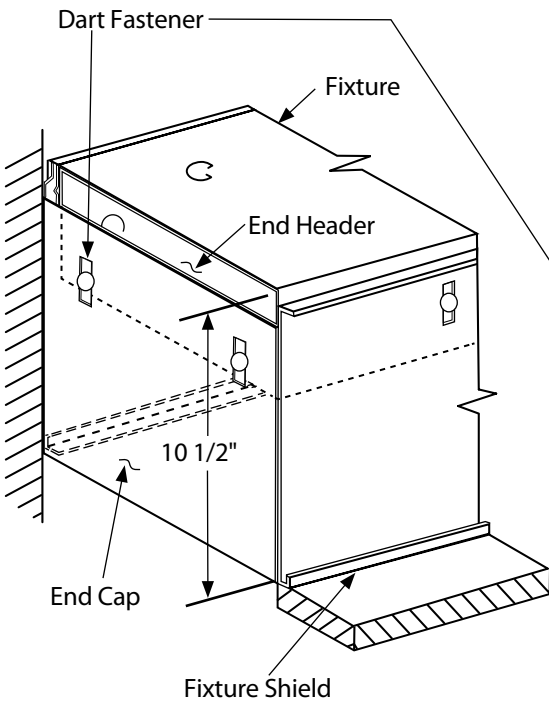
### Instructions:

1. If the dimension from the top of fixture to bottom of shield is less than 10 1/2", remove square K.O.s in slots. Remove only the K.O.s required for correct height adjustment. Each K.O. removed allows for a 1/4" deduction in height.
2. Secure end cap to U-angle frame or fixture end header with (2) plastic dart fasteners.



2

### Mounting to Fixture



### Mounting to Straight Extension

