

**INSTALLATION INSTRUCTIONS**

**S-D & P-D-7200 FIXTURE**

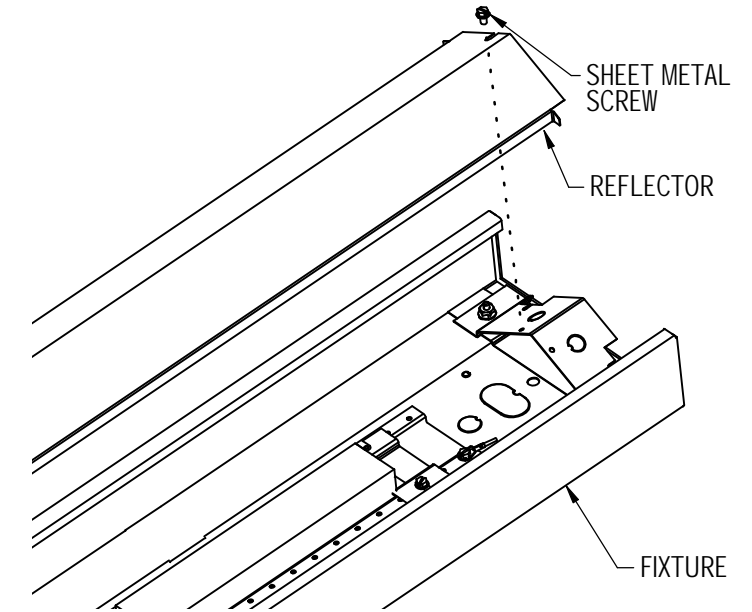
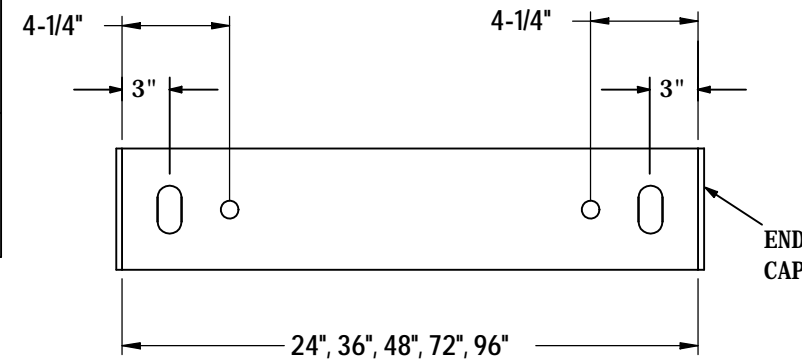
FIXTURE TYPE \_\_\_\_\_

P/C **510488-2000**

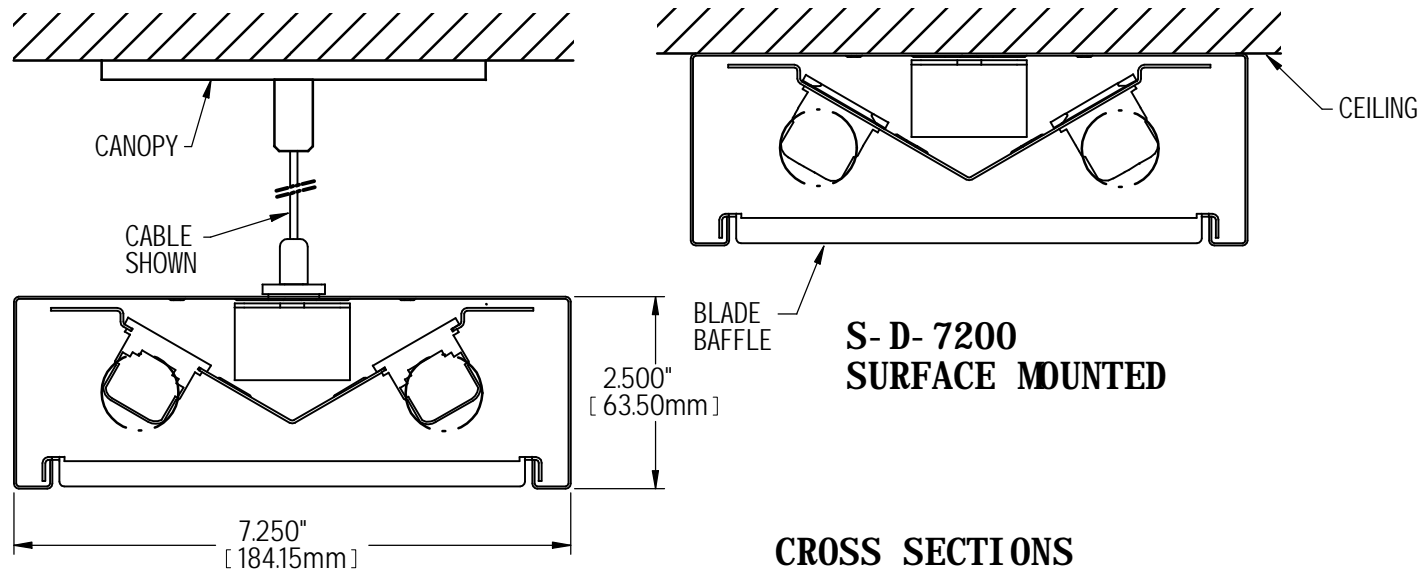
DATE: 9-27-06

PG. 1 OF 2

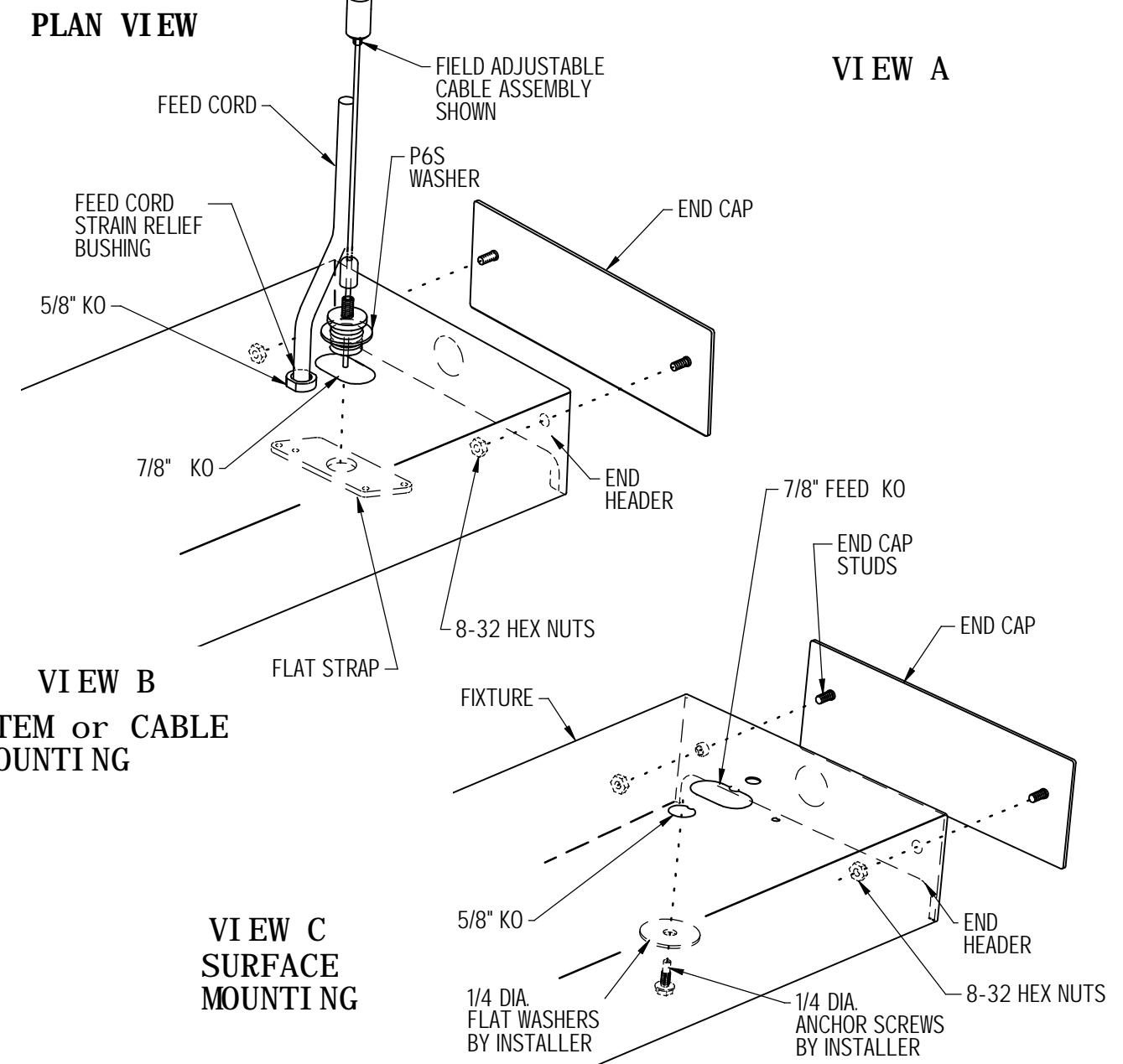
**DO NOT MODIFY OR ALTER THIS PRODUCT IN ANY WAY, OR INSTALL IN ANY FASHION WHICH IS CONTRARY TO THE INSTRUCTIONS CONTAINED HEREIN. IF YOU HAVE ANY QUESTIONS REGARDING THIS PRODUCT OR THE INSTALLATION OF IT, PLEASE CALL LITECONTROL ENGINEERING AT 781-294-0100.**



**FOR SURFACE MOUNTING**  
 ○ = 1/4 DIA. ANCHOR SCREW LOCATIONS  
 ○ = 7/8" DIA. SLOTTED ELECTRICAL FEED KO'S  
**FOR STEM OR CABLE MOUNTING**  
 ○ = 5/8" FEED CORD KO'S  
 ○ = 7/8" SLOTTED KO'S FOR CABLE OR STEMS



**CROSS SECTIONS**



**P-D-7200 PENDANT MOUNTED**

**GENERAL NOTES: (READ SHEETS COMPLETELY BEFORE STARTING)**

1. Leave protective wrapping material on fixture until fixtures are mounted: This will protect finish from damage.
2. Fixtures are supplied with factory installed branch circuit wiring. Refer to supplemental instruction sheet for making connections.
3. Pendant mounted fixtures (P-D-7200) are the same as Surface Mounted Fixtures (S-D-7200), with the exception of how they are installed to ceiling. Approximate weight of fixture is 3 lbs per foot of length.

**INSTRUCTIONS:**

1. Remove Reflector(s) from fixture by removing (2) sheet metal screws and lifting reflector out. See View "A".
2. **MOUNTING INDIVIDUAL FIXTURES:**
  - A) Determine the method of mounting (Surface, Cable or Stem) and remove correct knockouts in top of housing as shown in Plan View above. Stem mounting does not require the removal of the 5/8" KO's. Electrical feed may be brought thru the stems. Two anchor screws (supplied by installer) or cables/stems (supplied by Litecontrol) are required per fixture. Refer to Views "B" or "C".
  - B) Mount End Caps (shipped separately) to both ends of fixture with (2) 8-32 nuts as shown. Before tightening nuts, position End Caps so they are flush with sides of fixture.
  - C) **For SURFACE MOUNTING:** Lift fixture up near ceiling and bring electrical feed thru 7/8" slotted KO and into fixture wireway. Raise fixture up flush to ceiling and secure with (2) anchor screws and washers thru 5/8" KO's into ceiling structure. **For CABLE/STEM MOUNTING:** Refer to instruction sheet shipped with Cables and Stems for attachment at ceiling. Mount Cable or Stems thru 7/8" slotted ko's and secure with Flat Strap. Raise fixture up to ceiling and attach to Canopy hardware. Attach Strain Relief to Feed Cord and insert bushing into 5/8" ko. Level Fixture by adjusting Stem locknuts or Cable grippers side to side.
  - D) Make electrical connections in fixture wireway.

**GO TO STEP 5 ON PAGE 2**

INSTALLATION  
INSTRUCTIONS

FIXTURE TYPE \_\_\_\_\_

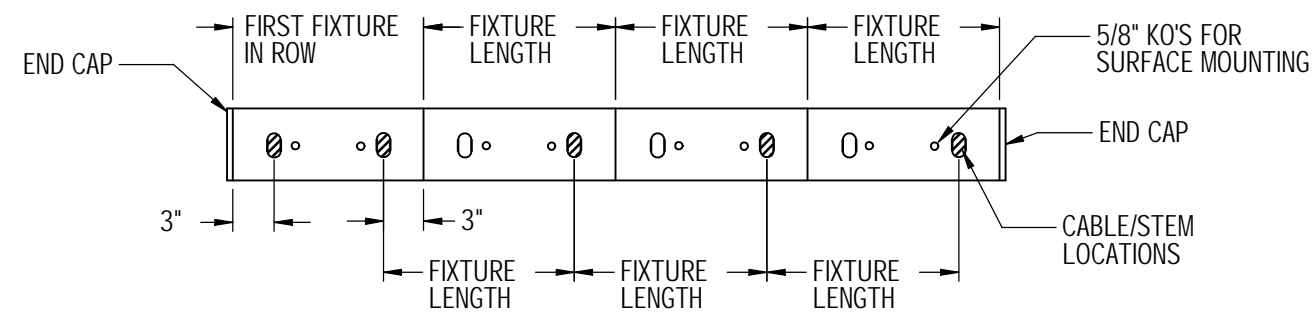
S-D & P-D-7200  
FIXTURE

P/C 510488-2000

DATE: 9-27-06

PG. 2 OF 2

DO NOT MODIFY OR ALTER THIS PRODUCT IN ANY WAY, OR INSTALL IN ANY FASHION WHICH IS CONTRARY TO THE INSTRUCTIONS CONTAINED HEREIN. IF YOU HAVE ANY QUESTIONS REGARDING THIS PRODUCT OR THE INSTALLATION OF IT, PLEASE CALL LITECONTROL ENGINEERING AT 781-294-0100.



**PLAN VIEW FOR ROW MOUNTED FIXTURES**

**3. MOUNTING ROWS OF FIXTURES:**

NOTE: Fixtures are installed connected to each other at row joint per steps below.

- A) Refer to Plan View above and on page 1 for locations of ko's that require removal for each fixture.  
Non-feed Cable/Stem mounted fixtures do not require removal of 5/8" KO's.  
Non-feed Surface mounted fixtures do not require removal of 7/8" slotted KO's
- B) Starting with the first fixture in row, attach an End Cap to one end of fixture per step 2B.
- C) Lift and install first fixture to ceiling per step 2C.
- D) FOR CABLE/STEM MOUNTING: Remove the appropriate 7/8" slotted KO in the top of the next fixture in the row as shown above and attach (1) Cable or Stem. Lift fixture up and mount to canopy hardware or anchor stud: See View "D".  
FOR SURFACE MOUNTING: Remove both 5/8" KO's in top of the next fixture in the row and attach to ceiling per Step 2C. Loosely bolt this fixture to the first fixture at row joint with (2) 1/4-20 x 3/8" long machine screws.  
Branch circuit wires can be brought thru 7/8" holes in end headers at each row joint.
- E) Press a Spline (found in polybag) into each bottom rail at row joint for alignment.
- F) Level each fixture and align seams at row joint before tightening all screws.
- G) Repeat steps 3D, 3E, & 3F for each additional fixture in row.  
Install another End Cap onto the last fixture in the row before installing to ceiling.

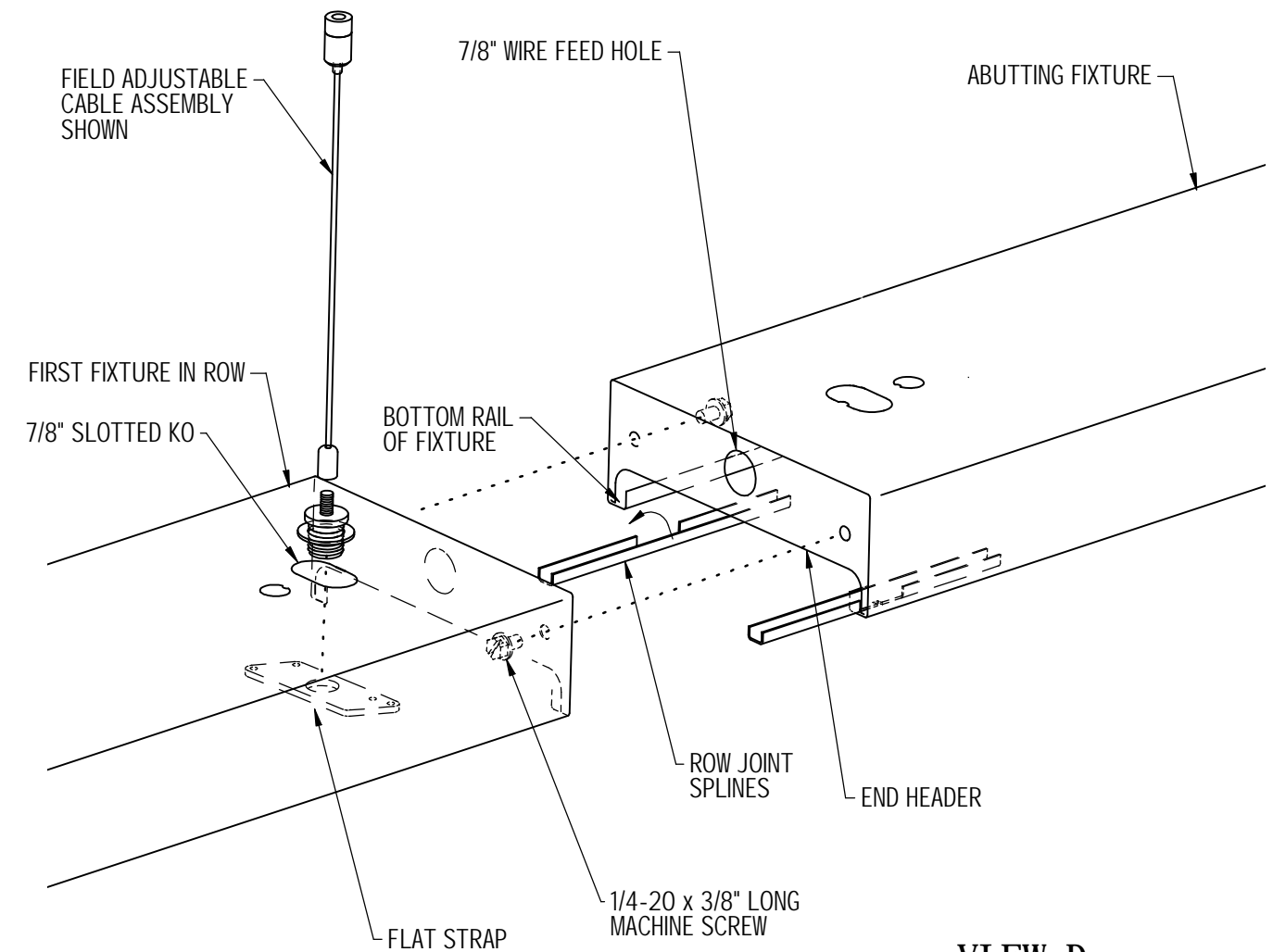
4. Make all wiring connections in fixture wireways.

5. Replace all Reflector(s) and remove all wrapping material.

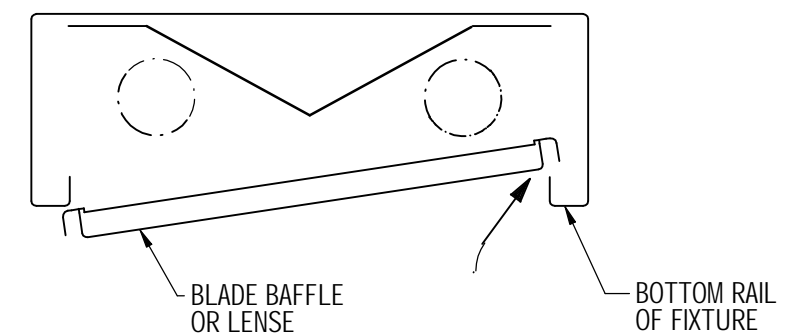
6. Clean fixture exteriors with a general window cleaner and install lamps (by others).  
Install T5 or T5HO lamps by inserting lamp pins into sockets and rotating lamp 90 degrees to lock in place.  
Install T8 lamps by inserting lamp pins straight into sockets until seated.

7. **DIFFUSER INSTALLATION:** Use caution when installing diffusers to prevent lamp damage.

LENSES and BLADE BAFFLES are shifted into fixture opening and rest on top of bottom rails.  
Lenses are installed with the smooth side up.



**VIEW D  
ROW JOINT ASSEMBLY**



**DIFFUSER INSTALLATION**