

**INSTALLATION INSTRUCTIONS**

FIXTURE TYPE \_\_\_\_\_

**SYSTEM CONNECTORS- SE, IC & OC- WALLSLOT 2100**

P/C **510585-1000**

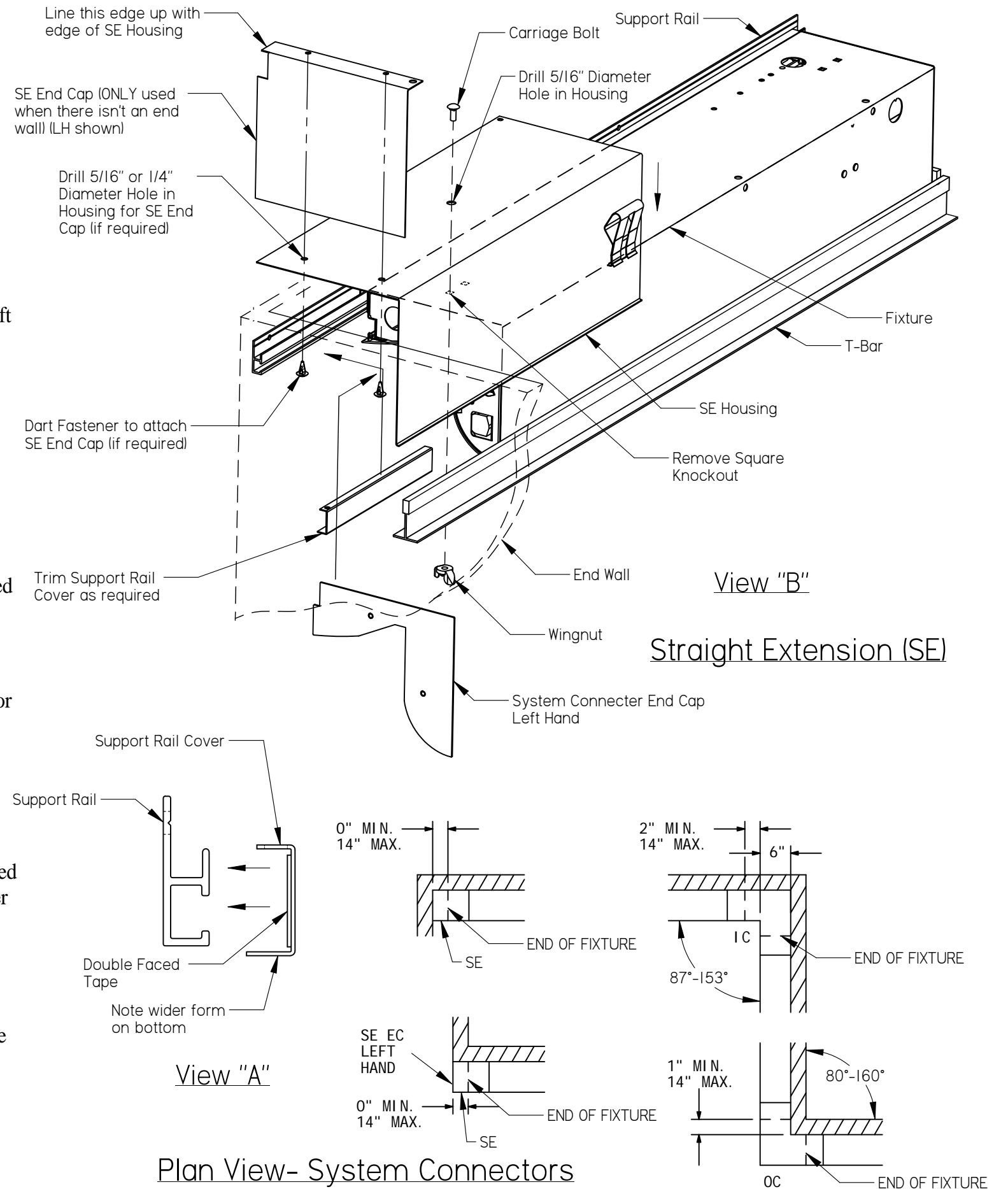
PG. 1 OF 3

DO NOT MODIFY OR ALTER THIS PRODUCT IN ANY WAY, OR INSTALL IN ANY FASHI ON WHICH IS CONTRARY TO THE INSTRUCTIONS CONTAINED HEREIN. IF YOU HAVE ANY QUESTIONS REGARDING THIS PRODUCT OR THE INSTALLATION OF IT, PLEASE CALL LITECONTROL ENGINEERING AT 781-294-0100.

**GENERAL NOTES:**

- A) SUPPORT RAILS, (SHIPPED SEPARATELY) AND FIXTURES MUST BE INSTALLED PRIOR TO MOUNTING STRAIGHT EXTENSIONS AND CORNERS.
- B) REFER TO INSTRUCTION SHEETS 510573 & 510584 FOR THE ABOVE.

1. After fixtures are installed, attach System Connector End Caps (1 per Straight Extension and 2 per Corner) with 6-32 Hex Nuts. Note: Straight Extension's (SE's) are supplied with 2 System Connector End Caps (1 Left Hand and one Right Hand), only 1 of these End Caps are required and the other one can be discarded. Note: When SE's don't butt up against an end wall, a SE End Cap will be required to close off the end. Place form on SE End Cap on top of SE Housing and mark holes from End Cap to SE Housing. Drill 5/16" or 1/4" holes in SE Housing and attach SE End Cap to SE Housing with Dart Fasteners as shown in View "B".
2. Measure distance from End Cap to wall and trim Support Rail Cover to length. Remove backing on double faced tape on Cover and apply to Support Rail as shown. See View "A"  
Note: Position Cover so the wider form of Cover is on bottom. The 14" long Covers with the straight cuts on both ends are for SE's. For Inside Corners use the Covers that are mitered at the ends and are 20 1/2" long. For Outside Corners use the Covers that are mitered at the ends and are 21 1/16" long. The Corner Covers are mitered for 90° and 135° corners only. For all other angles, the miter will need to be modified to fit the angle of the wall.
3. Swing down Ballast Cover in fixture by loosening 1/4-turn fasteners. Remove a Square Knockout in Fixture Housing at end of fixture where System Connector Housing will be installed. Place appropriate System Connector Housing on top of fixture housing and slide up against end wall. Mark inside of System Connector Housing with a marker through the square knockout that was removed. Remove Housing and drill a 5/16" diameter hole in this location.  
Note: For Inside Corners with angles greater than 90°, it will be necessary to trim housing halves with tin snips so they don't interfere with wall. Also for certain angles it may be necessary to trim off tab on Right Hand Housing Half that sits in support rail to avoid interference with Left Hand Housing. See View "C"
4. Place System Connector Housing back on top of fixture housing. Insert Carriage Bolt into hole that was drilled in top of housing and through square knockout and loosely attach with Wingnut. For Corners repeat for other Housing Half.  
Note: Left Hand Housing needs to be installed first- Right Hand Housing Half rests on top of Left Hand Housing. See View "C"
5. After Corner housings are in place, attach correct Corner Angle to housing halves by removing backing on double faced tape and apply to housings. Make sure housings are butted up against each other tight and there isn't a gap. Corners are supplied with 90° & 135° Corner Angles. For other angles, it will be necessary to modify these angles to fit. Once Corner Angles are attached, Wingnuts can be tightened.
6. Swing ballast Cover back into position and fasten with 1/4-turn fasteners. Clean all exposed surfaces with a general window cleaner.



INSTALLATION INSTRUCTIONS

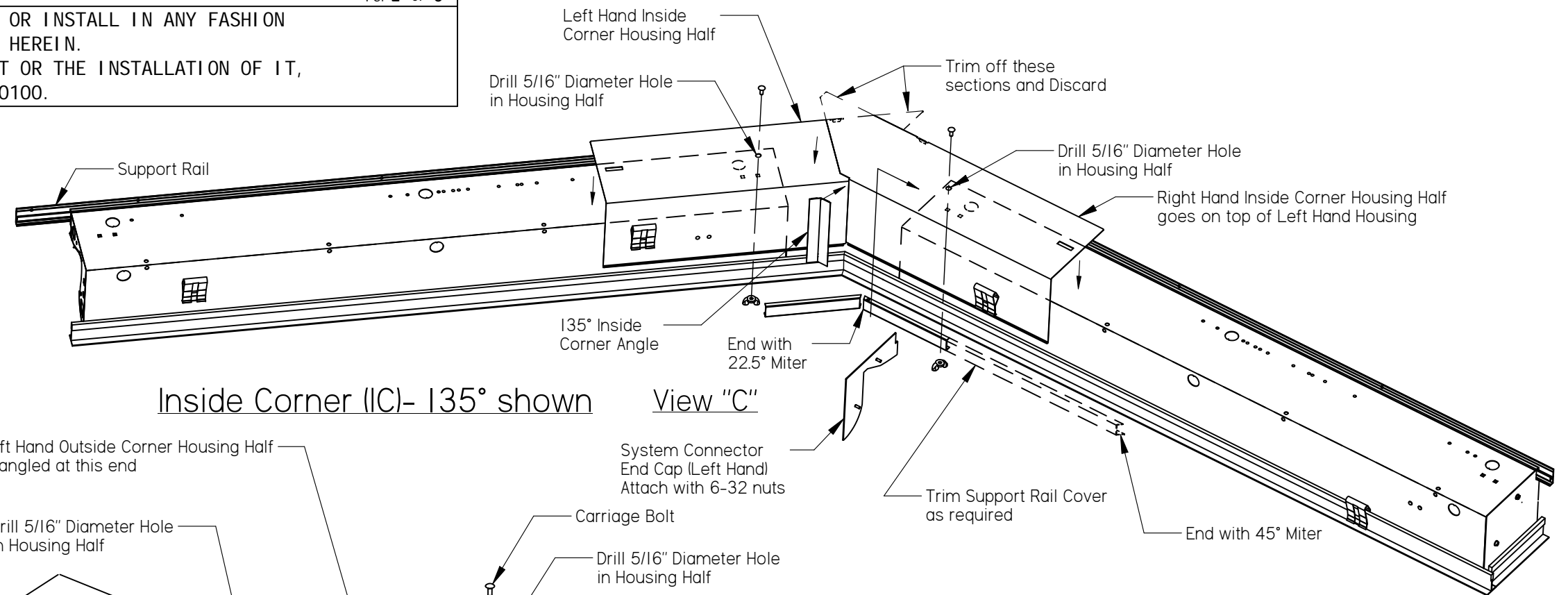
FIXTURE TYPE \_\_\_\_\_

SYSTEM CONNECTORS- SE, IC & OC- WALLSLOT 2100

P/C 510585-1000

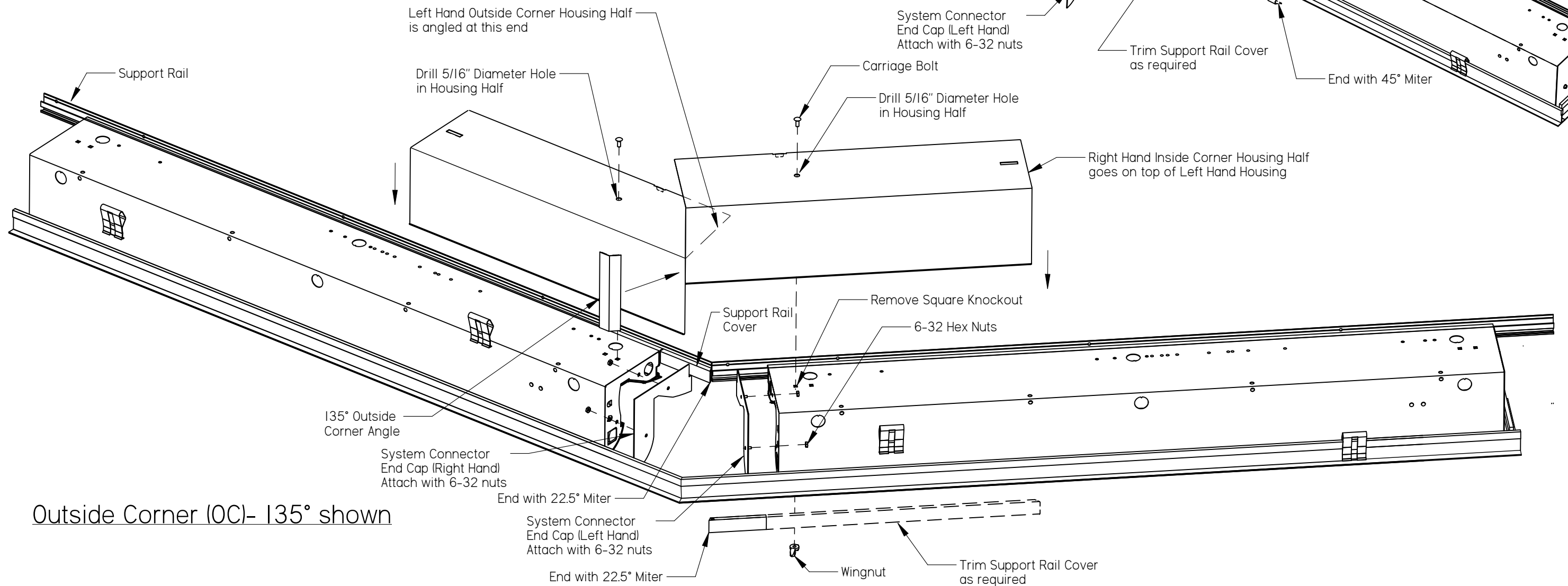
PG. 2 OF 3

DO NOT MODIFY OR ALTER THIS PRODUCT IN ANY WAY, OR INSTALL IN ANY FASHION WHICH IS CONTRARY TO THE INSTRUCTIONS CONTAINED HEREIN. IF YOU HAVE ANY QUESTIONS REGARDING THIS PRODUCT OR THE INSTALLATION OF IT, PLEASE CALL LITECONTROL ENGINEERING AT 781-294-0100.



Inside Corner (IC)- 135° shown

View "C"



Outside Corner (OC)- 135° shown

INSTALLATION INSTRUCTIONS

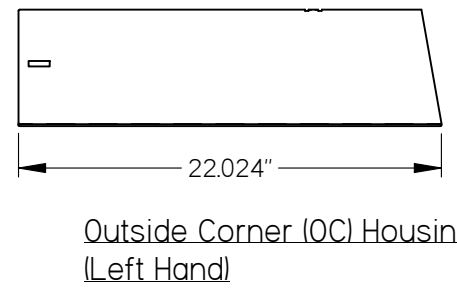
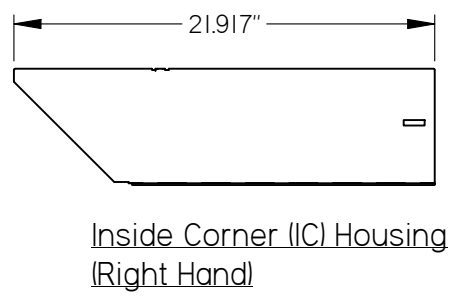
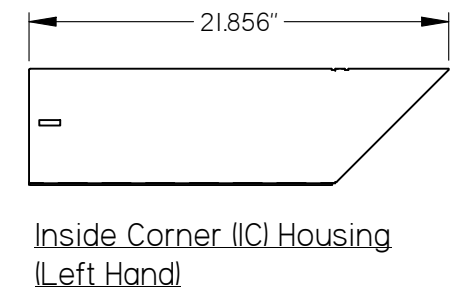
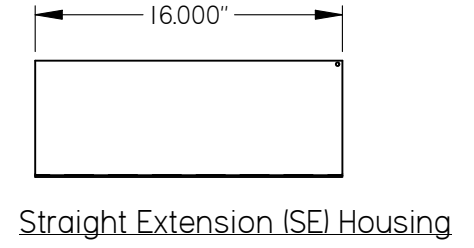
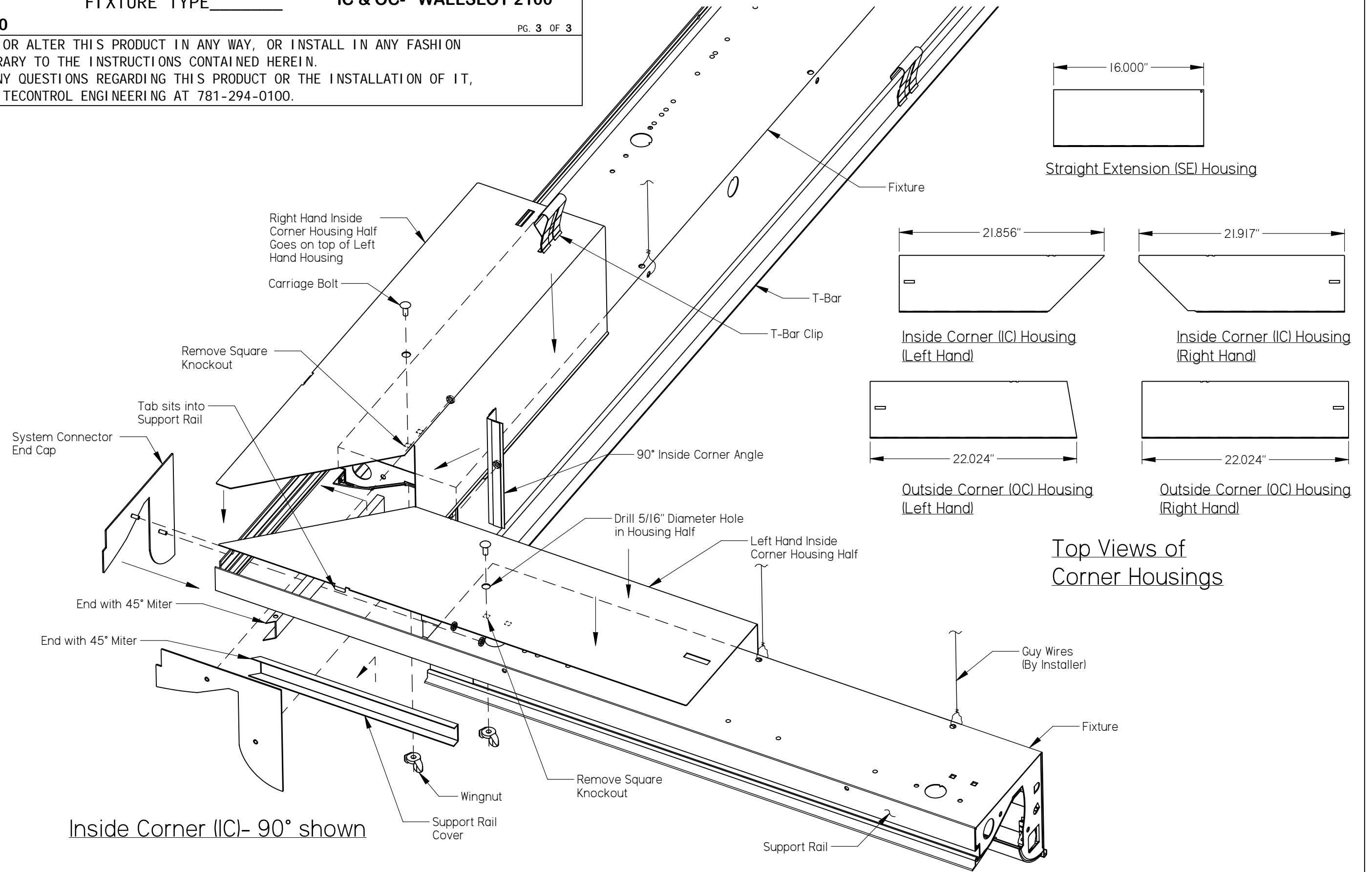
FIXTURE TYPE \_\_\_\_\_

SYSTEM CONNECTORS- SE, IC & OC- WALLSLOT 2100

P/C 510585-1000

PG. 3 OF 3

DO NOT MODIFY OR ALTER THIS PRODUCT IN ANY WAY, OR INSTALL IN ANY FASHION WHICH IS CONTRARY TO THE INSTRUCTIONS CONTAINED HEREIN. IF YOU HAVE ANY QUESTIONS REGARDING THIS PRODUCT OR THE INSTALLATION OF IT, PLEASE CALL LITECONTROL ENGINEERING AT 781-294-0100.



Top Views of Corner Housings

Inside Corner (IC)- 90° shown