



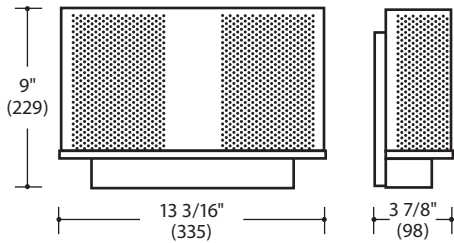
Type:  
Project:

## Classica ADA Sconce

W-ID-55S

Wall-Mounted

### Specifications




**HOUSING.** Perforated front is die-formed .032" thick aluminum with .045" diameter staggered holes .088" OC, 172 holes per square inch, 24% open. White acrylic diffusing panel retained behind. Base of fixture is die-cast aluminum.

**LAMPING.** Available in two-lamp 18- or 26-watt quad, 4-pin electronic compact fluorescent.


**BALLAST.** Electronic Ballast (ELB), high power factor, thermally protected Class P, Sound Rated A, less than 10% THD, manufactured by a UL Listed manufacturer, as available, determined by Litecontrol. Ballasts with a voltage range of 120 to 277 will be used when fixture configuration and ballast availability allow.

**MOUNTING.** Mounting plate on back of fixture measures 5" wide x 7 5/8" high for mounting to 2" x 3" outlet box positioned horizontally.

**CERTIFICATION.** Fixture and electrical components shall be UL Listed and shall bear the I.B.E.W., A.F. of L. label. 

Note: Litecontrol reserves the right to change specifications without notice for product development and improvement.

### Ordering guide

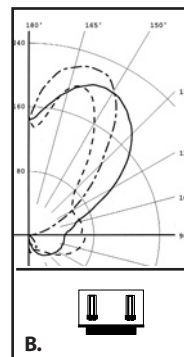
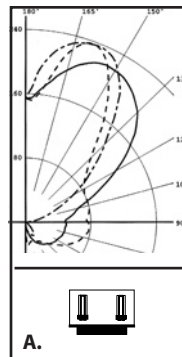
Product, lamping, & length					Options			
<b>W -</b>	<b>ID -</b>	<b>55S</b>	<b>2</b>	<b>18Q</b>	<b>CWM -</b>	<b>ELB -</b>	<b>F -</b>	<b>120</b>
Mounting	Distribution	Series	Lamp Count	Lamp Type	Finish	Ballast	Other Options	Volts
<b>W</b> Wall-Mounted	<b>ID</b> Indirect/ Direct	<b>55S</b>	<b>2</b>	<b>18Q</b> <b>26Q</b>	<b>CWM</b> (Matte White) is standard  see <i>LiteColors™</i> in Product Guide for other finishes	<b>ELB</b> is standard  <b>DA/ELB</b>  see <b>Ballast</b> <b>options</b>	<b>F</b> <b>FP</b>  see <b>Other</b> <b>options</b>	<b>120</b> <b>277</b>
<b>Cross-section lamping</b>								
								
<b>2-18Q or 26Q</b>								

**W-ID-55S218Q-CWM-ELB-F-120** is a typical catalog number for a 2-lamp 18-watt quad compact fluorescent fixture with Matte White finish, electronic ballast, fuse, 120 volts.

#### Questions to Ask

1. 120 or 277 volt? 2. White, *LiteColor*, or special color? 3. Other options?

## Photometric data



**A.** W-ID-55S218 70% Wall Reflectance  
ITL Certified Test Report #ITL45927

**B.** W-ID-55S218 50% Wall Reflectance  
ITL Certified Test Report #ITL45926

For complete photometric information,  
see website.

## Ballast options

Specify in place of **ELB**, contact factory for availability/compatibility with lampping:

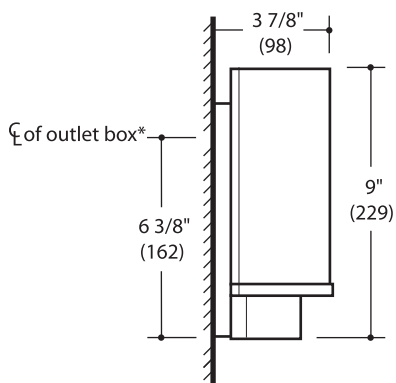
**DA/ELB** Advance Mark VII Dimming Ballast. **26-watt only**

## Other options

**F** Fuse. Slow or fast blow, determined by Litecontrol.

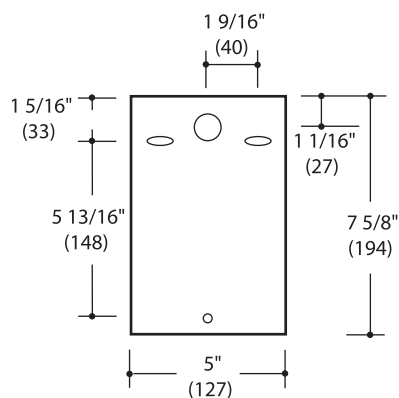
**FP** Uplight Diffuser. Flat Matte White, .100" thick acrylic. **18-watt lamp only**

## Planning for installation



\* 2" x 3" electrical switch box  
mounted horizontally

### Mounting Plate



- 7/8" dia. hole
- ◡ 1/4" x 5/8" slots

Click on  
**Quick Find 55s**



litecontrol.com

**LITECONTROL** ... an employee owned company

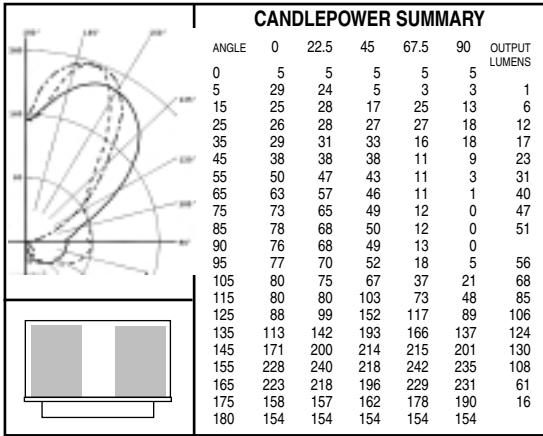
100 Hawks Avenue Hanson MA 02341 781 294 0100

FAX 781 293 2849

info@litecontrol.com

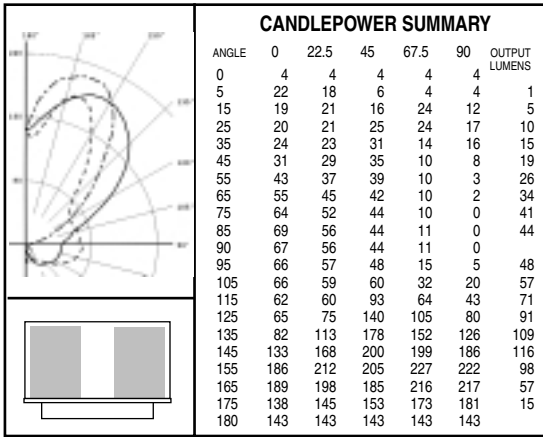
litecontrol.com

**PHOTOMETRIC DATA**



RCC RW	80				70				50				30				10				0
	70	50	30	10	70	50	30	10	50	30	10	50	30	10	50	30	10	10	30	10	0
RCR																					0
0	.40	.40	.40	.40	.35	.35	.35	.35	.27	.27	.27	.19	.19	.19	.12	.12	.12	.09			
1	.35	.33	.31	.29	.31	.29	.28	.26	.22	.21	.20	.15	.15	.14	.09	.09	.08	.06			
2	.31	.28	.26	.23	.28	.25	.23	.21	.19	.17	.16	.13	.12	.11	.08	.07	.06	.04			
3	.28	.24	.21	.19	.25	.22	.19	.17	.16	.14	.13	.11	.10	.09	.06	.06	.05	.03			
4	.26	.21	.18	.16	.23	.19	.16	.14	.14	.12	.11	.10	.08	.07	.06	.05	.04	.02			
5	.24	.19	.16	.13	.21	.17	.14	.12	.12	.10	.09	.09	.07	.06	.05	.04	.03	.02			
6	.22	.17	.14	.11	.19	.15	.12	.10	.11	.09	.08	.08	.06	.05	.04	.04	.03	.01			
7	.20	.15	.12	.10	.17	.13	.11	.09	.10	.08	.06	.07	.05	.04	.04	.03	.02	.01			
8	.18	.14	.10	.08	.16	.12	.09	.07	.09	.07	.06	.06	.05	.04	.04	.03	.02	.01			
9	.17	.12	.09	.07	.15	.11	.08	.07	.08	.06	.05	.06	.04	.03	.03	.02	.02	.01			
10	.16	.11	.08	.06	.14	.10	.07	.06	.07	.06	.04	.05	.04	.03	.03	.02	.02	.01			
Floor Cavity Reflectance .20																					

ZONE	LUMENS	% LAMP	% LUMINAIRE
0-30°	20	0.8	2.0
0-40°	37	1.5	3.8
0-60°	91	3.6	9.2
0-90°	228	9.1	23.2
90-120°	210	8.4	21.3
90-130°	316	12.6	32.1
90-150°	570	22.8	57.9
90-180°	756	30.2	76.8
0-180°	984	39.3	100.0
39.3% Efficiency			



RCC RW	80				70				50				30				10				0
	70	50	30	10	70	50	30	10	50	30	10	50	30	10	50	30	10	10	30	10	0
RCR																					0
0	.35	.35	.35	.35	.31	.31	.31	.31	.23	.23	.23	.17	.17	.17	.11	.11	.11	.08			
1	.31	.29	.27	.26	.27	.25	.24	.23	.19	.18	.17	.13	.13	.12	.08	.08	.07	.05			
2	.27	.25	.22	.20	.24	.22	.20	.18	.16	.15	.14	.11	.10	.09	.07	.06	.05	.03			
3	.25	.21	.19	.16	.22	.19	.17	.15	.14	.12	.11	.10	.09	.08	.06	.05	.04	.02			
4	.23	.19	.16	.14	.20	.16	.14	.12	.12	.11	.09	.08	.07	.06	.05	.04	.03	.02			
5	.21	.16	.14	.11	.18	.15	.12	.10	.11	.09	.08	.07	.06	.05	.04	.03	.03	.02			
6	.19	.15	.12	.10	.17	.13	.10	.09	.10	.08	.07	.07	.05	.04	.04	.03	.02	.01			
7	.17	.13	.10	.08	.15	.12	.09	.07	.09	.07	.06	.06	.05	.04	.03	.03	.02	.01			
8	.16	.12	.09	.07	.14	.10	.08	.06	.08	.06	.05	.05	.04	.03	.03	.02	.02	.01			
9	.15	.11	.08	.06	.13	.09	.07	.06	.07	.05	.04	.05	.04	.03	.03	.02	.02	.01			
10	.14	.10	.07	.06	.12	.09	.06	.05	.07	.05	.04	.05	.03	.03	.03	.02	.01	.01			
Floor Cavity Reflectance .20																					

ZONE	LUMENS	% LAMP	% LUMINAIRE
0-30°	17	0.7	2.0
0-40°	32	1.3	3.7
0-60°	77	3.1	9.0
0-90°	196	7.8	22.8
90-120°	177	7.1	20.6
90-130°	268	10.7	31.2
90-150°	493	19.7	57.4
90-180°	663	26.5	77.2
0-180°	859	34.4	100.0
34.4% Efficiency			

