

INSTALLATION
INSTRUCTIONS

FIXTURE TYPE _____

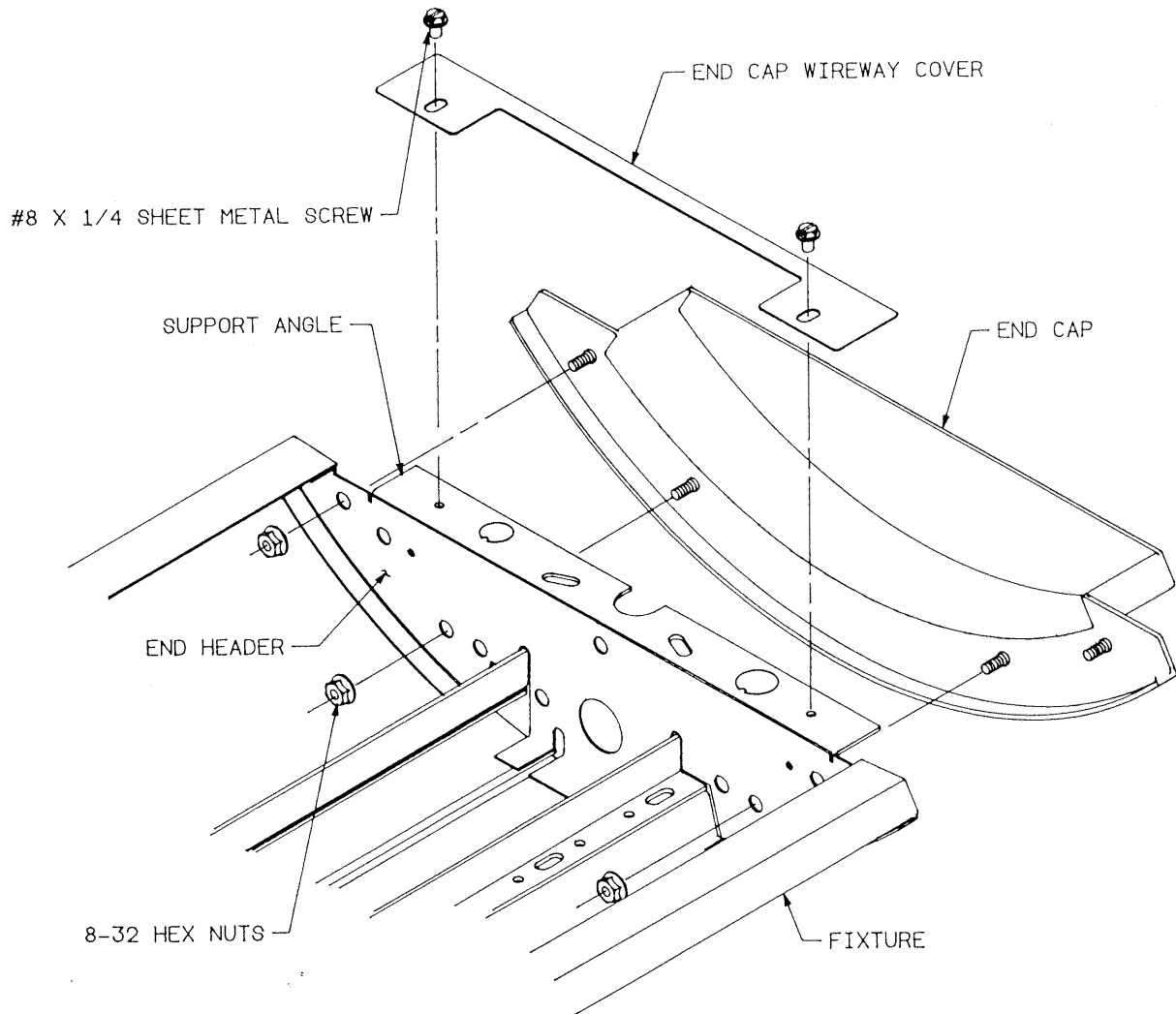
P-1-5500 CLASSICA
END CAP

PART
NO. 510303-3000

PATENT NO. 363,805

PG. 1
OF 1

DO NOT MODIFY OR ALTER THIS PRODUCT IN ANY WAY, OR INSTALL IN ANY FASHION WHICH IS CONTRARY TO THE INSTRUCTIONS CONTAINED HEREIN. IF YOU HAVE ANY QUESTIONS REGARDING THIS PRODUCT OR THE INSTALLATION OF IT, PLEASE CALL LITECONTROL ENGINEERING AT 781-294-0100.



INSTRUCTIONS:

1. END CAPS AND WIREWAY COVERS ARE TO BE ATTACHED TO BOTH ENDS OF AN INDIVIDUAL FIXTURE OR AT EACH END OF A ROW OF FIXTURES. SECURE END CAP TO FIXTURE END HEADER WITH (4) 8-32 HEX NUTS. ATTACH WIREWAY COVERS TO SUPPORT ANGLE USING (2) #8 X 1/4 LG SHEET METAL SCREWS.
2. END CAPS MUST BE FLUSH AND ALIGNED WITH SHAPE OF FIXTURE AFTER ASSEMBLY.

LITECONTROL

100 HAWKS AVENUE - PO BOX 100 - HANSON MA 02341, (781-294-0100)

AR16