

**INSTALLATION
INSTRUCTIONS**

FIXTURE TYPE _____

**SOCKET SPACER PLATE
SUPPLEMENT, PID-9000**

PART
NO. **510283-1000**

Pg. 1
OF 1

DO NOT MODIFY OR ALTER THIS PRODUCT IN ANY WAY, OR INSTALL IN ANY FASHION WHICH IS CONTRARY TO THE INSTRUCTIONS CONTAINED HEREIN.
IF YOU HAVE ANY QUESTIONS REGARDING THIS PRODUCT OR THE INSTALLATION OF IT, PLEASE CALL LITECONTROL ENGINEERING AT 617-294-0100.

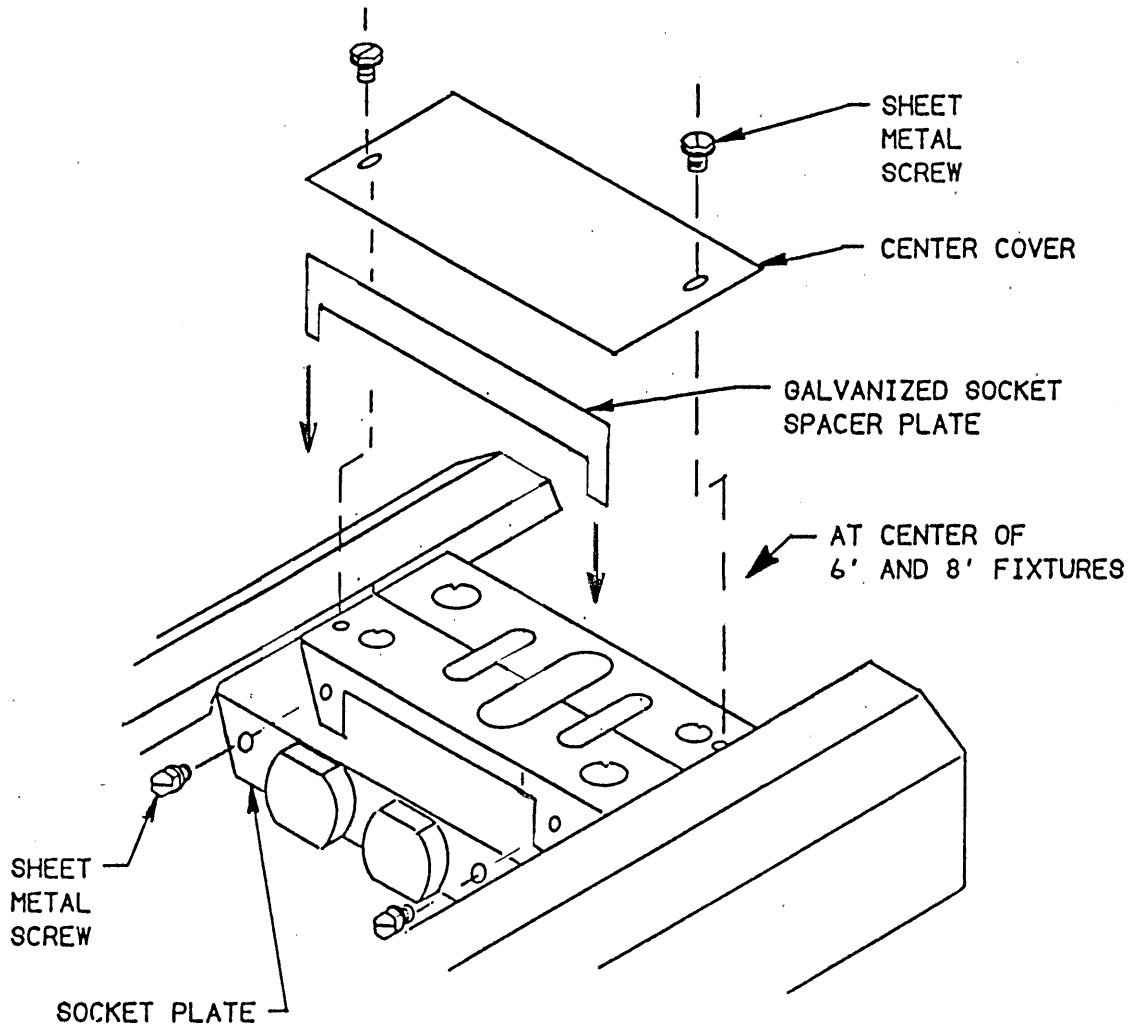
INSTRUCTIONS:

TO INSTALL OR REMOVE SOCKET SPACER PLATE:

LOOSEN (2) SOCKET PLATE SHEET METAL SCREWS AND SLIDE SPACER PLATE

IN BEHIND SOCKET PLATE UNTIL SPACER SEATS ON SCREWS: RE-TIGHTEN SCREWS.

NOTE: IT MAY BE NECESSARY TO REMOVE THE CENTER COVER IN ORDER TO SLIDE SPACER PLATE IN.



LITECONTROL

100 HAWKS AVENUE - PO BOX 100 - HANSON MA 02341, (617-294-0100)