

INSTALLATION INSTRUCTIONS

P/C 510156-3000

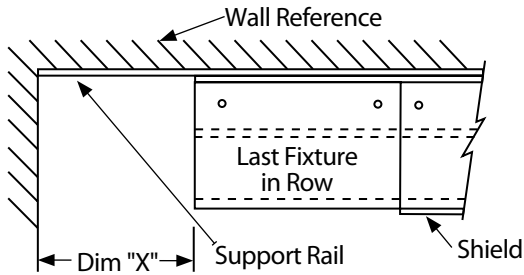
Fixture Type

Wall/Slot 85N

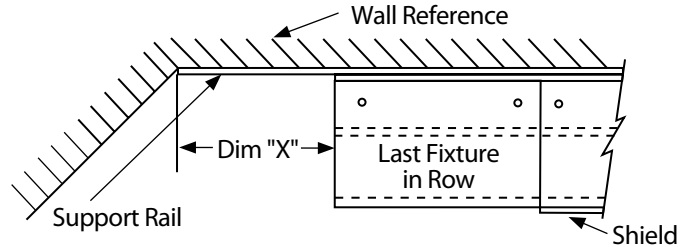
Extension Kits (SE and ASE)

Do not modify or alter this product in any way, or install in any fashion which is contrary to the instructions contained herein. If you have any questions regarding this product or the installation of it, please call Litecontrol Engineering at 781-294-0100.

Top View - Straight Extension (SE) Ceiling Opening



Top View - Angled Straight Extension (ASE) Ceiling Opening

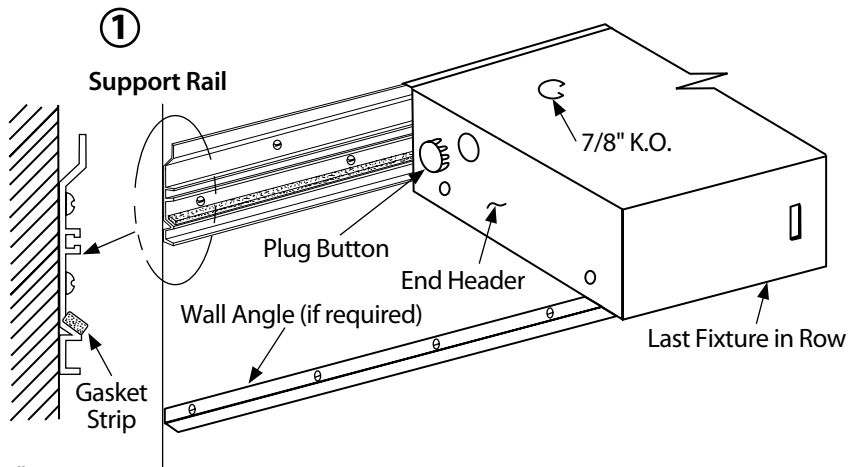


NOTE: Be sure the shield on the last fixture in row is not installed at this time.

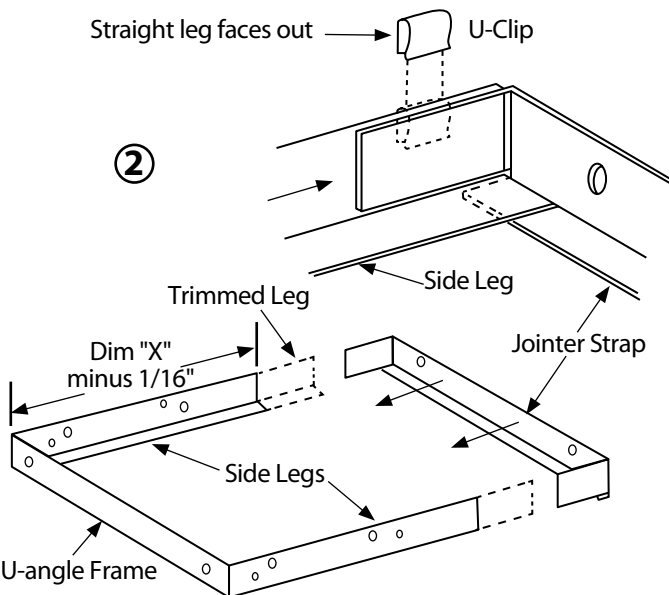
Instructions:

- 1.a.** Measure ceiling opening (Dim. "X") and cut gasket strip to match Dim. "X". Peel off adhesive backing and apply to support rail.
- b.** Snap plug button into 7/8" diameter hole in end header.

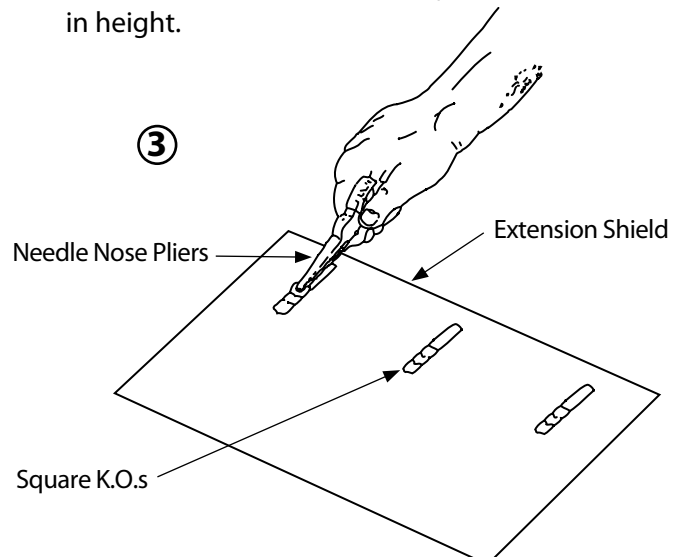
NOTE: Do not route flex feed thru end header or it may interfere with installation of filler plate.



- 2.a.** Trim side legs to a length of Dim. "X" minus 1/16".
- b.** Slide joiner strap inside U-angle frame and press U-clips over both pieces until seated (typical both side legs).



- 3.** If the dimension from the top of fixture to bottom of shield is less than 10 1/2", remove square K.O.s in slots of extension shield. Remove only the K.O.s required for correct height and adjustment. Each K.O. removed allows for 1/4" deduction in height.



INSTALLATION INSTRUCTIONS

P/C 510156-3000

Fixture Type

Wall/Slot 85N

Extension Kits (SE and ASE)

Do not modify or alter this product in any way, or install in any fashion which is contrary to the instructions contained herein.
If you have any questions regarding this product or the installation of it, please call Litecontrol Engineering at 781-294-0100.

4.a. Attach U-angle Assembly to fixture end header with (2) No. 8 x 3/8" long screws and nuts.

b. Insert (2) No. 8 screws (by others) thru holes in U-angles and into wall opposite end header.

Note: Make sure frame is level.

c. Insert plastic dart fasteners into bottom row of holes on wall side of U-angle frame.

5. Insert straight extension shield into end of row fixture shield.

6.a. Lift fixture shield in behind end of row fixture so that shield mounting screws protrude into housing slots. Secure with washers and wing nuts provided with fixture shields.

b. Slide extension shield to wall and secure to U-angle with dart fasteners.

c. Trim length of filler plate to Dim "X" minus 3/8".

d. Lift and shift filler plate into opening and rest on bottom flanges of U-angle.

For "R" and "F" position diffusers

1. Trim a piece of wall angle to DIM "X". (Wall angle is shipped separately in 96" lengths.)
2. Cut length of 1/32" thick adhesive-backed tape strap to Dim "X". Peel off backing on (1) side of tape and apply to hole side of angle.
3. Peel off opposite backing on strap and apply diffuser angle to extension shield at same height as fixture shield angle. (Be sure to apply pressure along the entire length of the angle to ensure adhesive contact.)

