

INSTALLATION INSTRUCTIONS

WALL SLOT 2100

FIXTURE TYPE _____

P/C 510584-0000

PG. 1 OF 2

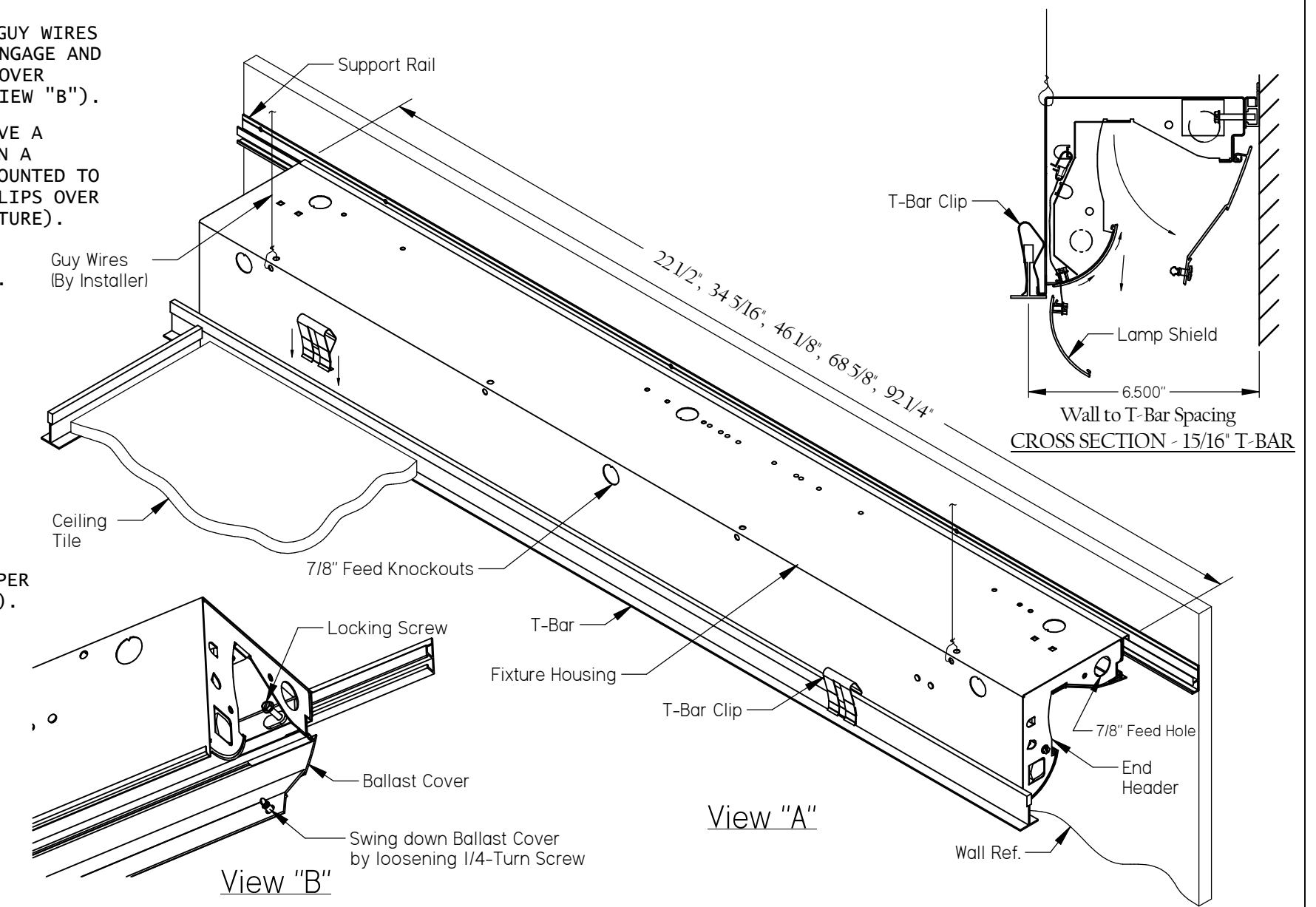
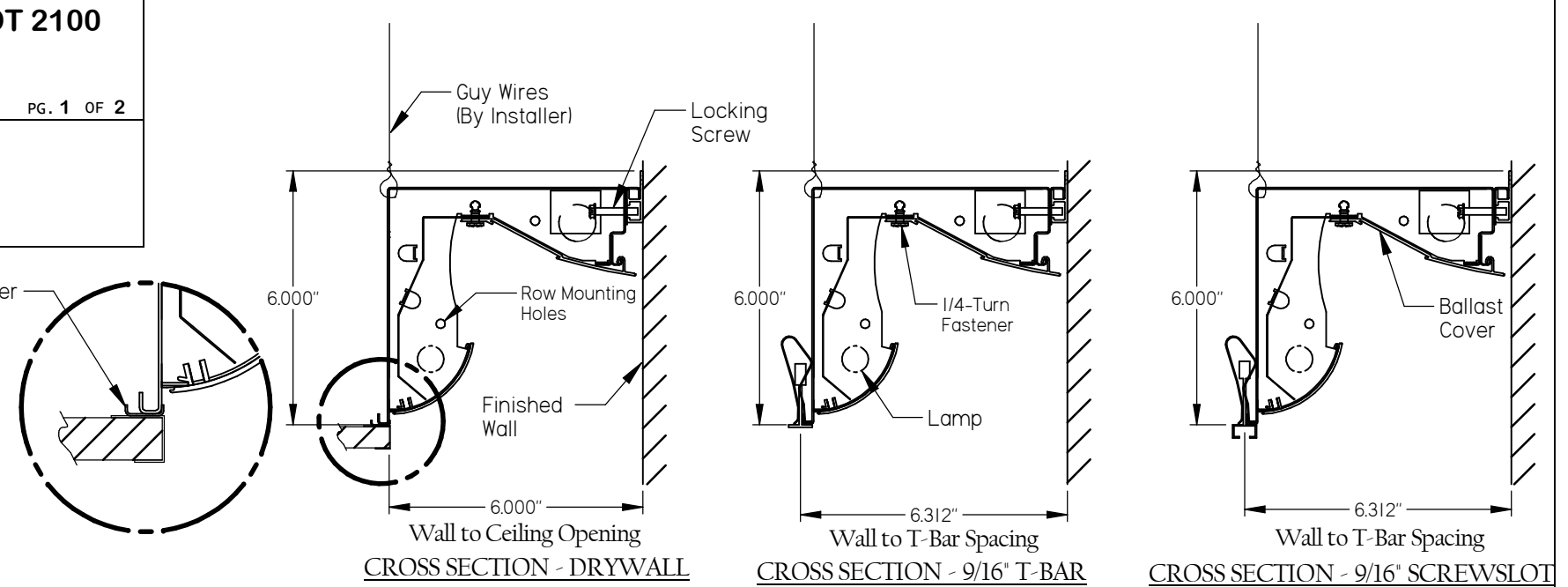
DO NOT MODIFY OR ALTER THIS PRODUCT IN ANY WAY, OR INSTALL IN ANY FASHION WHICH IS CONTRARY TO THE INSTRUCTIONS CONTAINED HEREIN. IF YOU HAVE ANY QUESTIONS REGARDING THIS PRODUCT OR THE INSTALLATION OF IT, PLEASE CALL LITECONTROL ENGINEERING AT 781-294-0100.

GENERAL NOTES:

- A) FOR DRYWALL CEILING, FIXTURES MUST BE INSTALLED PRIOR TO HANGING CEILING. FOR GRID CEILING, FIXTURES DON'T NEED TO BE INSTALLED PRIOR TO CEILING.
- B) WALL SURFACE MUST BE FINISHED A MINIMUM OF 5" ABOVE CEILING LINE.
- C) ALL SUPPORT RAILS (SHIPPED SEPARATELY) MUST BE INSTALLED PRIOR TO MOUNTING FIXTURES: REFER TO INSTRUCTION SHEET 510573.
- D) BE SURE TO HAVE THE CORRECT CEILING OPENING FOR DRYWALL CEILINGS, AND THE CORRECT WALL TO T-BAR SPACING FOR GRID CEILINGS. SEE CROSS SECTIONS

INSTRUCTIONS:

1. WIRE FEED MAY BE BROUGHT INTO FIXTURE THRU 7/8" HOLE AT EITHER END OR THRU THE 7/8" KO'S IN BACK OR TOP OF HOUSING.
2. REMOVE FIXTURE FROM CARTONING AND LIFT FIXTURE ONTO THE SUPPORT RAIL. ATTACH GUY WIRES FROM OVERHEAD CEILING STRUCTURE AND LEVEL. ROTATE LAMP SHIELD UPWARDS TO DISENGAGE AND ALLOW TO HANG DOWN ON THE THERS. LOOSEN 1/4-TURN FASTENERS AND SWING BALLAST COVER DOWN. SCREW IN LOCKING SCREWS AS SHOWN TO LOCK FIXTURE IN SUPPORT RAIL (SEE VIEW "B").
3. FOR GRID CEILINGS, REST BOTTOM OF FIXTURE ON T-BAR. FOR FIXTURES THAT WILL HAVE A STRAIGHT EXTENSION OR A CORNER ATTACHED TO IT, BE SURE NOT TO PUT GUY WIRES IN A LOCATION THAT WILL INTERFERE WITH THE SYSTEM CONNECTOR HOUSING THAT WILL BE MOUNTED TO THE FIXTURE. FOR SYSTEM CONNECTOR INSTRUCTIONS SEE SHEET 510585. SNAP T-BAR CLIPS OVER T-BAR AND INTO BOTTOM RAIL OF FIXTURE HOUSING (2 PER 2'-4", 3 PER 6' & 8' FIXTURE). SEE VIEW "A"
4. BOLT FIXTURES TOGETHER IN ROW WITH (2) 8-32 MACHINE SCREWS (FOUND IN POLYBAG). (SEE VIEW "C" ON PAGE 2). REPEAT FOR EACH FIXTURE IN ROW. TIGHTEN ALL ROW MOUNTING SCREWS AND MAKE WIRING CONNECTIONS: WIRE FEED MAY BE BROUGHT INTO ADJACENT FIXTURES THRU 7/8" HOLES IN END HEADERS.
5. REPEAT STEPS 2, 3 & 4 FOR EACH ADDITIONAL FIXTURE IN ROW.
6. FOR ROWS REQUIRING SYSTEM CONNECTORS (STRAIGHT EXTENSIONS OR CORNERS), INSTALL THEM AT THIS TIME. REFER TO INSTRUCTION SHEET 510585.
7. FOR FIXTURES THAT DON'T BUTT UP AGAINST AN END WALL, A PLENUM END CAP IS REQUIRED. ATTACH END CAP WITH 8-32 MACHINE SCREWS AND NUTS (NUTS ARE ONLY REQUIRED ON LEFT HAND END OF FIXTURE). SEE VIEW "D"
8. FOR FIXTURES BEING INSTALLED IN DRYWALL CEILING: PEEL OFF ADHESIVE BACKING PAPER ON THE 48" LONG SPLINE RUNNERS AND FIRMLY APPLY TO CEILING J-ANGLE (BY OTHERS). NOTE: CLEAN J-ANGLE SURFACE PRIOR TO ATTACHING RUNNERS FOR A GOOD BOND. MOUNT ADDITIONAL SPLINE RUNNERS ALONG FULL LENGTH OF CEILING OPENING IN A STRAIGHT LINE. FIELD CUT RUNNERS TO SUIT OPENING. SEAT BOTTOM OF FIXTURE INTO THE SPLINE RUNNERS.
9. INSTALL LAMPS AND REPLACE BALLAST COVERS AND LAMP SHIELDS. CLEAN EXPOSED FIXTURE SURFACES WITH A GENERAL WINDOW CLEANER.



INSTALLATION
INSTRUCTIONS

WALL SLOT 2100

FIXTURE TYPE _____

P/C 510584-0000

PG. 2 OF 2

DO NOT MODIFY OR ALTER THIS PRODUCT IN ANY WAY, OR INSTALL IN ANY FASHION WHICH IS CONTRARY TO THE INSTRUCTIONS CONTAINED HEREIN.
IF YOU HAVE ANY QUESTIONS REGARDING THIS PRODUCT OR THE INSTALLATION OF IT, PLEASE CALL LITECONTROL ENGINEERING AT 781-294-0100.

