

INSTALLATION
INSTRUCTIONS

FIXTURE TYPE _____

EQ/P6 STEM ASSY
P-I, P-S/I-9800

P/C 510378-4000

PG. 1 OF 2

DO NOT MODIFY OR ALTER THIS PRODUCT IN ANY WAY, OR INSTALL IN ANY FASHION WHICH IS CONTRARY TO THE INSTRUCTIONS CONTAINED HEREIN. IF YOU HAVE ANY QUESTIONS REGARDING THIS PRODUCT OR THE INSTALLATION OF IT, PLEASE CALL LITECONTROL ENGINEERING AT 781-294-0100.

GENERAL NOTES:

1. The EQ/P6 stem assembly is made to install over the following outlet boxes: (3-1/2" Octagon, 4" x 2-1/8" Handy box, 3" x 2" Switchbox and plaster ring with 2-3/4" mtg. holes) OR a 2" dia. x 1/2" deep clearance hole in ceiling. Outlet boxes must be mounted flush to ceiling.

WARNING: The National Electric Code requires that any fixture weighing more than (50) pounds be independently supported of an outlet box.

2. Fixtures in rows must be supported by a minimum of one stem at the junction of each two fixtures plus one at each end of the row. This is considered by "Underwriters Laboratories" as equivalent to two stems (or cables) per fixture.

3. These fixture supports are to be used only in conjunction with LITECONTROL products for which they were furnished. DO NOT use them for support of any other items or in any fashion which is contrary to this instruction sheet.

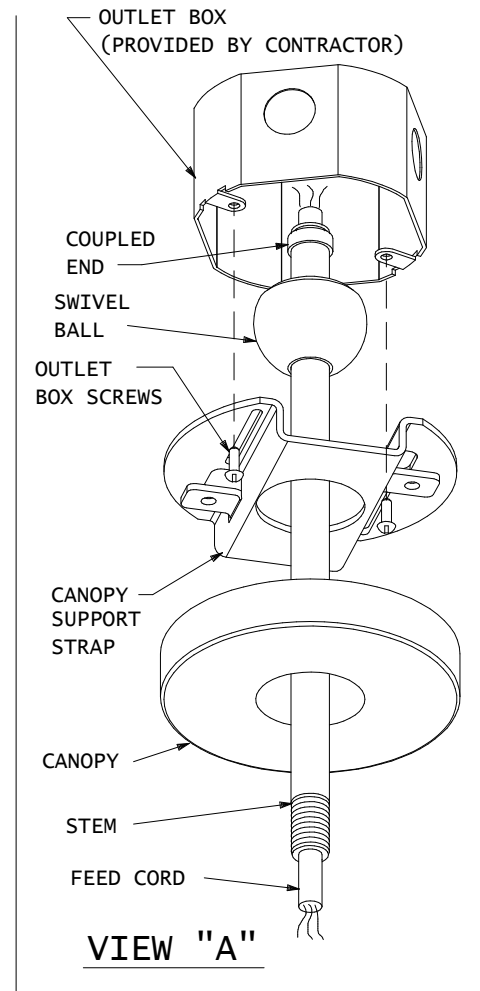
INSTALLATION OF EQ/P6 ASSEMBLIES TO CEILING:

(Refer to view "A")

1. At electrical feed locations, make wiring connections in outlet box and let feed cord hang down.
2. Retrieve nylon swivel ball from polybag kit and slide it onto stem until ball seats over coupled end of stem. Insert swivel ball and stem thru hole in canopy support strap.
3. While sliding feed cord thru stem, lift stem and support strap to ceiling and attach to outlet box with outlet box screws. Refer to fixture instructions for stem locations.
4. For coupled stem assemblies, slide swivel ball on, and thread the two stems together with the NPSC coupling, See view "B"

INSTALLATION OF FIXTURES TO STEMS:

Note: The EQ bracket must be positioned above the top of lamp as shown in View "C".



1. Refer to instructions packaged with fixture to prepare it for hanging.
2. Thread a Setscrew partially into EQ Ball. Slide Canopy (See View "A"), thread cover and then EQ Cover onto stem and thread EQ Ball onto end of stem.
3. Thread a Top Flat Strap onto the short threaded end of Stem Extension and thread a locknut onto other end.
4. Slide the Bottom Flat Strap into the end of fixture socket plate and insert cotter pin thru holes in strap and socket plate. Thread stem extension into Bottom Flat strap.
5. Mount EQ Bracket to Top Flat Strap with (2) No. 8-32 x 3/8" long machine screws. Repeat steps 4 & 5 at opposite end of fixture.
6. Lift fixture up to stems, slide EQ Brackets into EQ Balls and thread EQ Cover onto bracket.
7. Level fixture by threading Extension stems into bottom flat strap. Tighten locknuts and setscrews after fixture is level.

CANOPY INSTALLATION: (Refer to View "A")

1. Canopies are installed after wiring in outlet boxes have been completed.
2. Align plastic tree clips in canopy with the two 1/4" holes in support strap. Push canopy up until clips engage and canopy is flush against ceiling.

