

INSTALLATION INSTRUCTIONS

P/C 510157-3000

Fixture Type

Wall/Slot 85N

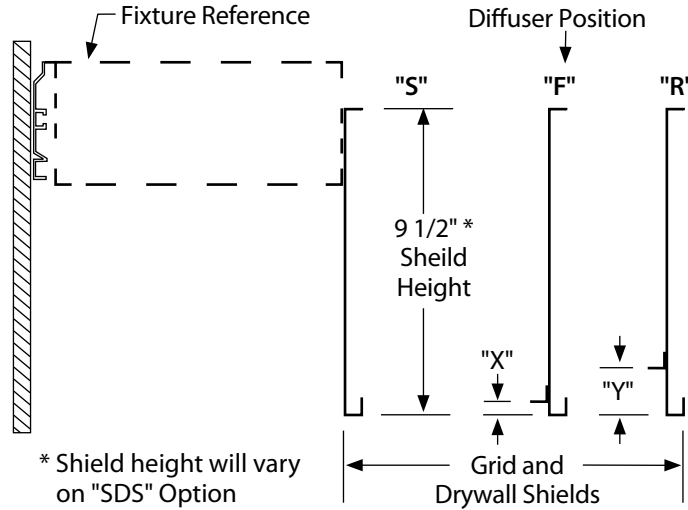
Shields

Do not modify or alter this product in any way, or install in any fashion which is contrary to the instructions contained herein. If you have any questions regarding this product or the installation of it, please call Litecontrol Engineering at 781-294-0100.

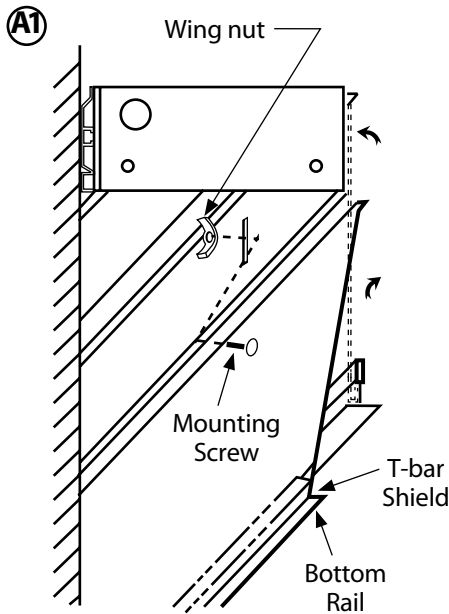
NOTES:

- Shields should not be used to support any part of ceiling or its structure.
- "S" position shields are used when diffusers are not required.
- Shields are installed after fixture and its support rails are hung.

Shield Cross Sections



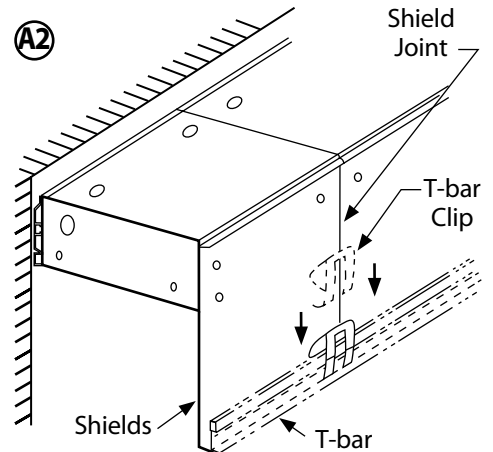
Ceiling Type	Dim "X"	Dim "Y"
Grid	1 1/16"	1 11/16"
Drywall	1/8"	1 1/8"



Instructions:

A. Grid Ceilings

1. Lift and shift shield in behind fixture until mounting screws protrude into housing slots. Seat bottom rail of shield on T-bar and secure with wing nuts.
2. Spline shields together at joints by snapping T-bar clips over T-bar and into bottom rail of shields. Use an additional clip at the center of each 6' and 8' length shield.



INSTALLATION INSTRUCTIONS

P/C 510157-3000

Fixture Type

Wall/Slot 85N

Shields

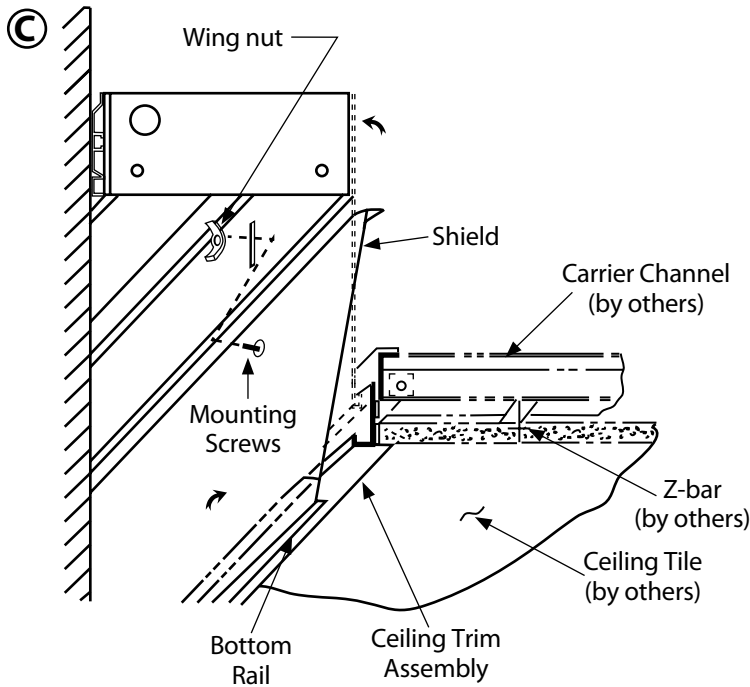
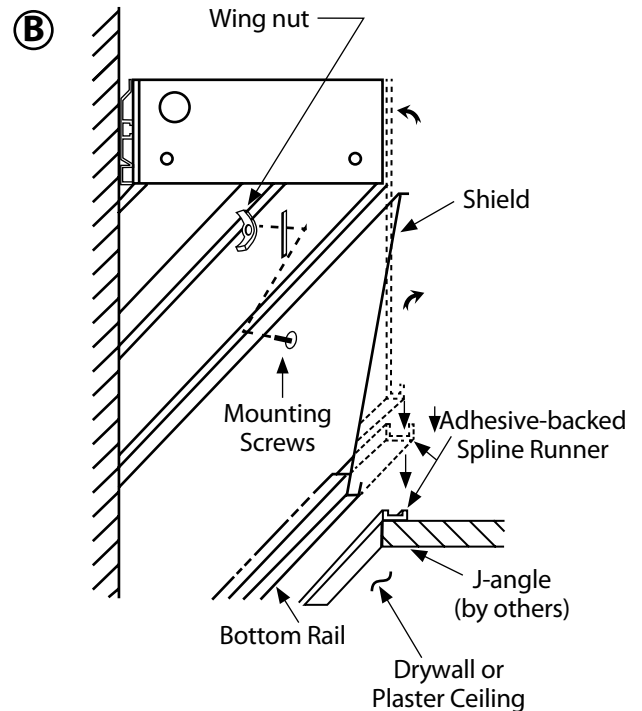
Do not modify or alter this product in any way, or install in any fashion which is contrary to the instructions contained herein. If you have any questions regarding this product or the installation of it, please call Litecontrol Engineering at 781-294-0100.

B. Drywall and Plaster Ceilings

1. Peel off adhesive backing paper on the 48" long spline runners and firmly apply to ceiling J-angle (by others).

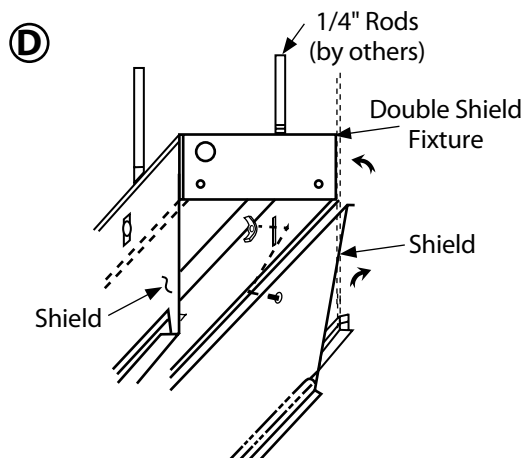
NOTE: Clean J-angle surface prior to attaching runners for a good bond.

2. Mount additional spline runners along full length of ceiling opening in a straight line. Field cut runners to suit opening.
3. Lift and shift shields in behind fixture until mounting screws protrude into housing slots. Seat bottom rail of shield into the spline runners and attach wing nuts.



C. Concealed Z-bar Ceilings

1. Install ceiling trim assembly (shipped separately) to carrier channels per "concealed Z-bar ceiling trim" instruction sheet.
2. Lift and shift shield in behind fixture until mounting screws protrude into housing slots.
3. Seat bottom rail into ceiling trim and secure with wing nuts.



D. Double Shield Option

NOTE: All fixture ballast covers and lamps must be removed prior to installing shields for this option.

1. Install shields along both sides of fixture per ceiling details shown in previous steps.