

INSTALLATION  
INSTRUCTIONS

FIXTURE TYPE \_\_\_\_\_

END CAP  
P-ID-5200

PART  
NO. 510363-0000

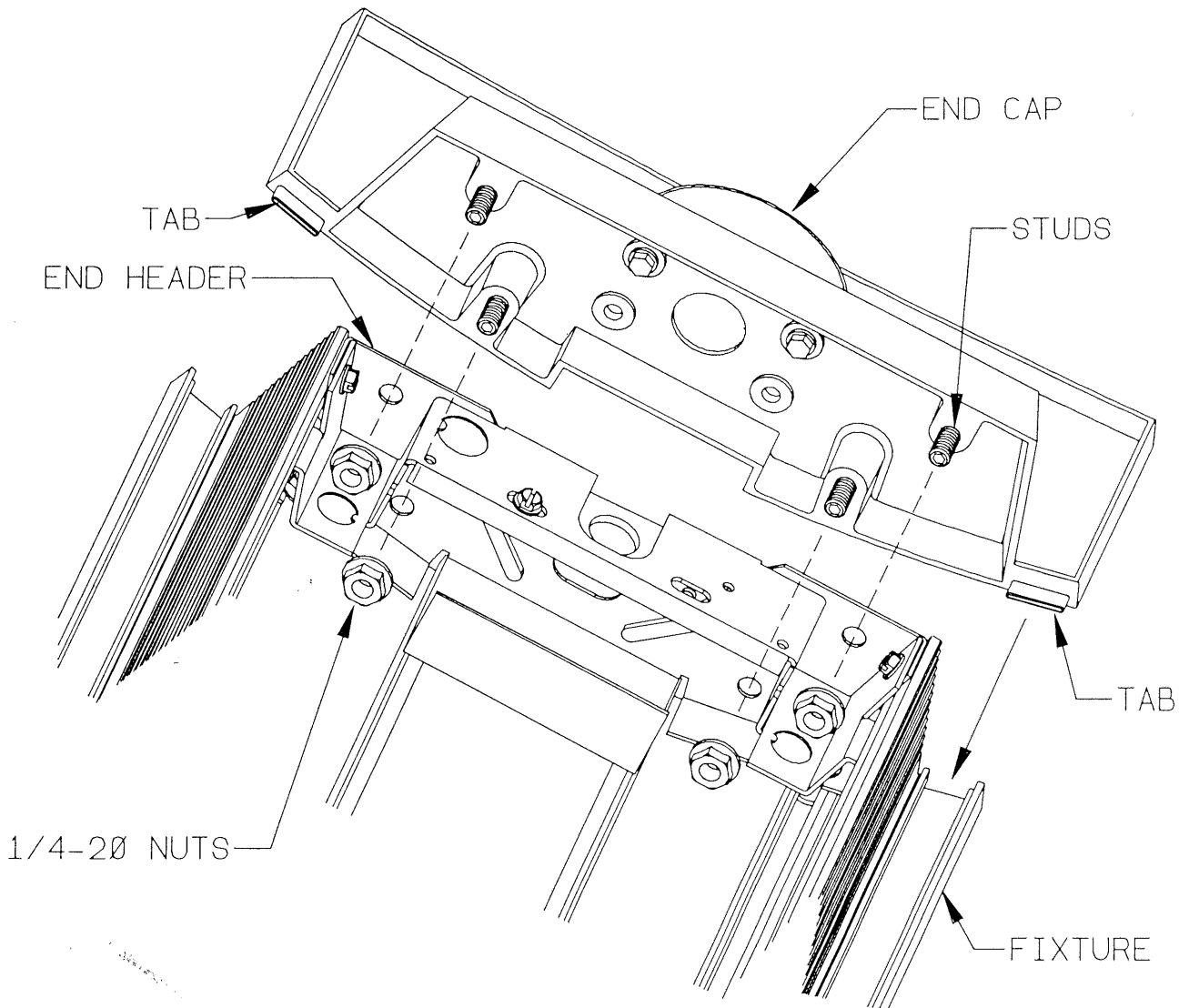
Pg. 1  
OF 1

DO NOT MODIFY OR ALTER THIS PRODUCT IN ANY WAY, OR INSTALL IN ANY FASHION WHICH IS CONTRARY TO THE INSTRUCTIONS CONTAINED HEREIN. IF YOU HAVE ANY QUESTIONS REGARDING THIS PRODUCT OR THE INSTALLATION OF IT, PLEASE CALL LITECONTROL ENGINEERING AT 781-294-0100.

NOTE: THIS INSTRUCTION SHEET IS USED WITH FIXTURE INSTRUCTIONS No. 510360.

INSTRUCTIONS:

1. WITH FIXTURE REFLECTORS REMOVED AND SOCKET PLATE SLID TO ONE SIDE (REFER TO FIXTURE INSTALLATIONS):  
SLIDE END CAP TABS INTO HOUSING ENDS AND STUDS INTO HOLES IN END HEADER.  
SECURE END CAP TO END HEADER WITH (4) 1/4-20 NUTS.
2. END CAPS MUST BE FLUSH AND ALIGN WITH SHAPE OF FIXTURE AFTER ASSEMBLY.



LITECONTROL

100 HAWKS AVENUE - PO BOX 100 - HANSON MA 02341, (781-294-0100)