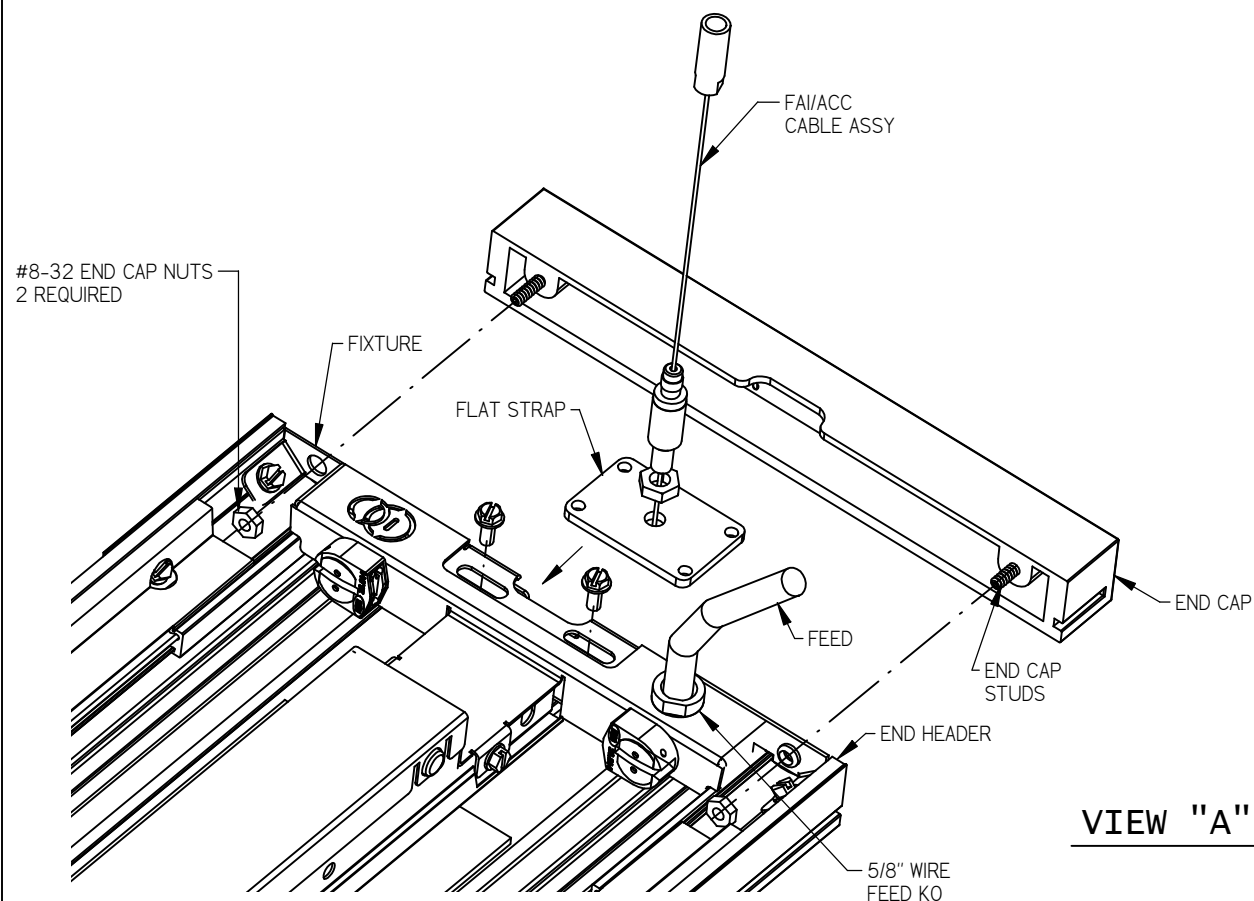
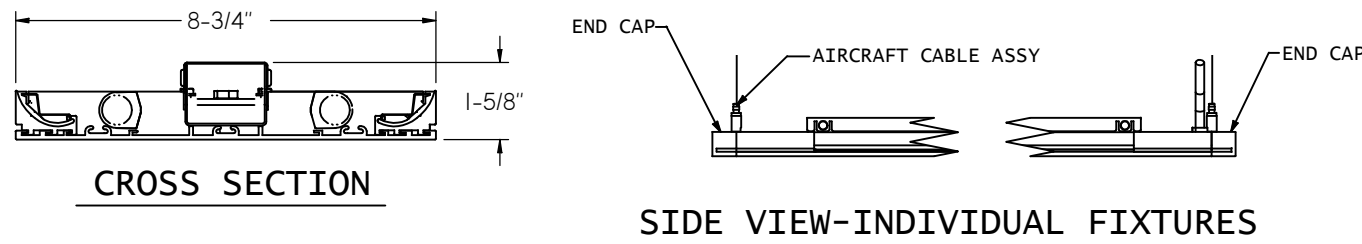


DO NOT MODIFY OR ALTER THIS PRODUCT IN ANY WAY, OR INSTALL IN ANY FASHION WHICH IS CONTRARY TO THE INSTRUCTIONS CONTAINED HEREIN.
IF YOU HAVE ANY QUESTIONS REGARDING THIS PRODUCT OR THE INSTALLATION OF IT, PLEASE CALL LITECONTROL ENGINEERING AT 781-294-0100.

GENERAL NOTES: Read Instructions completely before starting.

- A) Leaving protective foam wrapping on fixtures until mounting has been completed will protect finish from damage.
- B) Fixtures are supplied with factory installed Branch Circuit wiring. Refer to supplemental instruction sheet for making connections.



INSTRUCTIONS:

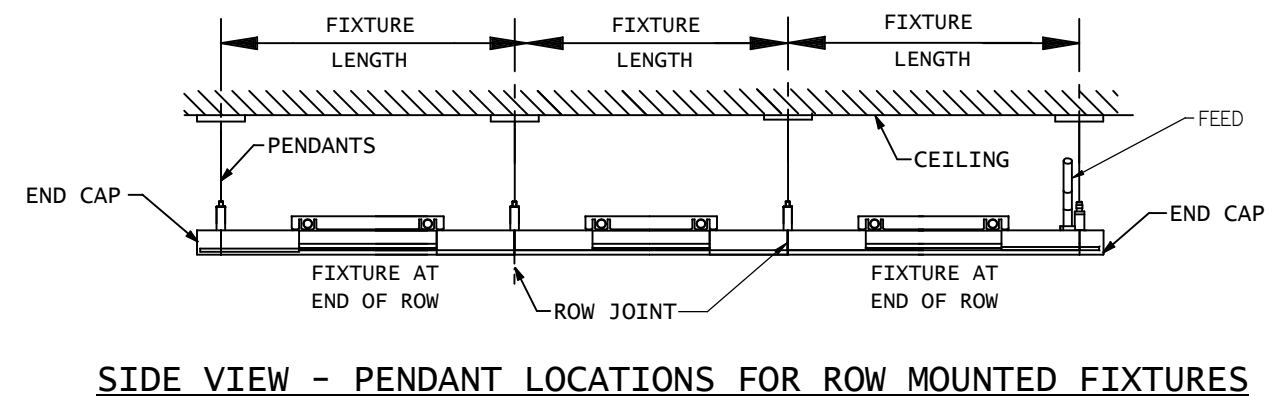
1. MOUNTING INDIVIDUAL FIXTURES: (Aircraft Cable Assy's are shipped separately)

- A) Locate aircraft cables along a straight line in ceiling per dimensions shown in Side View; (Refer to Pendant Instruction Sheet).
- B) Peel back foam wrapping from both ends of fixture. Remove a 5/8" KO in Socket plate for wire feed.
- C) Thread a 1/4-20 locknut and a Flat Strap onto Cable Gripper and slide Strap underneath Support Bracket. Fasten strap to bracket with (2) #8-32 x 3/8" long machine screws. Repeat this step at opposite end of fixture.
- D) Lift fixture up and mount both ends of this fixture aircraft cable assemblies to ceiling. Bring wire feed into fixture route feed cord through cut-out in support plate as shown and make connections to branch circuit wiring.
- E) Attach an End Cap (shipped separately) to both ends of fixture by inserting End Cap studs thru holes in End Headers. Secure with (2) 8-32 hex nuts making sure end caps are flush with bottom and sides of fixture.
- F) Level fixture up or down by loosening safety cap on cable grippers and pulling aircraft cables through gripper. Hand tighten cap once level.
Level fixture horizontally by sliding Flat Straps from side to side in end header slots. Tighten all locknuts and machine screws after fixtures are level.

Go TO STEP 5 ON PAGE 2.

2. MOUNTING ROWS OF FIXTURES:

- A) Locate aircraft cables along a straight line in ceiling as shown in Side View below. Refer to pendant instruction sheet. Peel back foam wrapping from both ends of all fixtures in row.
- B) Starting with a Fixture at one end of row, attach a Flat Strap, Locknut and Aircraft Cable Assembly underneath Support Bracket per step 1C.



DO NOT MODIFY OR ALTER THIS PRODUCT IN ANY WAY, OR INSTALL IN ANY FASHION WHICH IS CONTRARY TO THE INSTRUCTIONS CONTAINED HEREIN.
IF YOU HAVE ANY QUESTIONS REGARDING THIS PRODUCT OR THE INSTALLATION OF IT, PLEASE CALL LITECONTROL ENGINEERING AT 781-294-0100.

Instructions con't:

2C) Remove a 5/8" KO in Socket Plate for wire feed.

D) At opposite end of this Fixture loosely mount a flat strap underneath the support strap with (1) #8-32 x 3/8" long machine screws. See detail "B" Position flat strap so that it projects out from end of fixture.

E) Lift the Fixture up and mount Aircraft Cable Assembly to ceiling.

F) Attach a flat strap and locknut to one end of the next fixture in row per previous steps.

G) Lift open end of this fixture onto the flat strap of the 1st and attach cable end to ceiling.

H) Level fixture up or down by threading cable studs into nuts .
Level fixture horizontally by sliding cable assy from side to side end header slot.
Tighten all locknuts after fixtures are level. Tighten all 1/4-20 mounting hardware.

J) Repeat previous steps for each additional fixture in row.
Level row and align seams at each joint before tightening all screws.

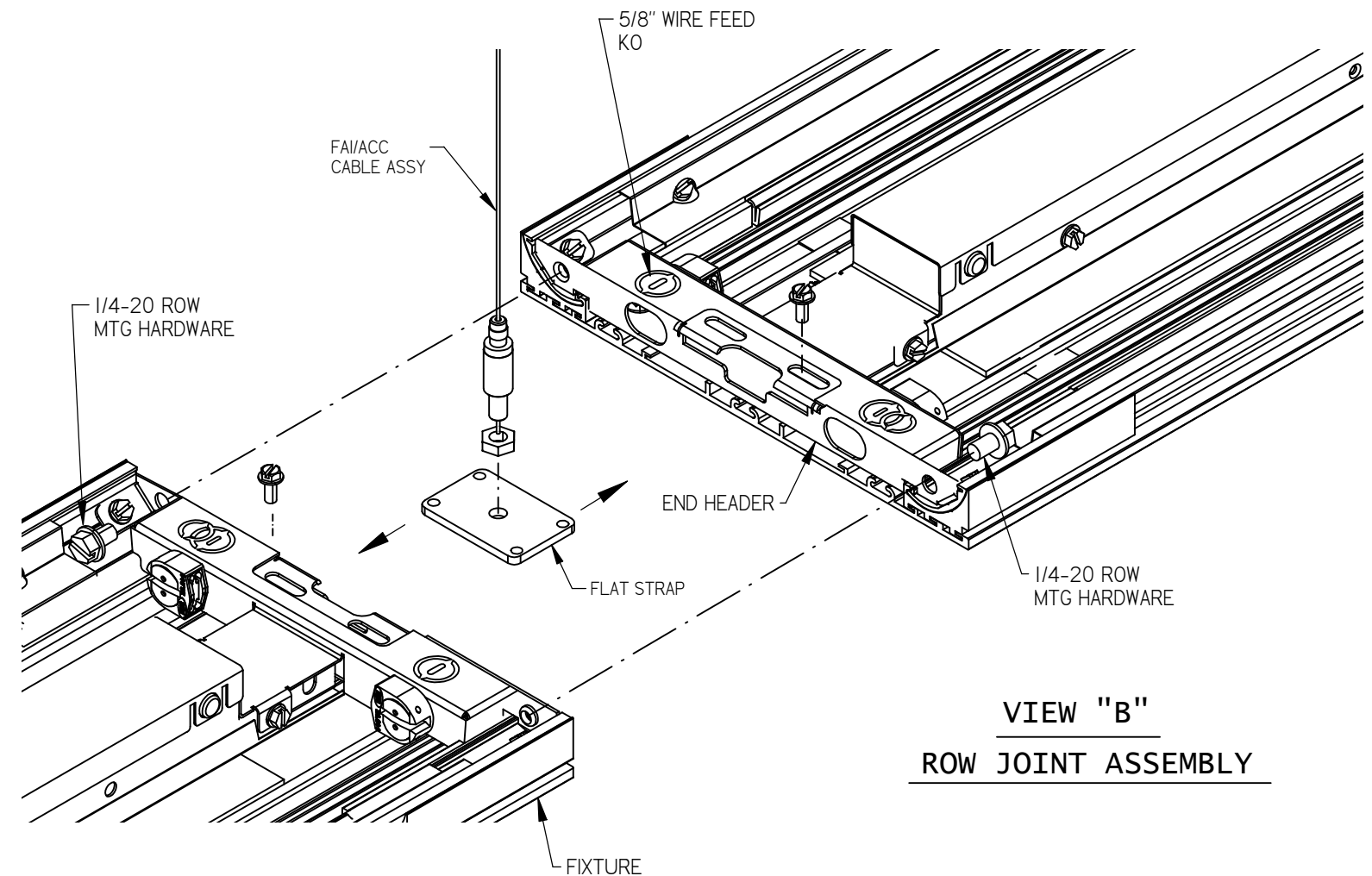
3. At each row joint, make wiring connections between fixtures and push wiring back into fixture wireway.

4. Mount an End Cap at each end of row per step 1E.

5. Remove all foam wrapping material from fixtures.

6. Raise and secure all aircraft cable canopies.

7. Install lamps (by others) and clean exterior surfaces of fixture(s) with a general window cleaner.



VIEW "B"
ROW JOINT ASSEMBLY