

**INSTALLATION
INSTRUCTIONS**

SE TYPE _____

**STRAIGHT EXTENSIONS
66N00 & 86N00**

PART
NO. 510119-3000

PG. 1
OF 2

DO NOT MODIFY OR ALTER THIS PRODUCT IN ANY WAY, OR INSTALL IN ANY FASHION WHICH IS CONTRARY TO THE INSTRUCTIONS CONTAINED HEREIN.
IF YOU HAVE ANY QUESTIONS REGARDING THIS PRODUCT OR THE INSTALLATION OF IT, PLEASE CALL LITECONTROL ENGINEERING AT 781-294-0100

GENERAL NOTES: (READ SHEETS COMPLETELY BEFORE STARTING)

A) Straight Extensions can be assembled between (2) fixtures or at end of a row.
An End Cap (refer to fixture instructions) must be used to close off extension at end of row.

B) Installation of a SE is similar to adding another fixture in a row.

INSTRUCTIONS for P-I, W-I & W-AI-66N/86N SE's: (Refer to View "A")

1. Lift out Wireway Cover from SE by removing sheet metal screws;
2. Attach Extension to abutting fixture with (4) 1/4-20 machine screws and Hex Nuts thru end headers. Make sure all sides of are flush at joint before tightening screws.
3. **FOR PENDANT MOUNTED SE's (P-I-66N/86N):** (pendants are shipped separately)

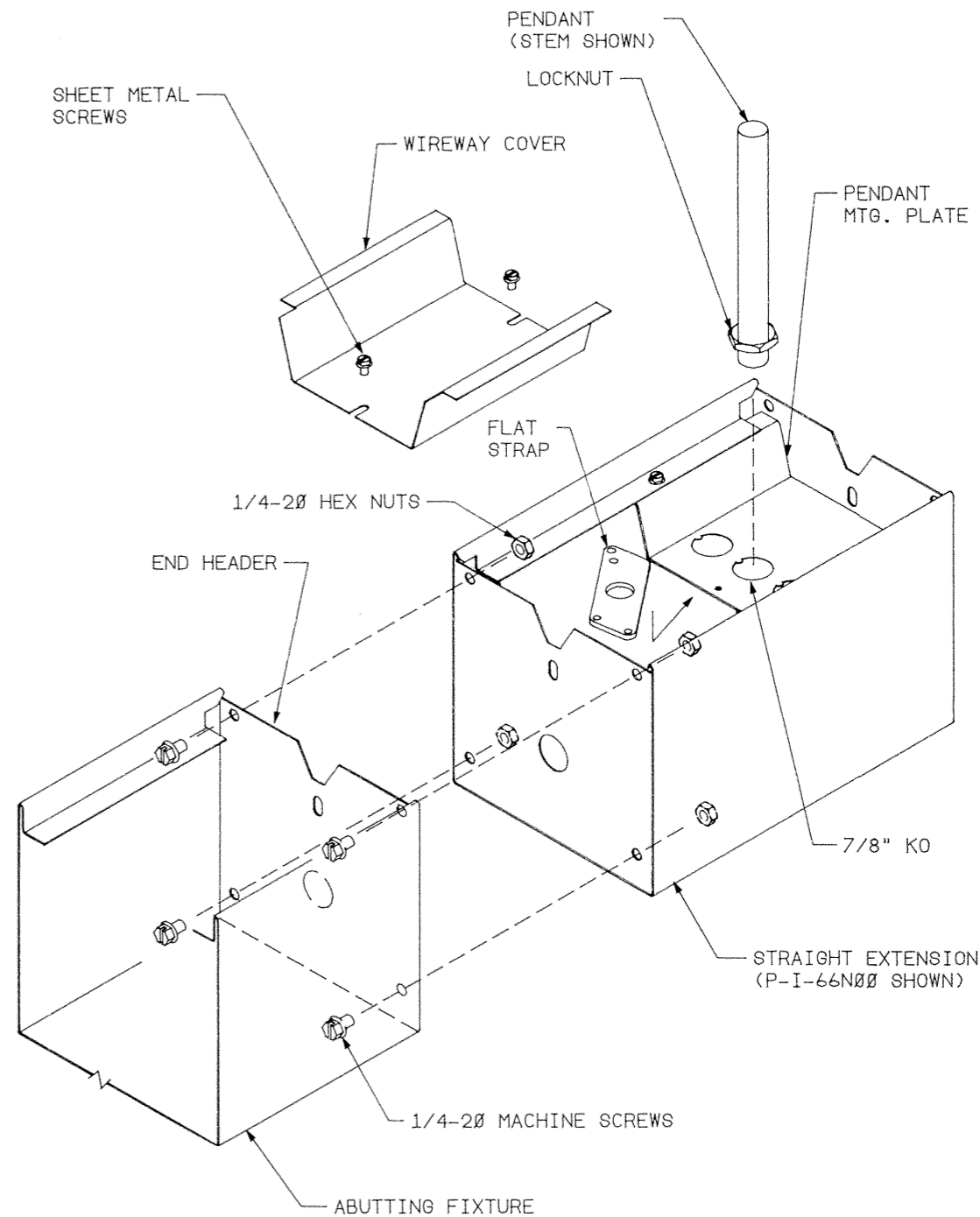
A) If a pendant is to be mounted to a Straight Extension, remove the 7/8" Knockout in center of Pendant Mounting Plate.
Thread a locknut onto stem or cable stud; position a Flat Strap underneath the knockout and thread stem into flat strap.
Refer to View "A" on Cable instruction sheet No. 510227 when aircraft cables are used.

B) Mount another pendant to the opposite end of the abutting fixture per its installation instructions.

C) Lift fixture/SE assembly up and mount pendants to ceiling.
Wire feed may be brought thru 7/8" holes in end headers into fixture wireway.
D) Level assembly up or down by threading stems or cable studs into Flat Straps.
Tighten all locknuts after leveling.

4. FOR WALL MOUNTED SE's (W-I & W-AI-66N00).

- Extensions have been factory made to fit opening between fixtures and wall. Additional Wall Brackets may be required pending length of Extension.
Insert SE into opening and loosely bolt thru both end headers with (4) 1/4-20 machine screws and nuts. Align all seams before tightening screws.
5. Wire feed may be brought thru 7/8" holes in end headers.
 6. Replace Wireway covers and clean exterior surfaces with a general window cleaner.



VIEW "A"

**INSTALLATION
INSTRUCTIONS**

SE TYPE _____

**STRAIGHT EXTENSIONS
66N00 & 86N00**

PART NO. 51019-3000

PG. 2
OF 2

INSTRUCTIONS for P-D, P-ID & P-S/D-66N/86N SE's: (Refer to View "B")

7. Take out Wireway Cover from bottom of SE by removing sheet metal screws;
8. Attach SE to abutting fixture with (4) 1/4-20 machine screws and Hex Nuts thru end headers.
Press a Spline into each bottom rail and align seams at joint before tightening screws.
- 9.A) If a pendant is to be mounted to the SE, remove the 7/8" KO in top of extension housing
Thread a locknut onto stem or cable stud; position a Flat Strap underneath the KO and thread stem into flat strap.
Refer to View "A" on Instruction sheet No. 510227 when cables are used.
- B) Mount another pendant to the opposite end of the abutting fixture per its installation instructions.
- C) Lift fixture/SE assembly up and mount pendants to ceiling.
Wire feed may be brought thru 7/8" holes in end headers into fixture wireway.
- D) Level assembly up or down by threading stems or cable studs into Flat Straps.
Tighten all locknuts after leveling.

10. FOR WALL MOUNTED SE's (W-D, W-ID & W-AID-66N00):

Extensions have been factory made to fit opening between fixture and wall. Additional Wall Brackets may be required pending length of SE. Insert SE into opening and loosely bolt thru both end headers with (4) 1/4-20 machine screws and hex nuts. Press a Spline into each bottom rail at row joint and align all seams before tightening screws.

11. FOR RECESSED CEILING MOUNTED SE's (R-D-66N/86N):

Remove the 7/8" KO in top of extension housing and install Mounting Yoke per fixture instruction sheet. Install SE per step 8 above.

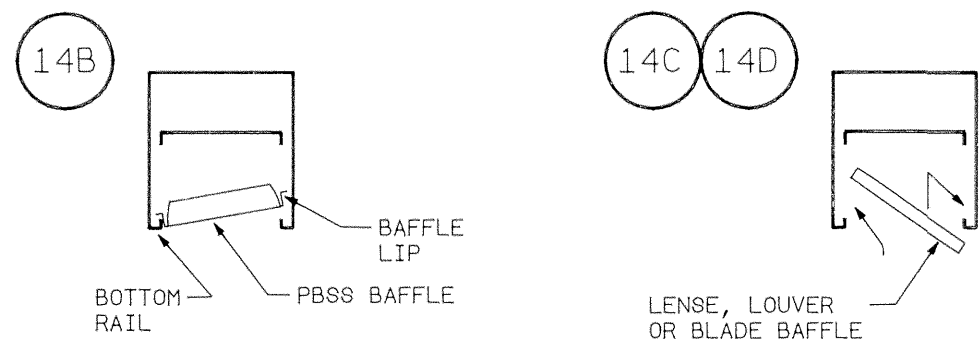
12. FOR SURFACE MOUNTED SE's (S-D-66N/86N):

Remove the (2) 5/16" KO's in top of extension housing and mount SE to abutting fixture per step 8 above. Attach top of SE to overhead surface with (2) anchoring screws (by contractor) thru 5/16" KO's.

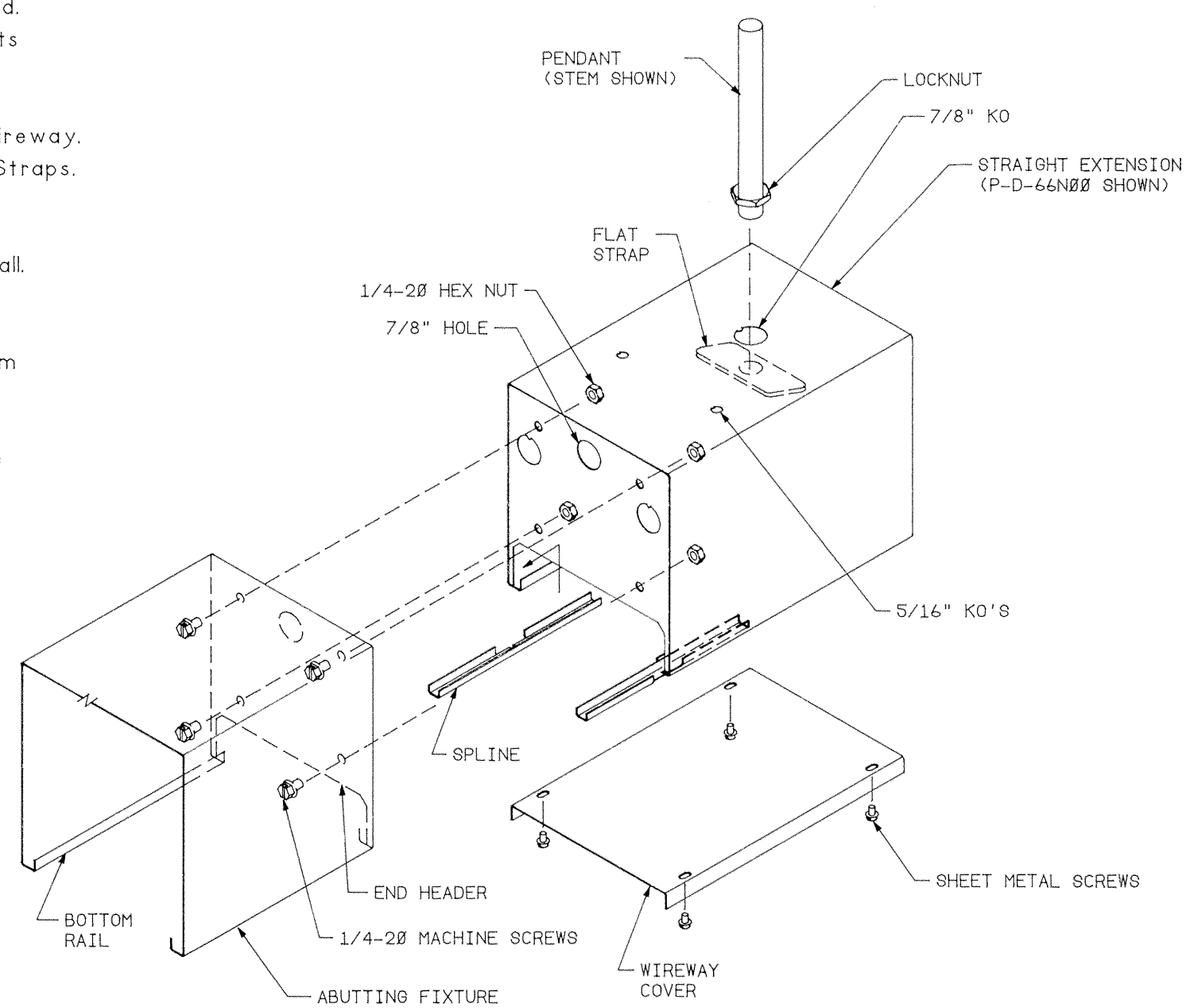
13. Replace Wireway cover and clean exterior surfaces with a general window cleaner.

14. DIFFUSER INSTALLATION:

- A) Center Dividers (found in polybag) are used at each row joint ONLY when Plastic lenses or Louvers are used.
Refer to fixture instruction sheets.
- B) PARABOLIC BAFFLES (PBSS or PBSG) are shifted into opening and lower into place by pulling down on baffle until lip sits on bottom rails.
- C) BLADE BAFFLES (BW, BB, BA, BZ) are shifted into opening and rest on top of bottom rails.
- D) LENSES and LOUVERS are shifted into opening and rest on top edge of bottom rails. Lenses are installed with smooth side up.



DIFFUSER INSTALLATION



VIEW "B"