

INSTALLATION INSTRUCTIONS

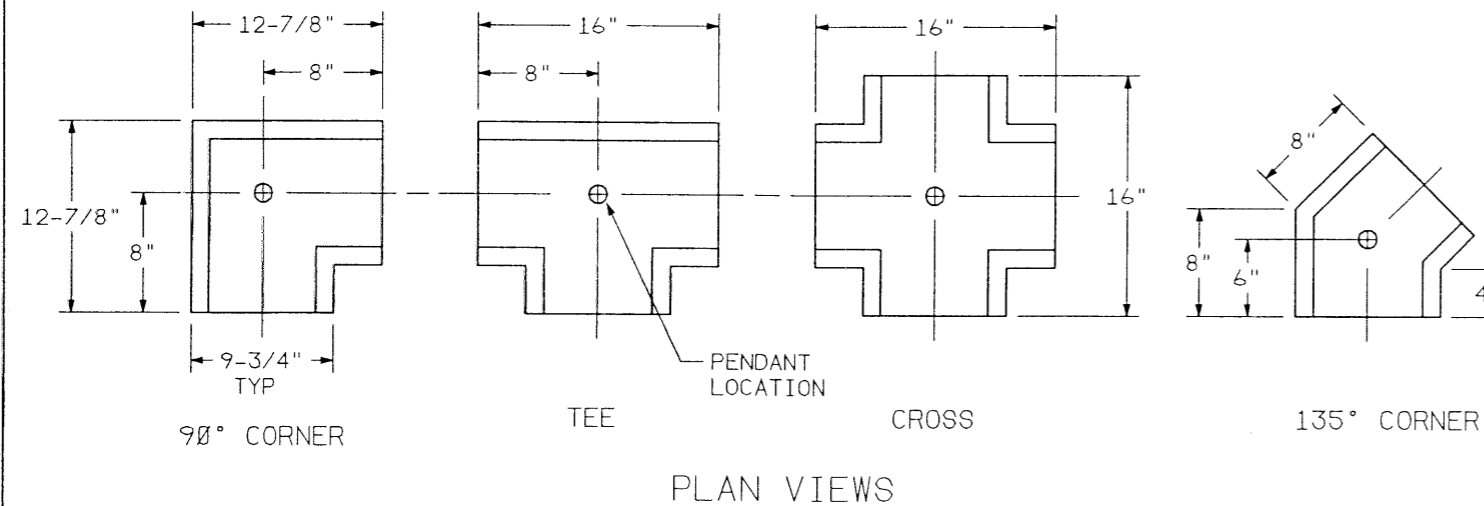
TYPE _____

P-I & P-S/I-9800 SYSTEM CONNECTORS

PART NO. 510355-1000

PG. 1 OF 1

DO NOT MODIFY OR ALTER THIS PRODUCT IN ANY WAY, OR INSTALL IN ANY FASHION WHICH IS CONTRARY TO THE INSTRUCTIONS CONTAINED HEREIN. IF YOU HAVE ANY QUESTIONS REGARDING THIS PRODUCT OR THE INSTALLATION OF IT, PLEASE CALL LITECONTROL ENGINEERING AT 781-294-0100.

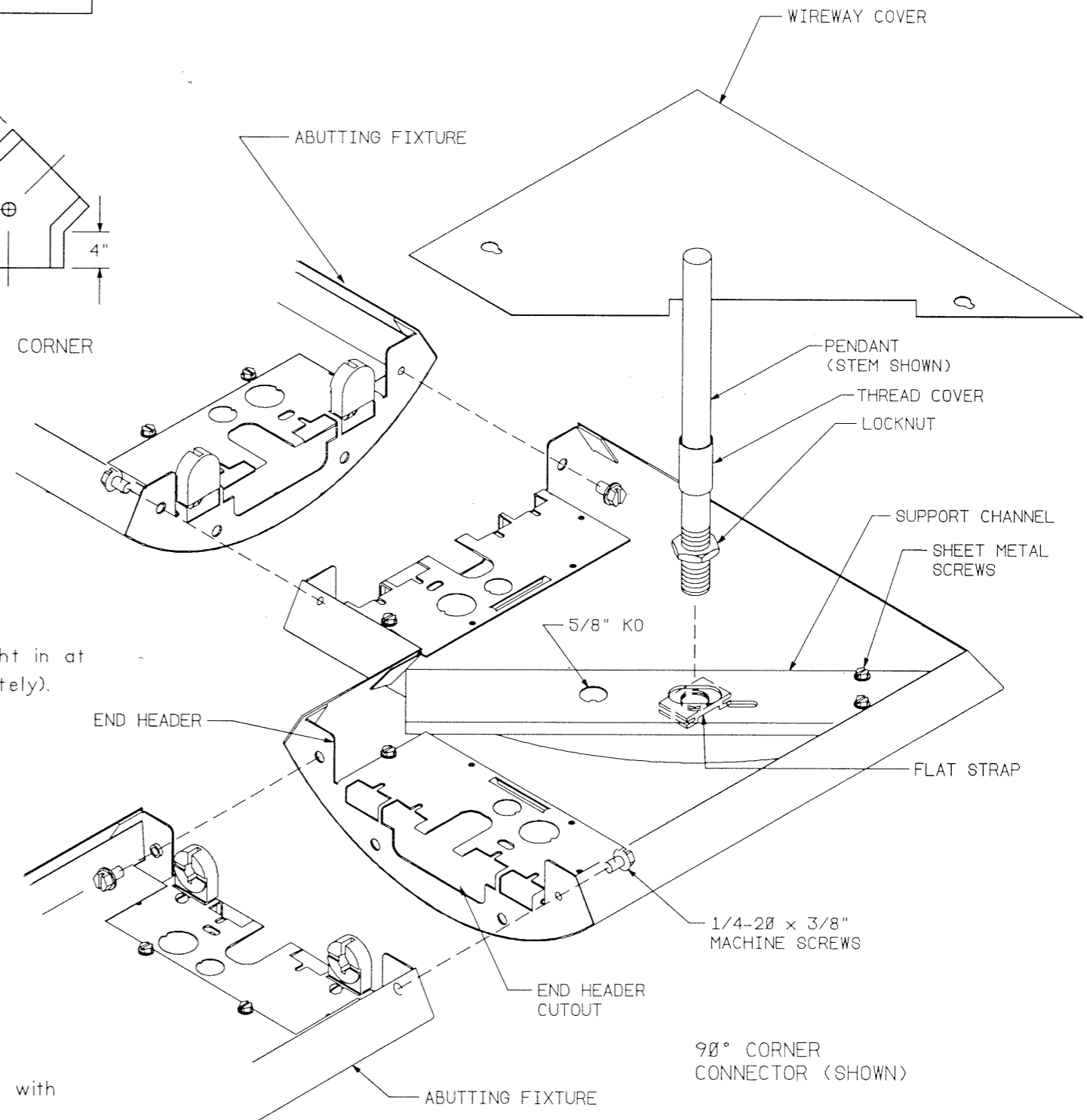


GENERAL NOTES:

- 1) This instruction sheet is used with fixture instruction sheet 510354.
- 2) Although the 90° corner is shown on this sheet, installation of all the system connectors is similar.
- 3) Litecontrol recommends that a system connector be assembled to an abutting fixture before attaching to pendants.

Instructions:

1. Shift out wireway covers by loosening sheet metal screws.
2. If aircraft cable is used to hang connector and the electrical feed is being brought in at connector, remove a 5/8" KO in Support Channel for feed cord (shipped separately). Feed may be run inside stems when they are used.
3. Locate pendants in ceiling using the plan views on this sheet and the fixture instruction sheet 510354.
4. Loosely mount connector to one abutting fixture with (2) 1/4-20 x 3/8" long machine screws thru the holes in end headers as shown in view. Tighten screws making sure that joint seam is flush all around. Bring fixture circuit wiring into connector thru cutout in end header.
5. Slide thread cover (stem only) and thread a locknut onto pendant. Position Flat Strap under Support Bracket and thread pendant into it.
6. Mount another Flat Strap to the opposite end of the abutting fixture per fixture instructions. Lift this assembly up and mount pendants to ceiling. Level fixture up or down by loosening pendant locknuts. Level connector horizontally by sliding strap from side to side.
7. Mount another fixture to each leg(s) of connector per steps 6 above and secure with 1/4-20 machine screws.
8. Make wiring connections and replace wireway covers.
9. Clean exterior surfaces with a window cleaner.



LITECONTROL

100 HAWKS AVENUE - PO BOX 100 - HANSON MA 02341, (781-294-0100)