

INSTALLATION INSTRUCTIONS

PART NO. 510234-4000

SC/P6 STEM ASSEMBLY

PG. 1 OF 1

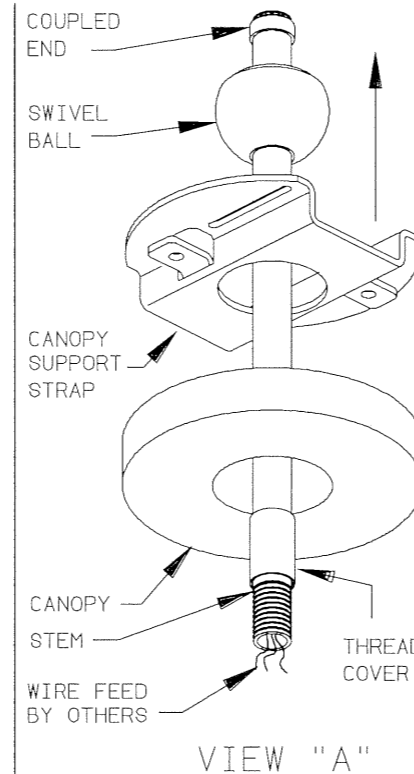
DO NOT MODIFY OR ALTER THIS PRODUCT IN ANY WAY, OR INSTALL IN ANY FASHION WHICH IS CONTRARY TO THE INSTRUCTIONS CONTAINED HEREIN.
IF YOU HAVE ANY QUESTIONS REGARDING THIS PRODUCT OR THE INSTALLATION OF IT, PLEASE CALL LITECONTROL ENGINEERING AT 617-294-0100.

GENERAL NOTES:

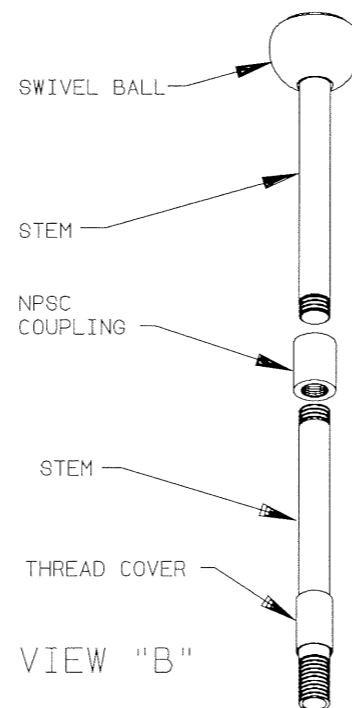
- The SC/P6 stem assembly is made to install over the following outlet boxes: (3-1/2" Octagon, 2-1/8" x 4" Handy box, 3" x 2" Switchbox and plaster ring with 2-3/4" mtg. holes) OR a 2" dia. x 1/2" deep clearance hole in ceiling. Outlet boxes must be mounted flush to ceiling.
WARNING: The National Electric Code requires that any fixture weighing more than (50) pounds be independently supported of an outlet box.
- Fixtures in rows must be supported by a minimum of one stem (or cable) at the junction of each two fixtures plus one at each end of the row. This is considered by "Underwriters Laboratories" as equivalent to two stems (or cables) per fixture.
- These fixture supports are to be used only in conjunction with LITECONTROL products for which they were furnished. DO NOT use them for support of any other items or in any fashion which is contrary to this instruction sheet.

INSTALLATION OF SC/P6 ASSEMBLIES TO CEILING: (Refer to view "A")

- Retrieve swivel ball from polybag kit and slide it onto stem until ball seats over coupled end of stem.
- Insert stem thru hole in canopy support strap. Lift stem and support strap to ceiling and securely install to outlet box or ceiling. Refer to fixture instructions for stem locations.
- For coupled stem assemblies, slide swivel ball on, per step above and thread the two stems together with the NPSC coupling making sure that the 1 1/2" threaded portion of stem is at the bottom. See view "B"



VIEW "A"



VIEW "B"

INSTALLATION OF FIXTURES TO STEMS:

MOST FIXTURES MOUNTED THRU A 7/8" DIA. KO: See view "C"

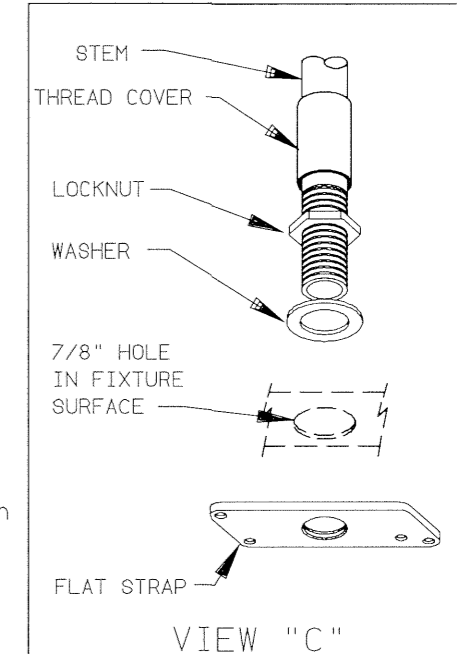
- Refer to instructions packaged with fixture to prepare it for hanging.
- Slide canopy, thread cover, locknut and washer onto stem. Attach stem to fixture thru 7/8" knockout in housing. Attach Flat strap from inside of fixture, to stem.
- By threading stem up or down into flat strap, there is approximately 1" of vertical adjustment available for leveling. Tighten locknuts after leveling. Slide thread covers down against locknut.
- Fixtures may be wire fed thru a stem.

MOUNTING FIXTURES THRU SUPPORT ANGLE OR PENDANT SUPPORT BRACKET: See view "D"

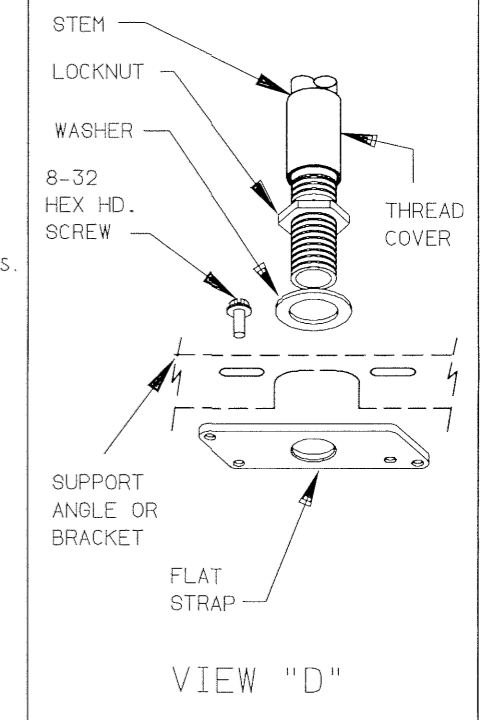
- Refer to instructions packaged with fixture to prepare it for hanging.
- Slide canopy onto stem; thread locknut and washer onto stem.
- 3a. INDIVIDUAL FIXTURES: Attach a flat strap underneath support angle at each end of fixture using one #8-32 x 3/8" long hex head screw.
- 3b. ROW FIXTURES: A flat strap is attached to the fixture at the end of the row where end cap is located per step 3a.
- 3c. At opposite end of this fixture, another flat strap is attached with one #8-32 hex head screw and positioned so that half of it extends out end of fixture. Abutting fixture is lifted onto this strap and secured with another #8-32 screw. This step is repeated at each joint between fixtures.
- Thread stems into flat straps.
- Approximately 1" of vertical adjustment is available for leveling fixtures, by threading stem up or down in flat strap. Tighten locknuts after leveling fixtures. Slide thread covers down against locknuts.
- Fixtures may be wire fed thru a stem.

CANOPY INSTALLATION:

- Canopies are installed after wiring in outlet boxes have been completed.
- Align plastic tree clips in canopy with the two holes in canopy support strap. Push canopy up until clips engage and canopy is flush against ceiling.



VIEW "C"



VIEW "D"

LITECONTROL

100 HAWKS AVENUE - PO BOX 100 - HANSON MA 02341, (617-294-0100)