

**INSTALLATION INSTRUCTIONS**

FIXTURE TYPE \_\_\_\_\_

**AMA OPTION  
CC-AI-2500/3000**

PART NO. **510398-0000**

PG. 1  
OF 1

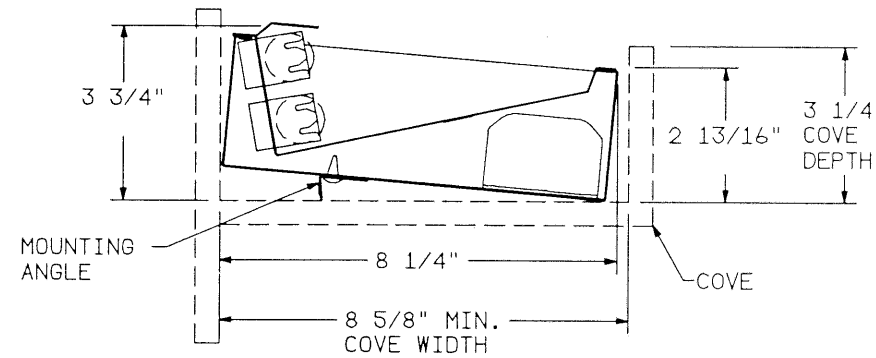
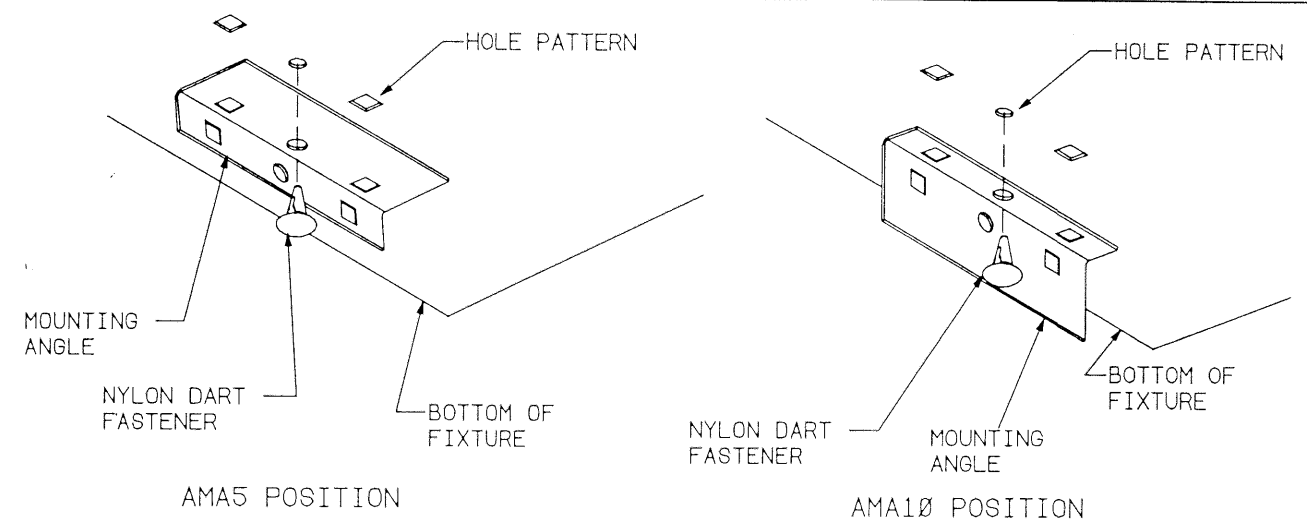
DO NOT MODIFY OR ALTER THIS PRODUCT IN ANY WAY, OR INSTALL IN ANY FASHION WHICH IS CONTRARY TO THE INSTRUCTIONS CONTAINED HEREIN. IF YOU HAVE ANY QUESTIONS REGARDING THIS PRODUCT OR THE INSTALLATION OF IT, PLEASE CALL LITECONTROL ENGINEERING AT 781-294-0100.

**GENERAL NOTES:**

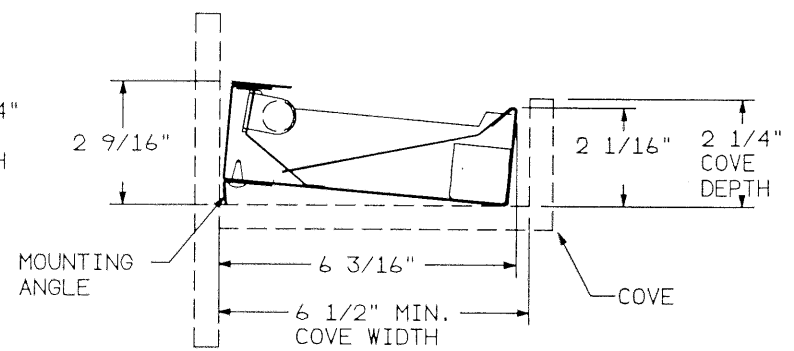
- A) This instruction sheet is used with installation instructions for the CC-AI-2500 (#510379) and CC-AI-3000 (#510392) fixtures.
- B) Cove widths for the AMA option are shown in cross sections below.
- C) AMA mounting angles are attached to bottom of fixture before lifting into cove.

**INSTRUCTIONS:**

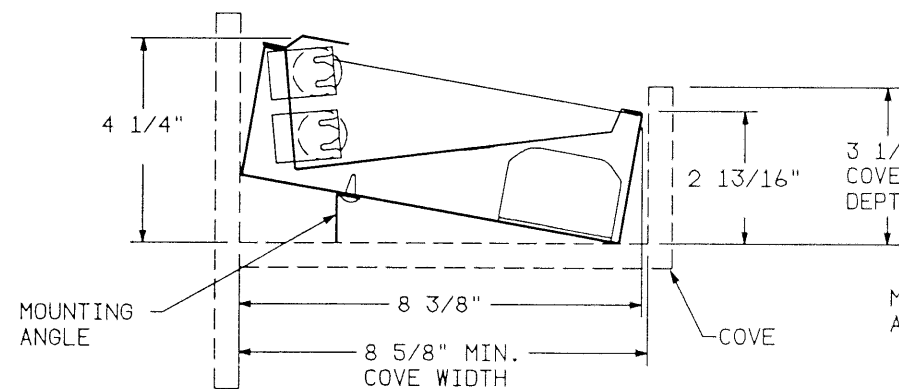
1. Carefully tip fixture on its side and locate hole pattern in bottom of housing at both ends of fixture. See Views.
2. Position mounting angles for AMA5 or AMA10 option and attach angles to bottom of housing with nylon dart fastener. Two mounting angles are required for each fixture. Note raised squares in mounting angles will seat into square holes in housing.



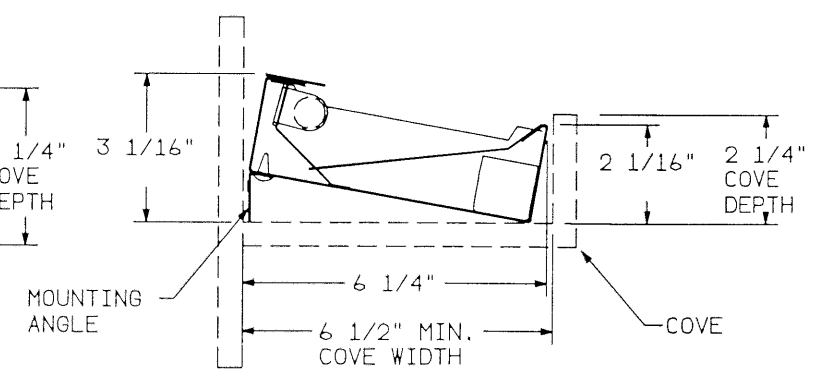
CROSS SECTION  
CC-AI-3000 WITH AMA5 OPTION



CROSS SECTION  
CC-AI-2500 WITH AMA5 OPTION



CROSS SECTION  
CC-AI-3000 WITH AMA10 OPTION



CROSS SECTION  
CC-AI-2500 WITH AMA10 OPTION

**LITECONTROL**

100 HAWKS AVENUE - PO BOX 100 - HANSON MA 02341, (781-294-0100)