

**INSTALLATION
INSTRUCTIONS**

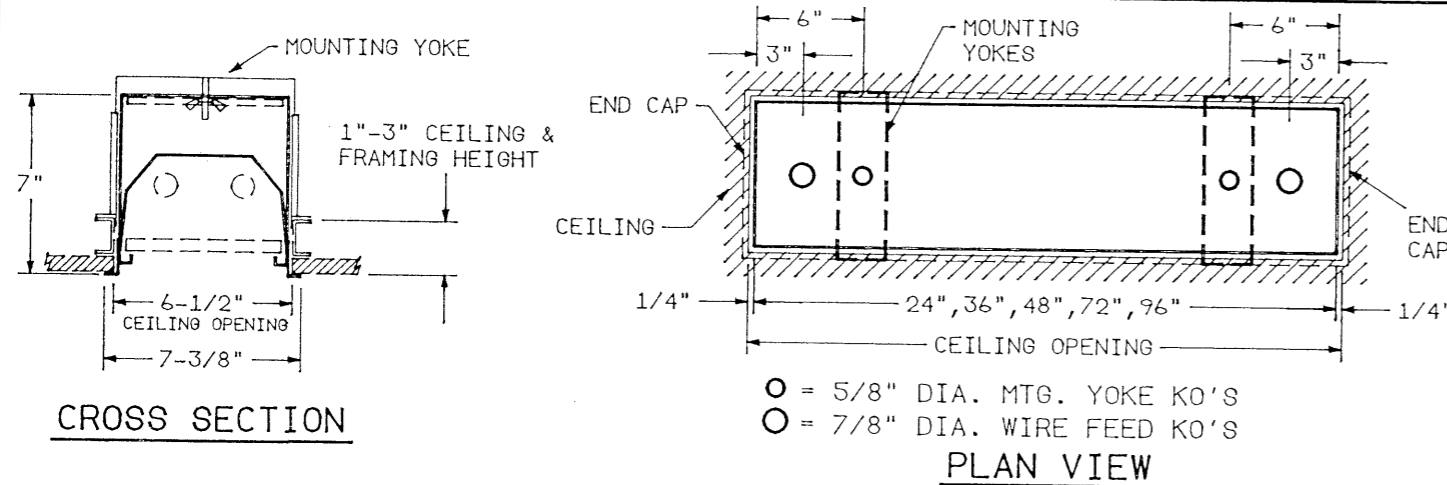
FIXTURE TYPE _____

MOD-66
R-D-66N00

PART
NO. 510076-2000

Pg. 1
OF 2

DO NOT MODIFY OR ALTER THIS PRODUCT IN ANY WAY, OR INSTALL IN ANY FASHION WHICH IS CONTRARY TO THE INSTRUCTIONS CONTAINED HEREIN.
IF YOU HAVE ANY QUESTIONS REGARDING THIS PRODUCT OR THE INSTALLATION OF IT, PLEASE CALL LITECONTROL ENGINEERING AT 781-294-0100



GENERAL NOTE: (READ SHEETS COMPLETELY BEFORE STARTING)

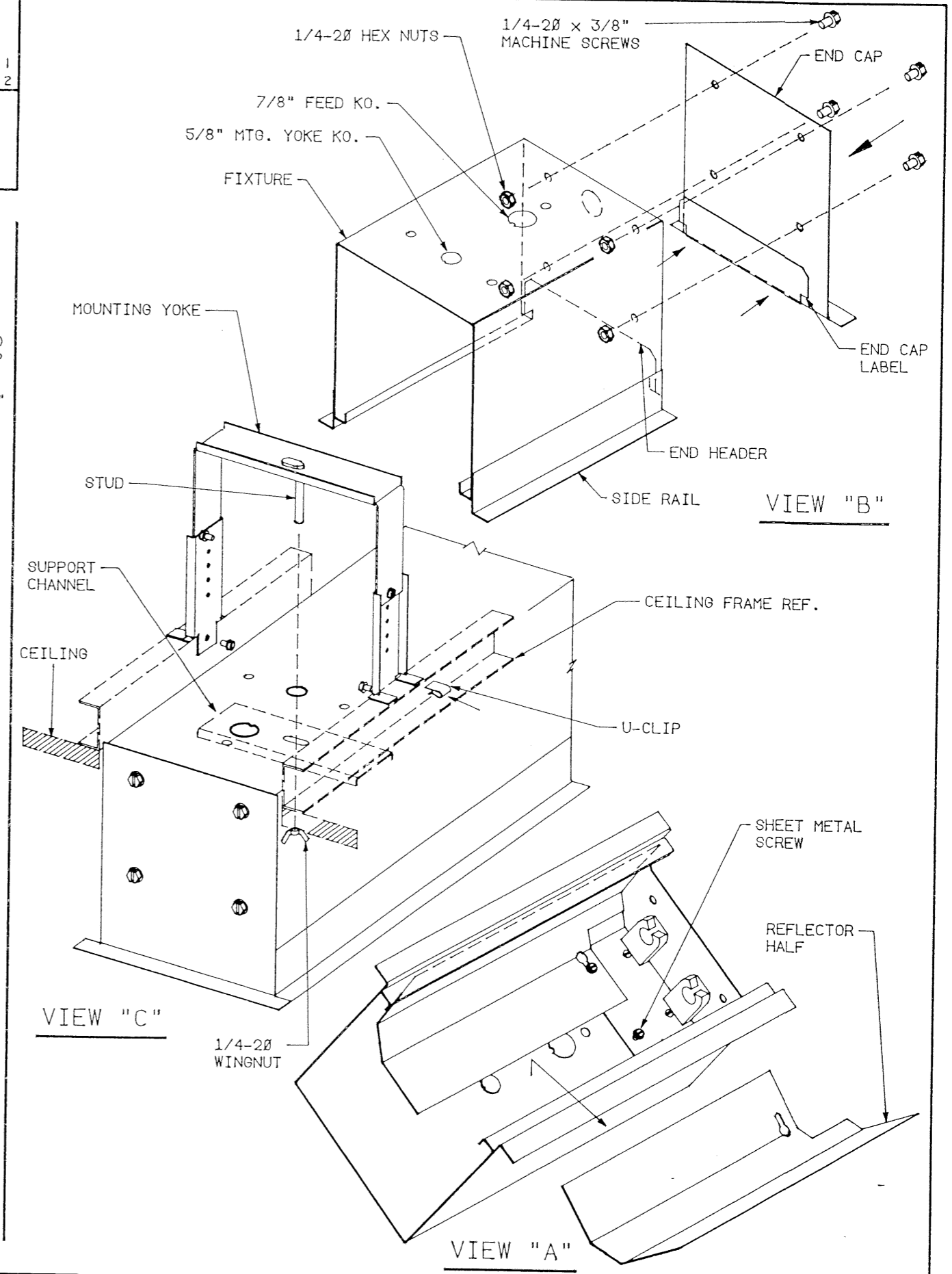
Leave protective wrapping material on fixture until fixtures are mounted:
This will protect finish from damage.

INSTRUCTIONS:

1. Remove Reflector Halves from fixture by loosening (4) sheet metal screws and shifting them out thru keyholes; See View "A".
2. MOUNTING INDIVIDUAL FIXTURES:
 - A) Remove both 5/8" Mounting Yoke KO's and (1) 7/8" KO at wire feed location in top of fixture as shown in Plan View above.
 - B) Attach an End Cap (shipped separately) to both ends of fixture with (4) 1/4-20 screws and nuts; make sure bottom edge of end cap is flush with bottom edges of fixture side rails before tightening screws; See View "B".
Note: Fixtures supplied with Parabolic Baffle diffusers (PBSS) are provided with adhesive backed End Cap Labels which are attached to end caps after caps are installed. Peel off label backing paper and using the cutout in the end header as a guide, press label onto end cap.
 - C) Locate Mounting Yokes (shipped separately) in ceiling opening as shown in Plan View above. Adjust and install yokes (2 per fixture) as shown on Instruction sheet No. 510088 shipped with mounting yokes.
 - D) Lift fixture up thru ceiling opening enough to attach Support Channels and Wingnuts from inside fixture onto mounting yoke studs; See View "C".
Bring wire feed thru 7/8" KO into wireway and make connections.
 - E) Lift fixture up flush to ceiling and tighten wingnuts.

GO TO STEP 5 ON PAGE 2.

LITECONTROL 120 HAWKS AVENUE - PO BOX 100 - HANSON MA 02341, 781-294-0100



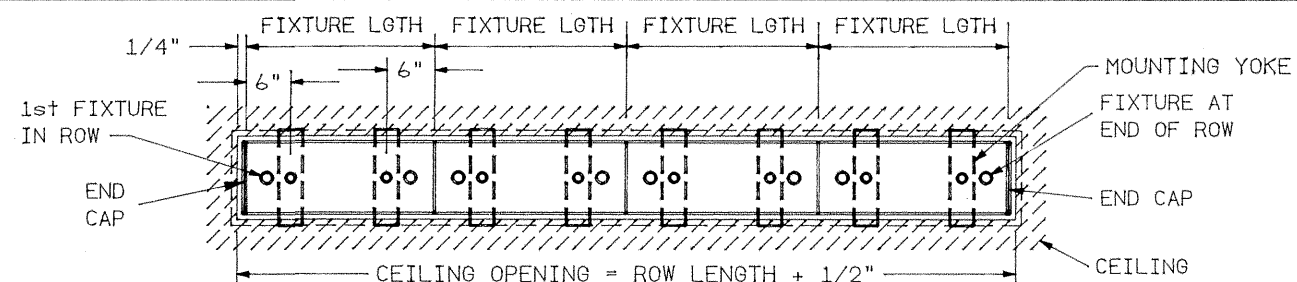
INSTALLATION INSTRUCTIONS

PART NO. 510076-2000

FIXTURE TYPE _____

MOD-66
R-D-66N00

Pg. 2
OF 2



PLAN VIEW FOR ROW MOUNTED FIXTURES

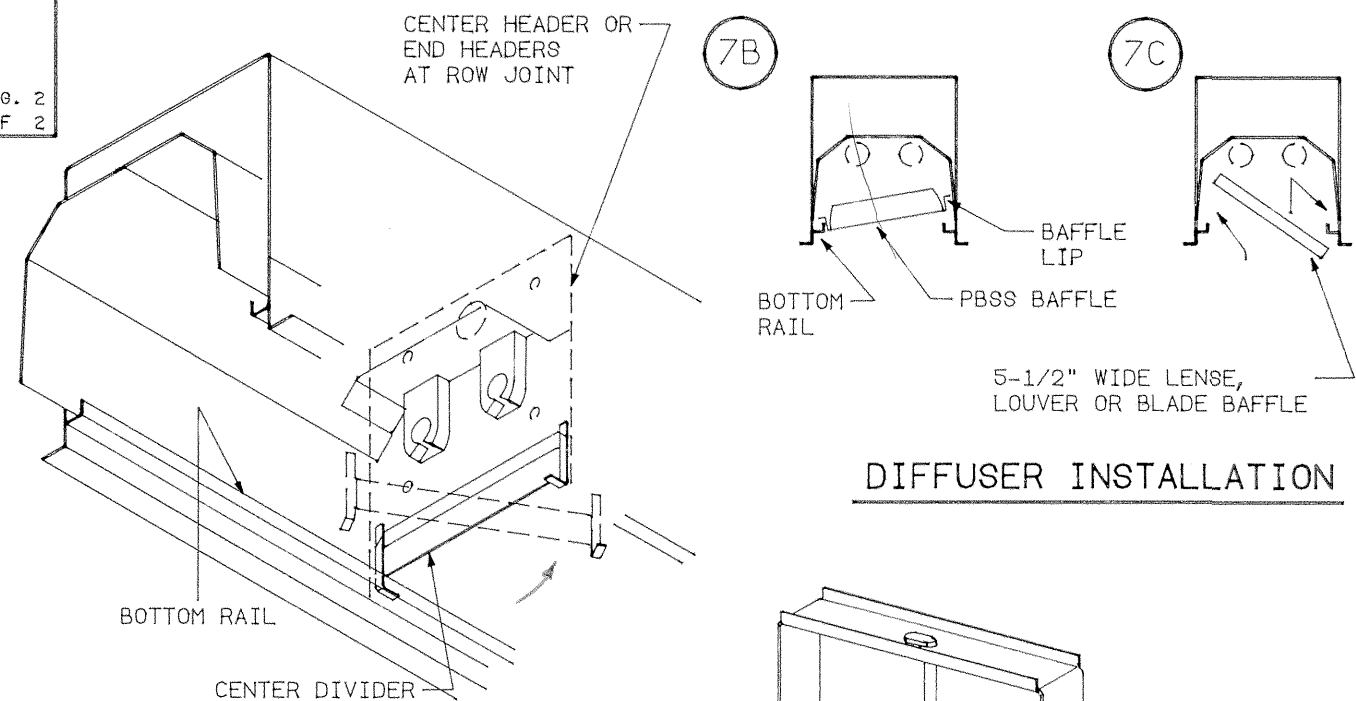
3. MOUNTING ROWS OF FIXTURES:

- A) Fixtures are each installed in ceiling opening abutting each other and connected together at row joint per Steps below:
 - B) Adjust and install all Mounting Yokes in row to ceiling structure as shown above in Plan View and per Instruction sheet No. 510088.
 - C) Mount an End Cap to one end of the 1st fixture in row per Step 2B on page 1.
 - D) Install this fixture into ceiling per Steps 2A, 2D and 2E.
 - E) Lift the next fixture in row into ceiling opening and mount to its Yokes. Loosely bolt this fixture to 1st fixture at row joint with (4) 1/4-20 x 3/8" long machine screws and 1/4-20 hex nuts (found in polybag) thru end header holes as shown in View "D".
 - F) Press a Spline (found in polybag) into each bottom rail at row joint for alignment. Align seams at row joint before tightening all screws.
 - G) Repeat steps 3E, & 3F for each additional fixture in row.
 - H) Attach another End Cap to the last fixture in row before installing into ceiling.
4. Bring wire feed thru the 7/8" holes in the end headers and make connections.
5. Replace all Reflector Halves and remove all wrapping material.
6. Clean fixture exteriors with a general window cleaner and install lamps (by others).

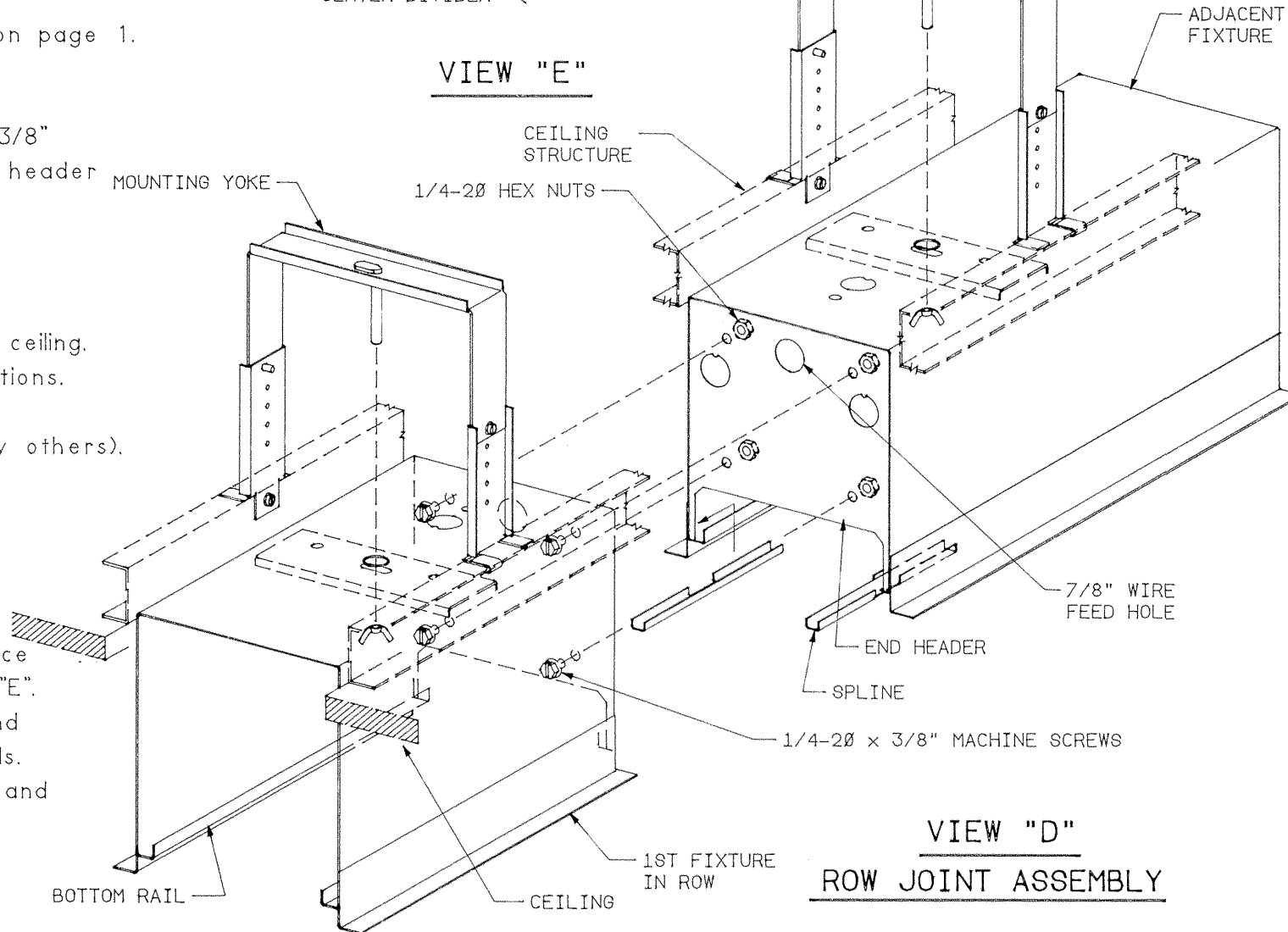
7. DIFFUSER INSTALLATION:

Use caution when installing diffusers to prevent lamp damage.

- A) Center Dividers (found in polybag) are used at the center headers of 6' & 8' long fixtures and at each row joint ONLY when Plastic lenses or Louvers are used. Insert Center Divider up thru bottom opening of fixture, rotate into place and then pull down into bottom rails or Splines until seated: See View "E".
- B) PARABOLIC BAFFLES (PBSS or PBSG) are shifted into fixture opening and lowered into place by pulling down on baffle until lip sits on bottom rails.
- C) LENSES, LOUVERS AND BLADE BAFFLES are shifted into fixture opening and rest on top of bottom rails.



DIFFUSER INSTALLATION



**VIEW "D"
ROW JOINT ASSEMBLY**

LITECONTROL

100 HAWKS AVENUE - PO BOX 100 - HANSON MA 02341, 781-294-0100