

INSTALLATION
INSTRUCTIONS

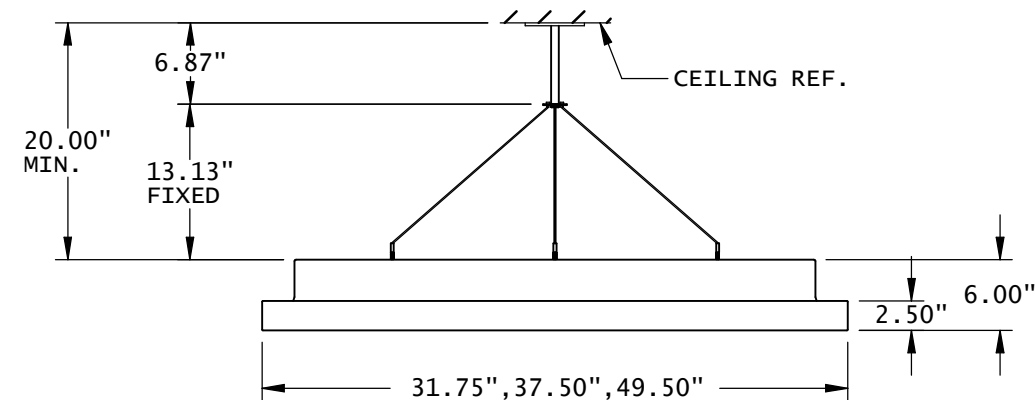
FIXTURE TYPE _____

P-D-38S/38M/38L00
FIXTURE ASSEMBLY

P/C 510579-0000

PG. 1 OF 2

DO NOT MODIFY OR ALTER THIS PRODUCT IN ANY WAY, OR INSTALL IN ANY FASHION WHICH IS CONTRARY TO THE INSTRUCTIONS CONTAINED HEREIN. IF YOU HAVE ANY QUESTIONS REGARDING THIS PRODUCT OR THE INSTALLATION OF IT, PLEASE CALL LITECONTROL ENGINEERING AT 781-294-0100.

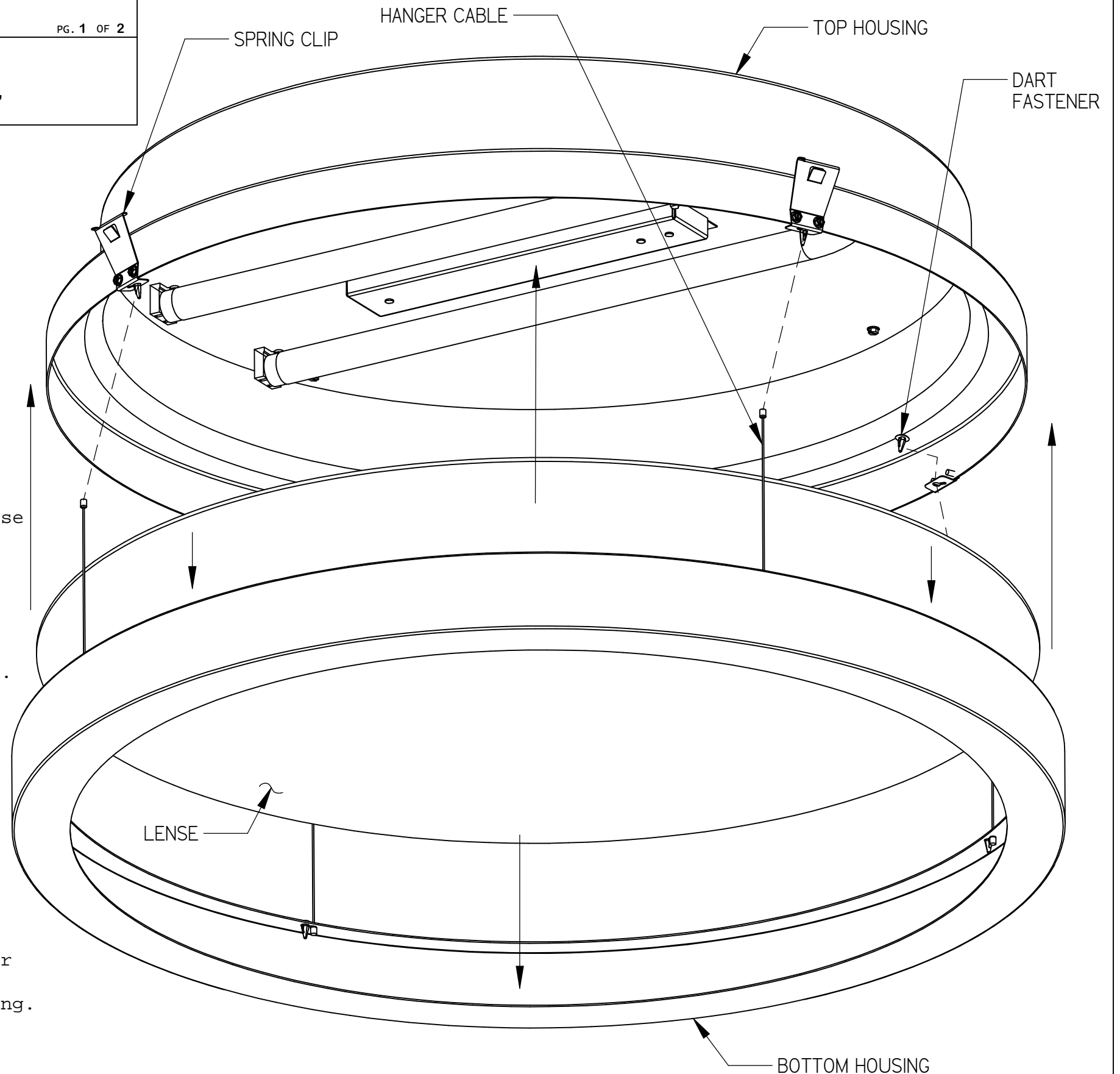


CROSS SECTION

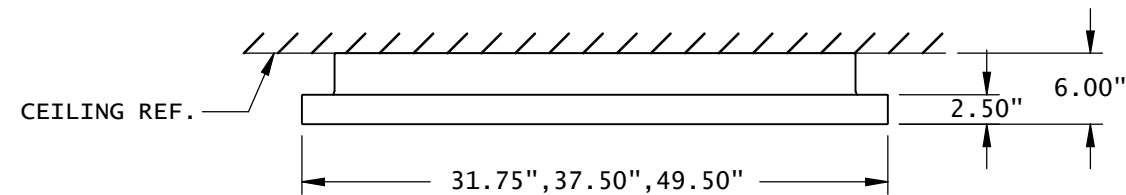
INSTRUCTIONS (pendant mounted):

Note: Litecontrol recommends two people for installation of these fixtures.

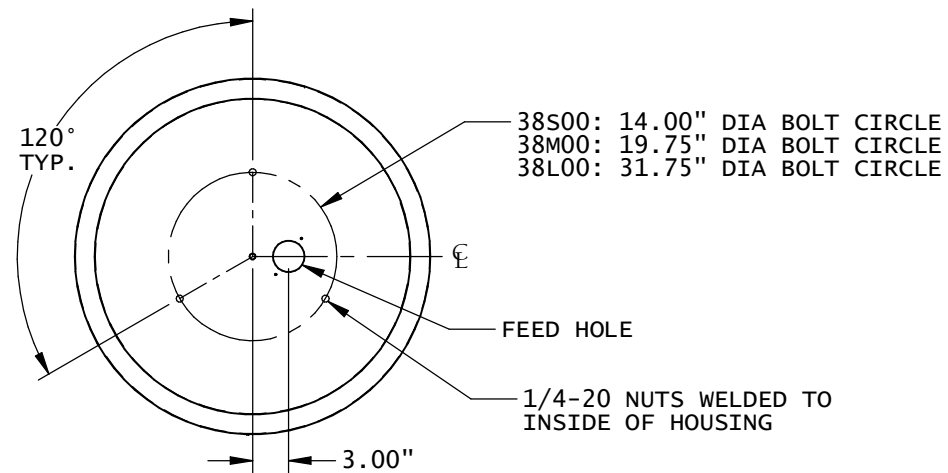
1. Install pendant assembly (shipped separately) per pendant instruction sheet 510358.
2. Lift top housing up and thread the (3) cable studs into weldnuts on top of housing. Level fixture by threading studs in or out of mounting holes and then tighten lock nuts.
3. Loosen access cover sheet metal screws and remove cover. Remove knockout in cover for installation of bushing.
4. Position feed cord against adjacent cable and tie cord to cable with nylon tie fasteners.
5. Attach a strain relief bushing to lower end of feed cord and snap bushing into hole in access cover.
6. Make wiring connections and tuck wires back under access cover. Replace access cover and tighten screws.
7. Install lamps (by others) by inserting lamp base into socket and swinging lamp upward into lamp clip.
8. Place lense into lower ring with textured side facing down. Raise lower housing up to top housing and insert hanger cables into keyholes in spring clips. Push in a dart fastener into keyhole to prevent hanger cable from coming out. Raise bottom housing until it snaps into spring clips on top housing. Make sure all spring clips are engaged.
9. Clean fixture with general window cleaner.



DO NOT MODIFY OR ALTER THIS PRODUCT IN ANY WAY, OR INSTALL IN ANY FASHION WHICH IS CONTRARY TO THE INSTRUCTIONS CONTAINED HEREIN.
IF YOU HAVE ANY QUESTIONS REGARDING THIS PRODUCT OR THE INSTALLATION OF IT, PLEASE CALL LITECONTROL ENGINEERING AT 781-294-0100.



CROSS SECTION



TOP VIEW

INSTRUCTIONS (surface mounted):

Note: Litecontrol recommends two people for installation of these fixtures.

1. Refer to top views for mounting locations and install adequate blocking in ceiling to support weight of fixture. Approximate weight fixtures are: 38S00 = 33 lbs, 38M00 = 46 lbs, 38L00 = 80 lbs. Install outlet box flush with ceiling in location shown.
2. Remove socket plate by removing sheet metal screws as shown. Remove access cover.
3. Lift fixture up to ceiling and feed power feed thru large hole in top of housing and attach fixture to ceiling using #10 anchor screws and washers (supplied by contractor). 1/4-20 nuts are welded to inside of housing for alternate mounting.
4. Remove knockout in access cover and feed power feed thru hole. Attach feed to access cover with connector (by contractor) and attach access cover to inside of housing with sheet metal screws.
5. Bring socket plate up to fixture and make wiring connections. Re-install socket plate with sheet metal screws. Go to step 7 on page 1.

