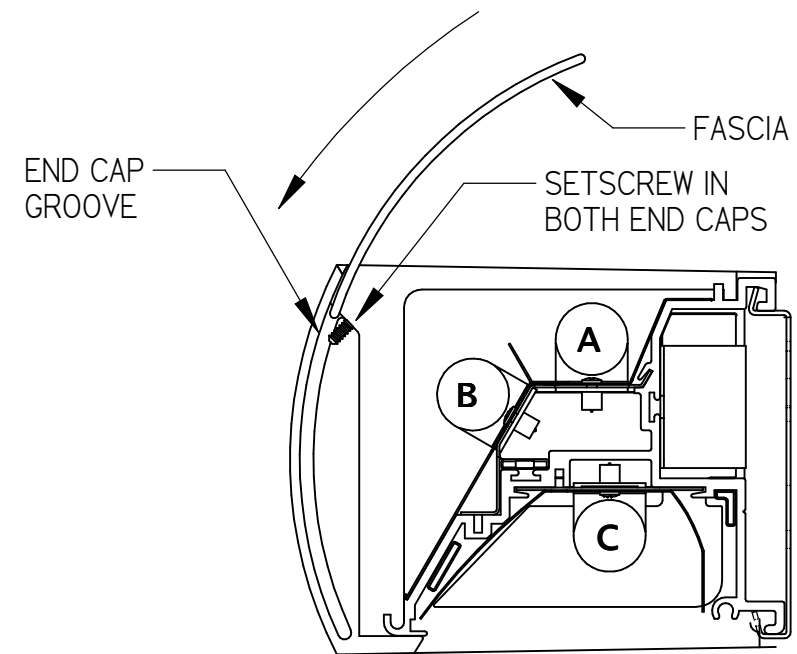


GENERAL NOTES: READ SHEET COMPLETELY BEFORE STARTING

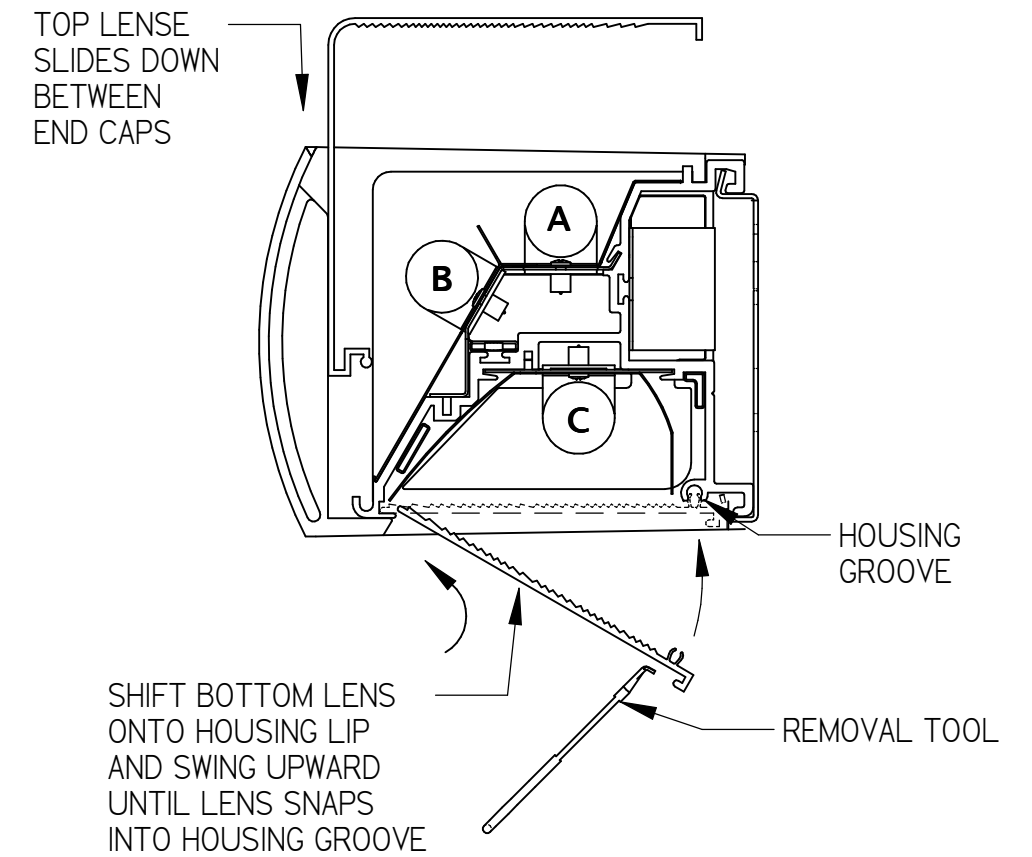
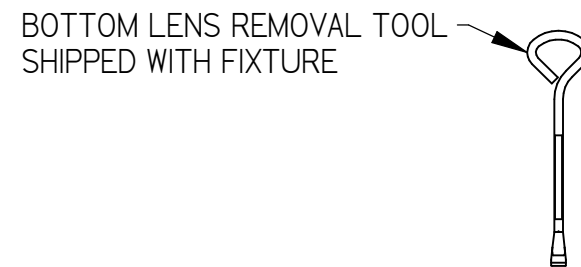
1. Fixture and lamps must be installed prior to Fascia and Lens installation. Refer to Fixture instruction sheet 510497.
2. Fascia and lenses are shipped separately.

INSTRUCTIONS:

1. Slide Fascia into grooves in End Caps and secure in place by tightening setscrews with allen key provided with fixture. Do not over tighten setscrews as this may crack Fascia.
2. Slide Top Lens downward between End Caps as shown until lens is seated.
3. Shift Bottom Lens into housing as shown and swing upward until lens snaps into groove along full length of Housing. To remove Bottom lens, Hook end of Removal Tool onto lip of lense and carefully pull downward along length until it disengages from groove.
4. Clean exterior surfaces of Fascia and Lenses with liquid window cleaner on a dampen cloth.



FASCIA INSTALLATION



TOP & BOTTOM LENS INSTALLATION