

INSTALLATION INSTRUCTIONS

FIXTURE TYPE \_\_\_\_\_

AMY OPTION  
P-ID-8200, 9300 & 9400

P/C 510419-2000

DATE: 9-3-04

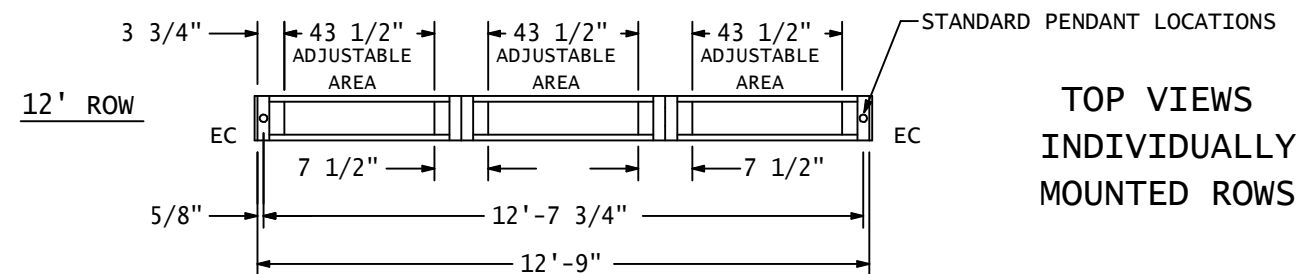
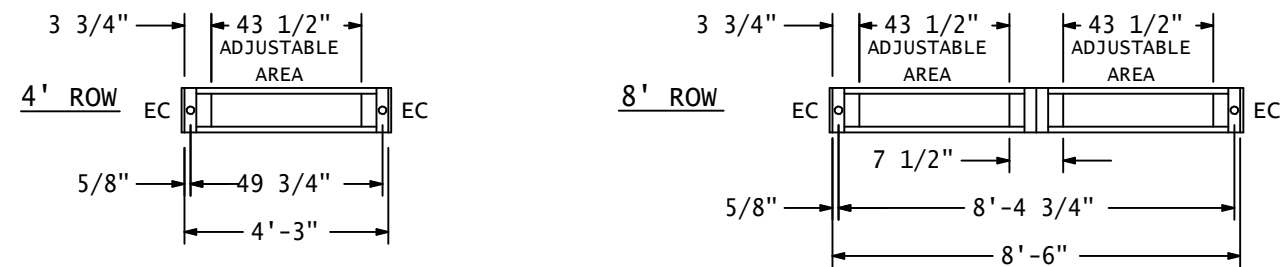
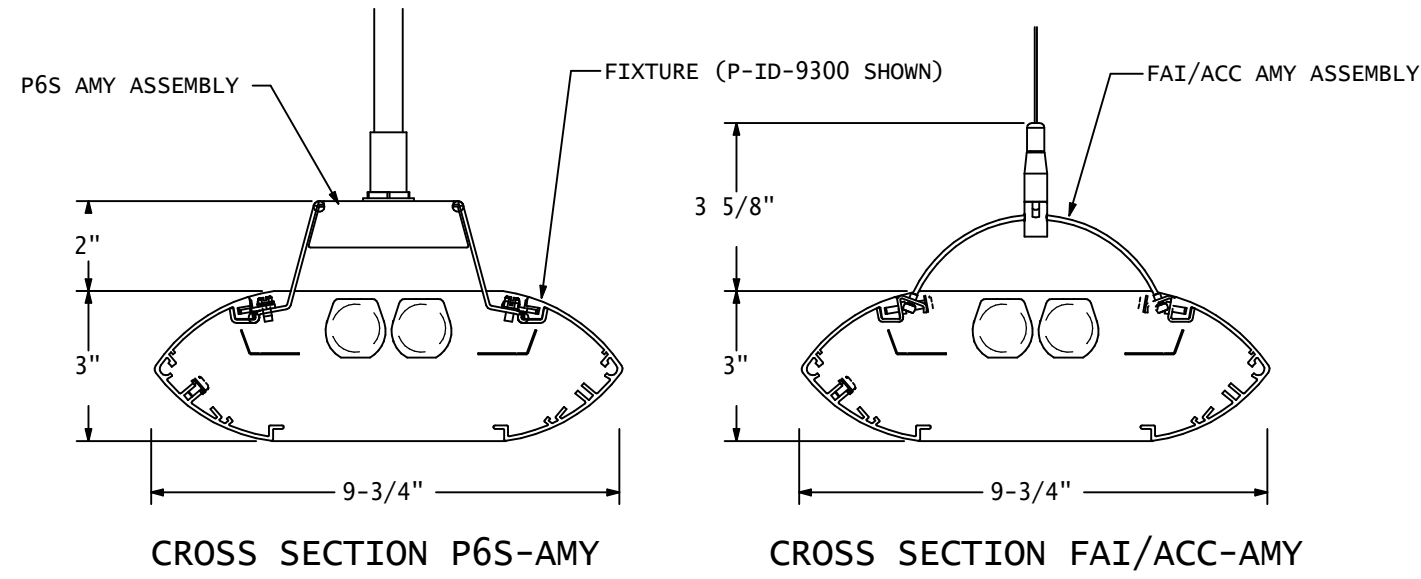
PG. 1 OF 2

DO NOT MODIFY OR ALTER THIS PRODUCT IN ANY WAY, OR INSTALL IN ANY FASHION WHICH IS CONTRARY TO THE INSTRUCTIONS CONTAINED HEREIN.

IF YOU HAVE ANY QUESTIONS REGARDING THIS PRODUCT OR THE INSTALLATION OF IT, PLEASE CALL LITECONTROL ENGINEERING AT 781-294-0100.

**GENERAL NOTES: Read Instructions completely before starting.**

- A) This instruction sheet is used with fixture installation instructions 510414, 510415 and 510457. Installation of the "Adjustable Mounting Yokes" (AMY) is the same for P-ID-8200, P-ID-9300 and P-ID-9400 fixtures.
- B) AMY assemblies are used at NON-FEED locations and must be positioned in areas along fixture length as shown in Top Views below. For fixtures in continuous rows, refer to Litecontrol layout drawings provided by your distributor or contractor.
- C) One AMY assembly can replace only one standard pendant location.



TOP VIEWS  
INDIVIDUALLY  
MOUNTED ROWS

**INSTRUCTIONS:**

1. AMY assemblies are shipped separately.  
Peel off an Adhesive Backed plate and mount a standard pendant assembly and End Cap to one end of fixture per fixture instructions.  
This pendant location is where electrical feed may be brought into fixture. See Views on page 2.
2. Measure and locate the center of each AMY bracket from Standard pendant location.  
Refer to Litecontrol Layouts or Top Views below for individually mounted fixtures.
3. **FOR P6S AMY ASSEMBLIES: (See View "A")**  
NOTE: Stems used with AMY assemblies will be approximately 2" shorter than the stems used for Standard P6S locations.  
A) Hook the P6S bracket under lip on both sides of housing.  
Loosen the Swivel Nut mounting screws and rotate swivel nuts into housing screw slot channels. Tighten Swivel Nut Screws.  
B) Attach a Thread Cover, Locknut, and Flat washer to AMY Stem and insert stem into slot in top of bracket.  
Secure stem to Bracket with another Locknut.  
C) Lift fixture up and mount stems to ceiling then level fixture.
4. **FOR FAI/ACC AMY ASSEMBLIES: (See View "B")**  
A) Hook the FAI/ACC bracket under lip on both sides of housing. Secure each bracket to housing screw slot channel with (1) 8-32 machine screw shipped with AMY assemblies.  
B) With allen head key, loosen the setscrew in bottom of Adjustable Cable Gripper.  
Loosen Cap on Gripper and insert Aircraft Cable into top of gripper until it exits out side of gripper.  
C) Lift fixture up and mount cables to ceiling then level fixture by sliding gripper side to side on the Bow cable.  
Tighten Setscrew after fixture is level.  
D) Tighten cap and trim off excess Aircraft cable extending out side of gripper.
5. Attach each succeeding AMY assembly to adjacent fixtures per these steps and steps shown on instructions 510414, or 510415 or 510457 for row mounting.

INSTALLATION  
INSTRUCTIONS

FIXTURE TYPE \_\_\_\_\_

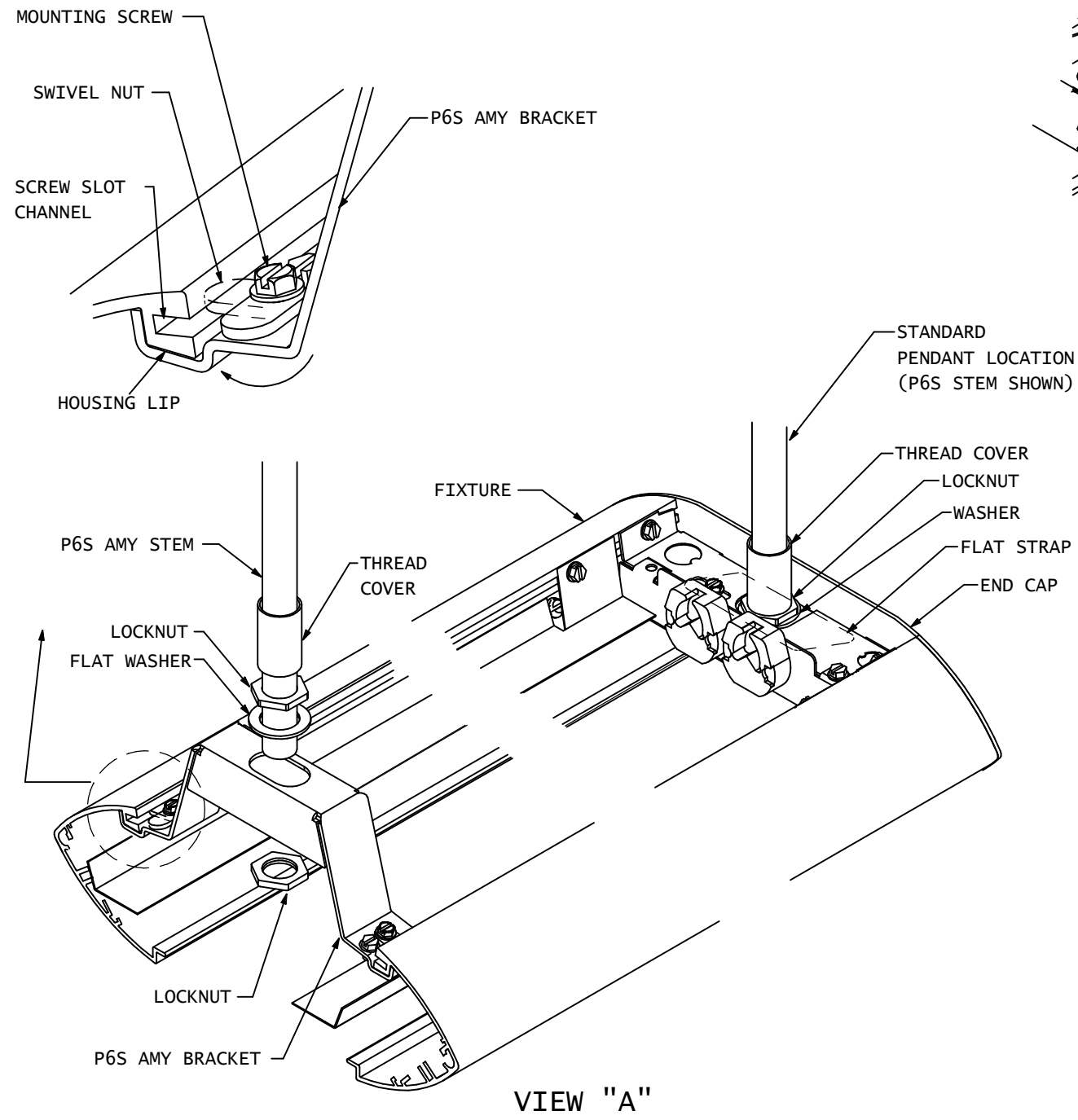
AMY OPTION  
P-ID-8200, 9300 & 9400

P/C 510419-2000

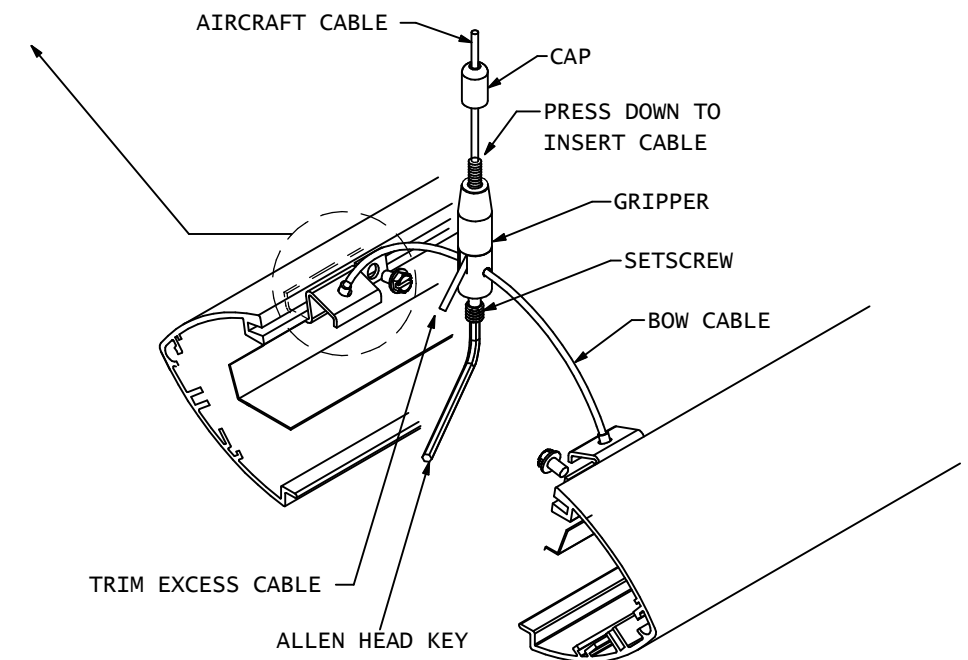
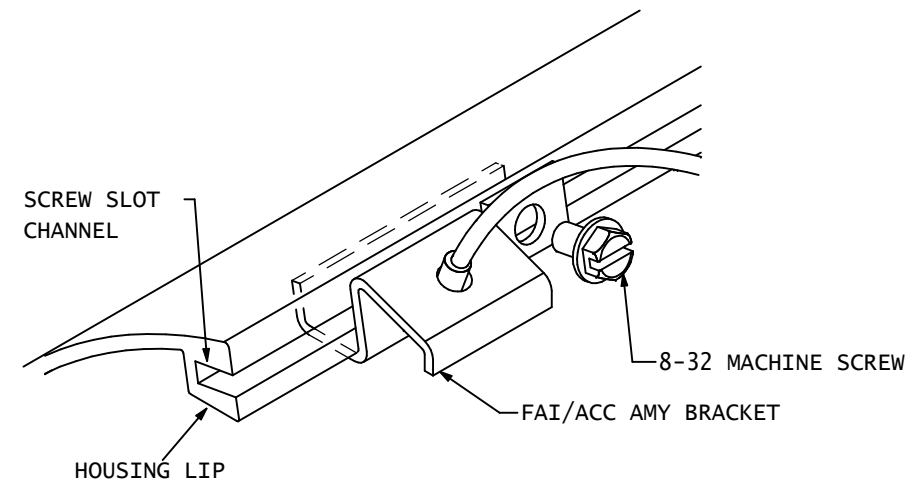
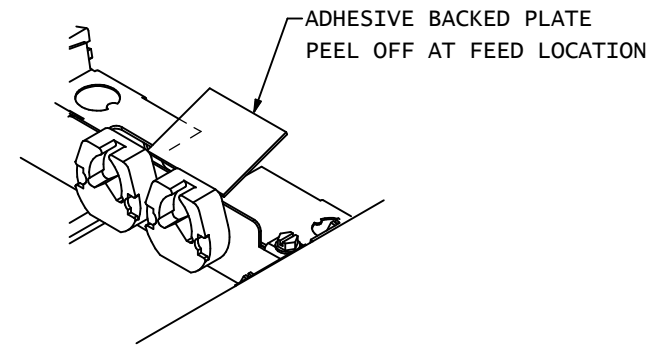
DATE: 9-3-04

PG. 2 OF 2

DO NOT MODIFY OR ALTER THIS PRODUCT IN ANY WAY, OR INSTALL IN ANY FASHION WHICH IS CONTRARY TO THE INSTRUCTIONS CONTAINED HEREIN.  
IF YOU HAVE ANY QUESTIONS REGARDING THIS PRODUCT OR THE INSTALLATION OF IT, PLEASE CALL LITECONTROL ENGINEERING AT 781-294-0100.



VIEW "A"



VIEW "B"