

**INSTALLATION  
INSTRUCTIONS**

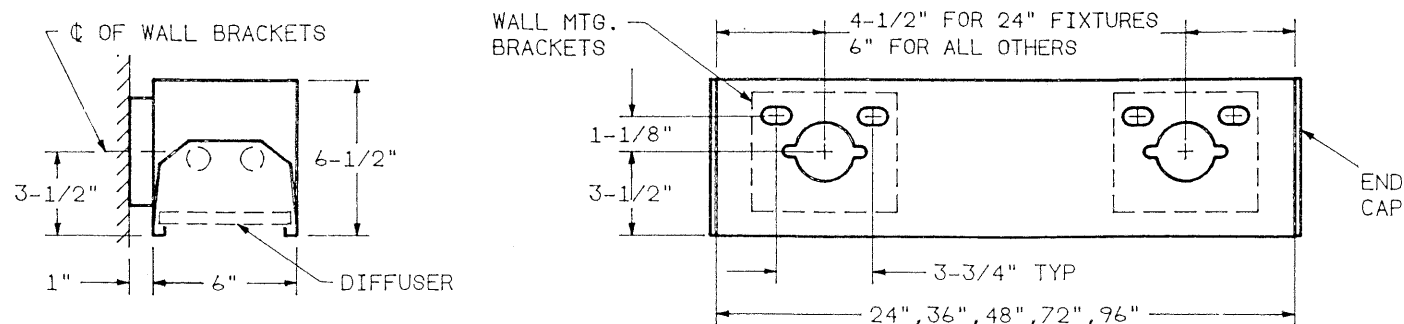
FIXTURE TYPE \_\_\_\_\_

MOD-66  
W-D-66N00

PART NO. 510075-2000

PG. 1  
OF 2

DO NOT MODIFY OR ALTER THIS PRODUCT IN ANY WAY, OR INSTALL IN ANY FASHION WHICH IS CONTRARY TO THE INSTRUCTIONS CONTAINED HEREIN.  
IF YOU HAVE ANY QUESTIONS REGARDING THIS PRODUCT OR THE INSTALLATION OF IT, PLEASE CALL LITECONTROL ENGINEERING AT 781-294-0100



CROSS SECTION

○ = 5/16" x 1/2" MTG. SLOTS  
⊕ = 2-1/2" DIA. FEED KO'S

ELEVATION VIEW

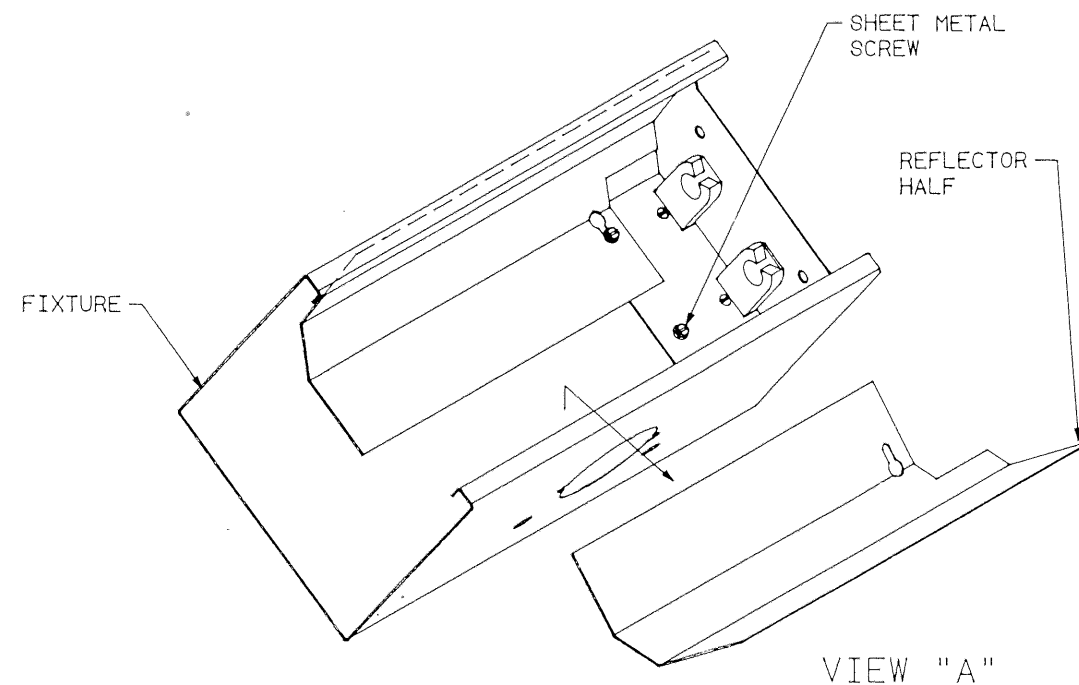
**GENERAL NOTE: (READ SHEETS COMPLETELY BEFORE STARTING)**

Leave protective wrapping material on fixture until fixtures are mounted:  
This will protect finish from damage.

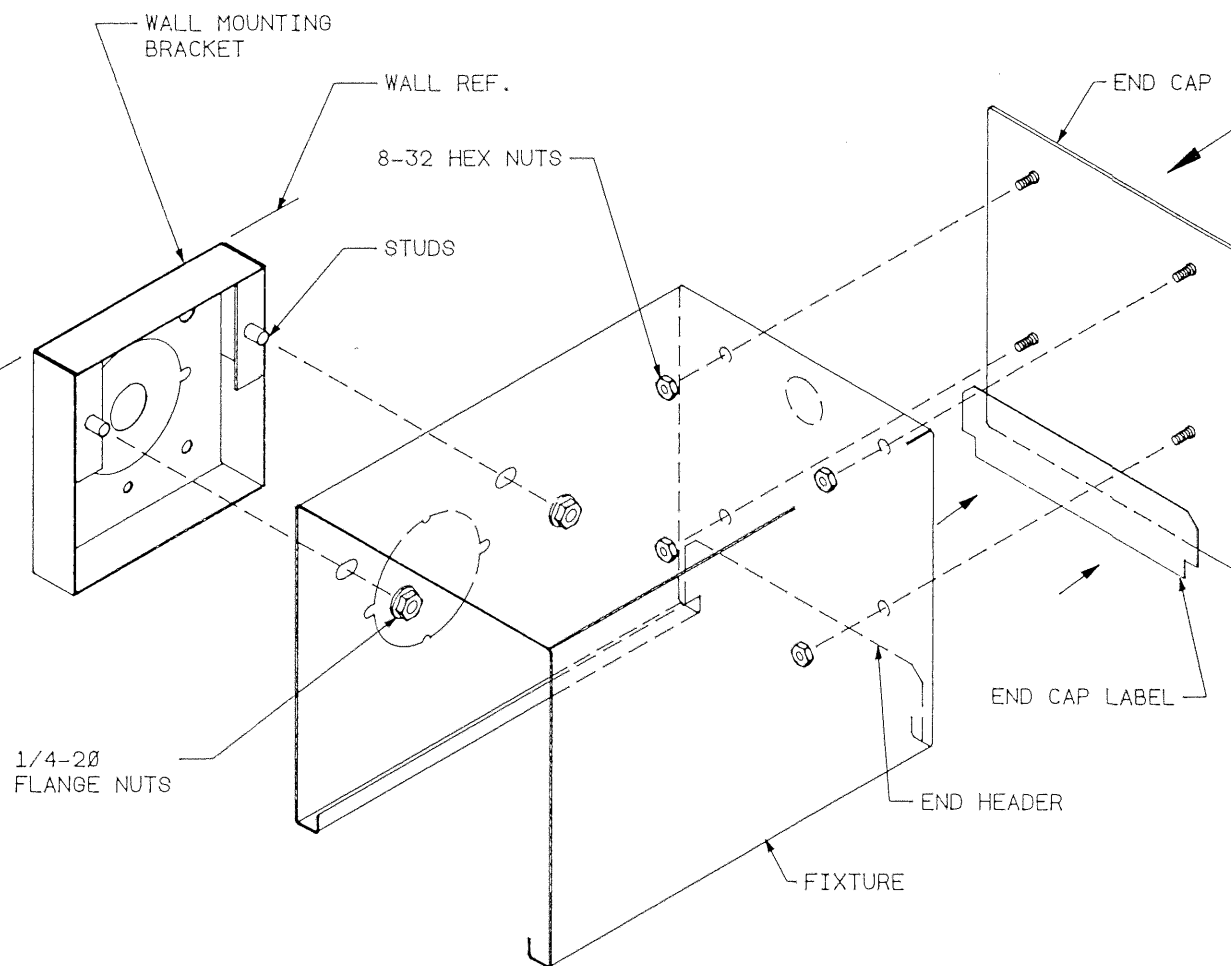
**INSTRUCTIONS:**

1. Wall Mounting Brackets are shipped separately and (2) brackets are required per each fixture. Using the instruction sheet No. 510089 shipped with the brackets, mount each bracket at the required elevation and distance from each other using the dimensions shown in Elevation View above.
2. Remove Reflector Halves from fixture by loosening (4) sheet metal screws and shifting them out thru keyholes. See View "A".
3. MOUNTING INDIVIDUAL FIXTURES:
  - A) Remove a 2-1/2" KO from side of fixture at wire feed location.
  - B) Attach an End Cap (shipped separately) to both ends of fixture by inserting end cap studs thru holes in End Headers. Secure with (4) 8-32 hex nuts making sure caps are flush with ends of fixture. See View "B".  
Note: Fixtures supplied with Parabolic Baffle diffusers (PBSS) are provided with adhesive backed End Cap Labels which are attached to end caps after caps are installed. Peel off label backing paper and using the cutout in the end header as a guide, press label onto end cap.
  - C) Lift fixture onto wall bracket studs and bring wire feed into wireway.  
Secure fixture to brackets with 1/4-20 flange nuts and make wiring connections.

GO TO STEP 6 ON PAGE 2.



VIEW "A"



VIEW "B"

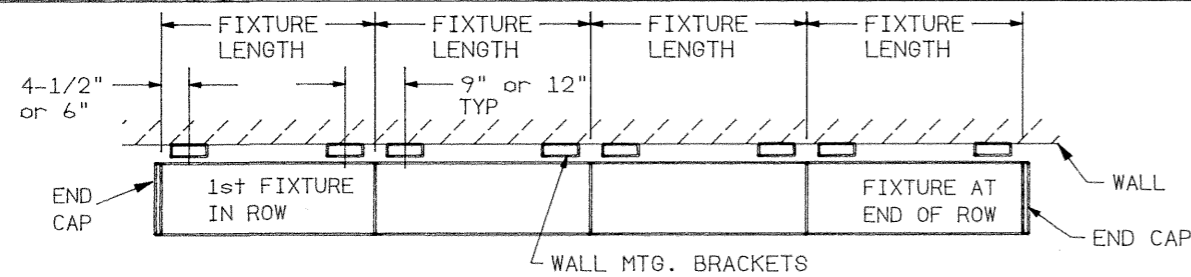
**INSTALLATION INSTRUCTIONS**

PART NO. 510075-2000

FIXTURE TYPE \_\_\_\_\_

MOD-66  
W-D-66N00

PG. 2  
OF 2



**PLAN VIEW FOR ROW MOUNTED FIXTURES**

**4. MOUNTING ROWS OF FIXTURES:**

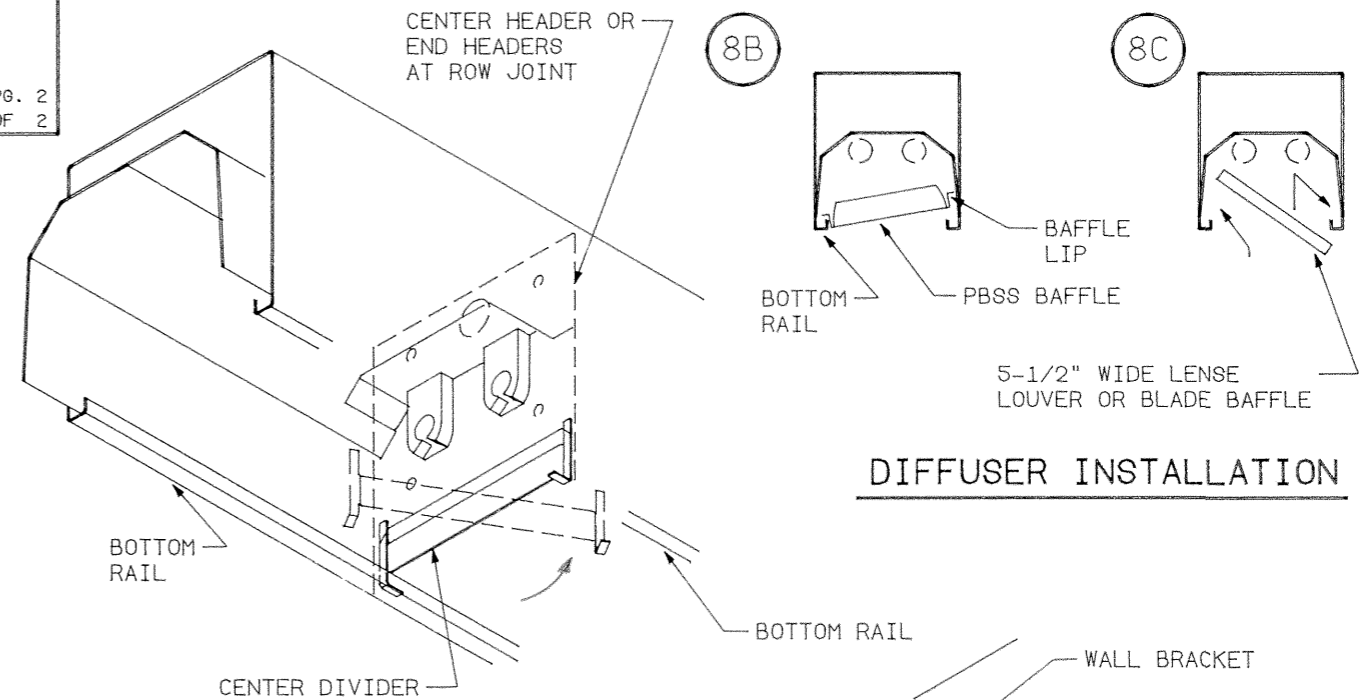
- A) Locate Wall Mounting Brackets along a straight line on wall as shown in Plan View above.
- B) Attach an End Cap to one end of the 1st fixture in row per Step 3B.
- C) Mount the 1st fixture in row to its wall brackets per Steps 3A and 3C on page 1; Do not tighten bracket flange nuts at this time.
- D) Loosely mount the next fixture in row to its wall brackets.  
Bolt this fixture to 1st fixture at row joint with (4) 1/4-20 x 3/8" long machine screws and 1/4-20 hex nuts (found in polybag) thru end header holes as shown in View "C".
- E) Press a Spline (found in polybag) into each bottom rail at row joint for alignment.
- F) Level each fixture and align seams at row joint before tightening all screws and bracket flange nuts.  
Repeat steps 4D, 4E & 4F for each additional fixture in row.
- G) Install another End Cap over open end of the last fixture in row.

5. Bring wire feed thru the 7/8" holes in the end headers and make connections.
6. Replace all Reflector Halves and remove all wrapping material.
7. Clean fixture exteriors with a general window cleaner and install lamps (by others).

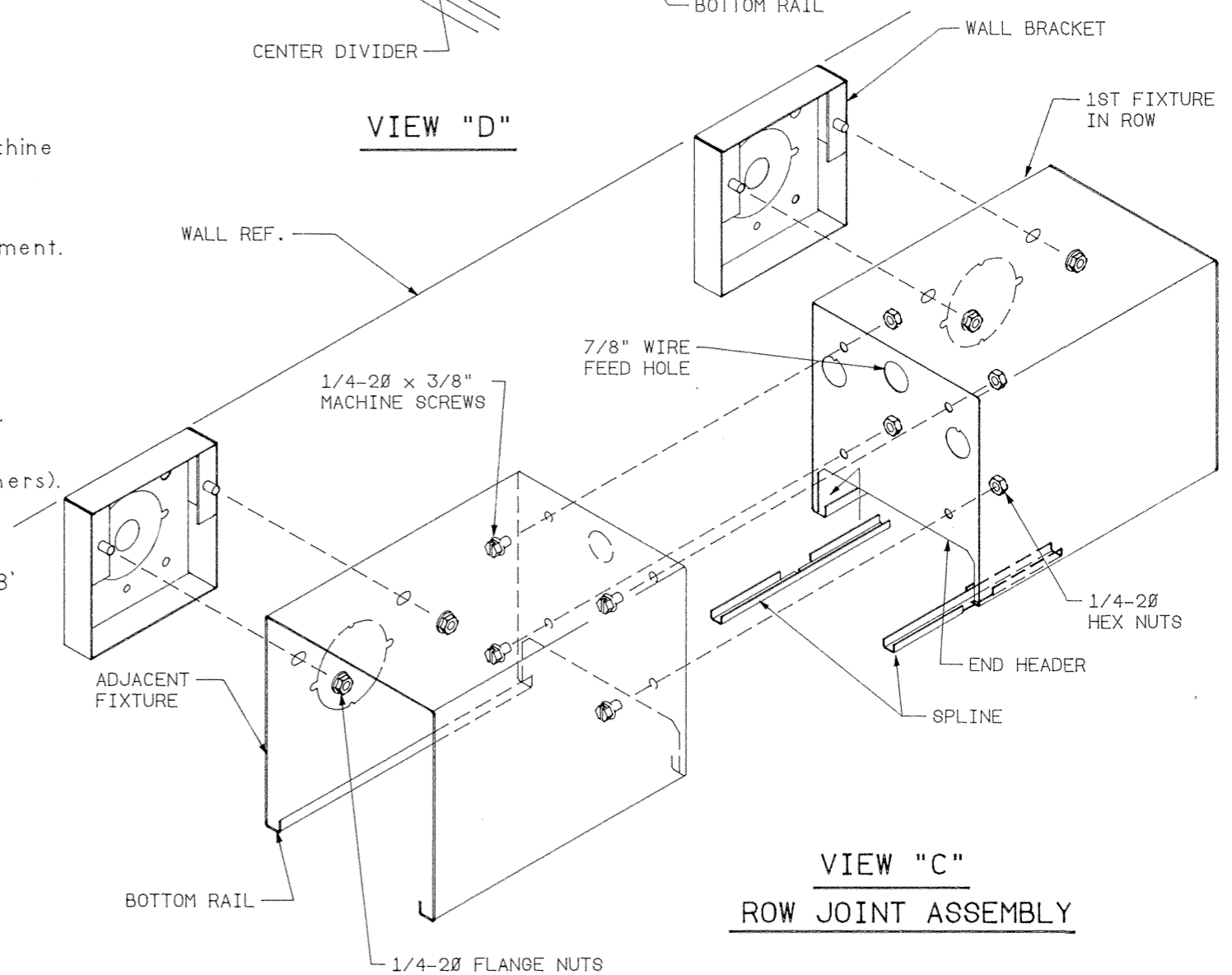
**8. DIFFUSER INSTALLATION:**

Use caution when installing diffusers to prevent lamp damage.

- A) Center Dividers (found in polybag) are used at the center headers of 6' & 8' long fixtures and at each row joint ONLY when Plastic lenses or Louvers are used.  
Insert Center Divider up thru bottom opening of fixture, rotate into place and then pull down into bottom rails or Splines until seated; See View "D".
- B) PARABOLIC BAFFLES (PBSS or PBSG) are shifted into fixture opening and lowered into place by pulling down on baffle until lip sits on bottom rails.
- C) LENSES, LOUVERS AND BLADE BAFFLES are shifted into fixture opening and rest on top of bottom rails.



**DIFFUSER INSTALLATION**



**VIEW "C"  
ROW JOINT ASSEMBLY**

**LITECONTROL**

100 HAWKS AVENUE - PO BOX 100 - HANSON MA 02341, 781-294-0100