

INSTALLATION INSTRUCTIONS

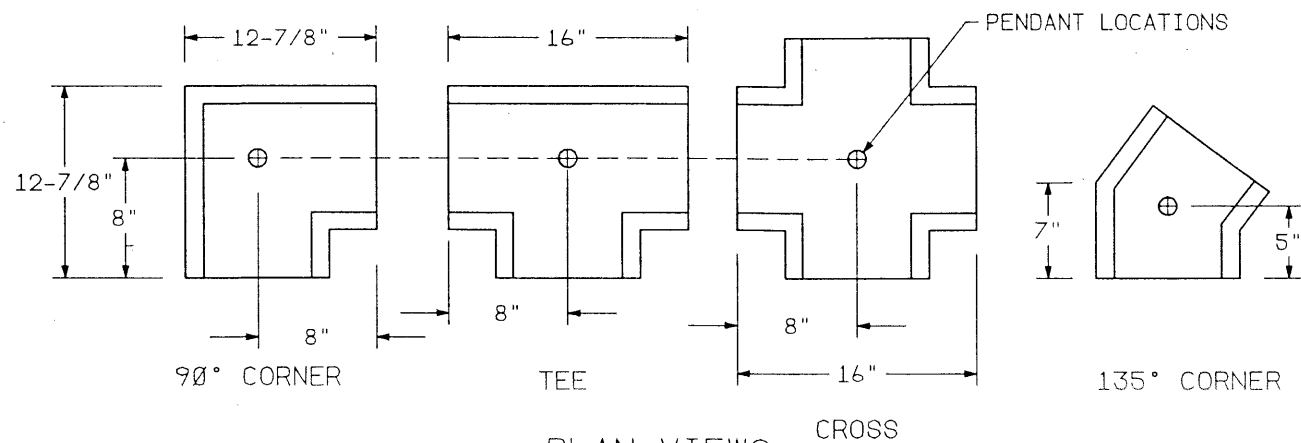
FIXTURE TYPE _____

P-ID-9300 SYSTEM CONNECTORS

PART NO. 510412-0000

Pg. 1 OF 1

DO NOT MODIFY OR ALTER THIS PRODUCT IN ANY WAY, OR INSTALL IN ANY FASHION WHICH IS CONTRARY TO THE INSTRUCTIONS CONTAINED HEREIN. IF YOU HAVE ANY QUESTIONS REGARDING THIS PRODUCT OR THE INSTALLATION OF IT, PLEASE CALL LITECONTROL ENGINEERING AT 781-294-0100.

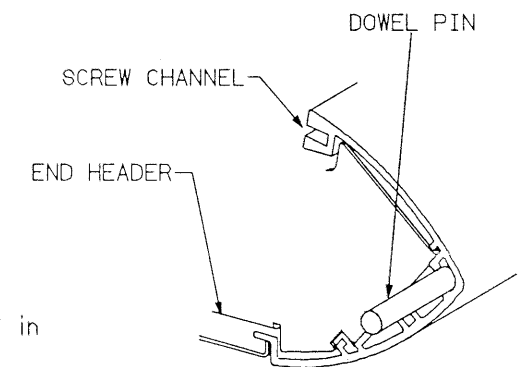
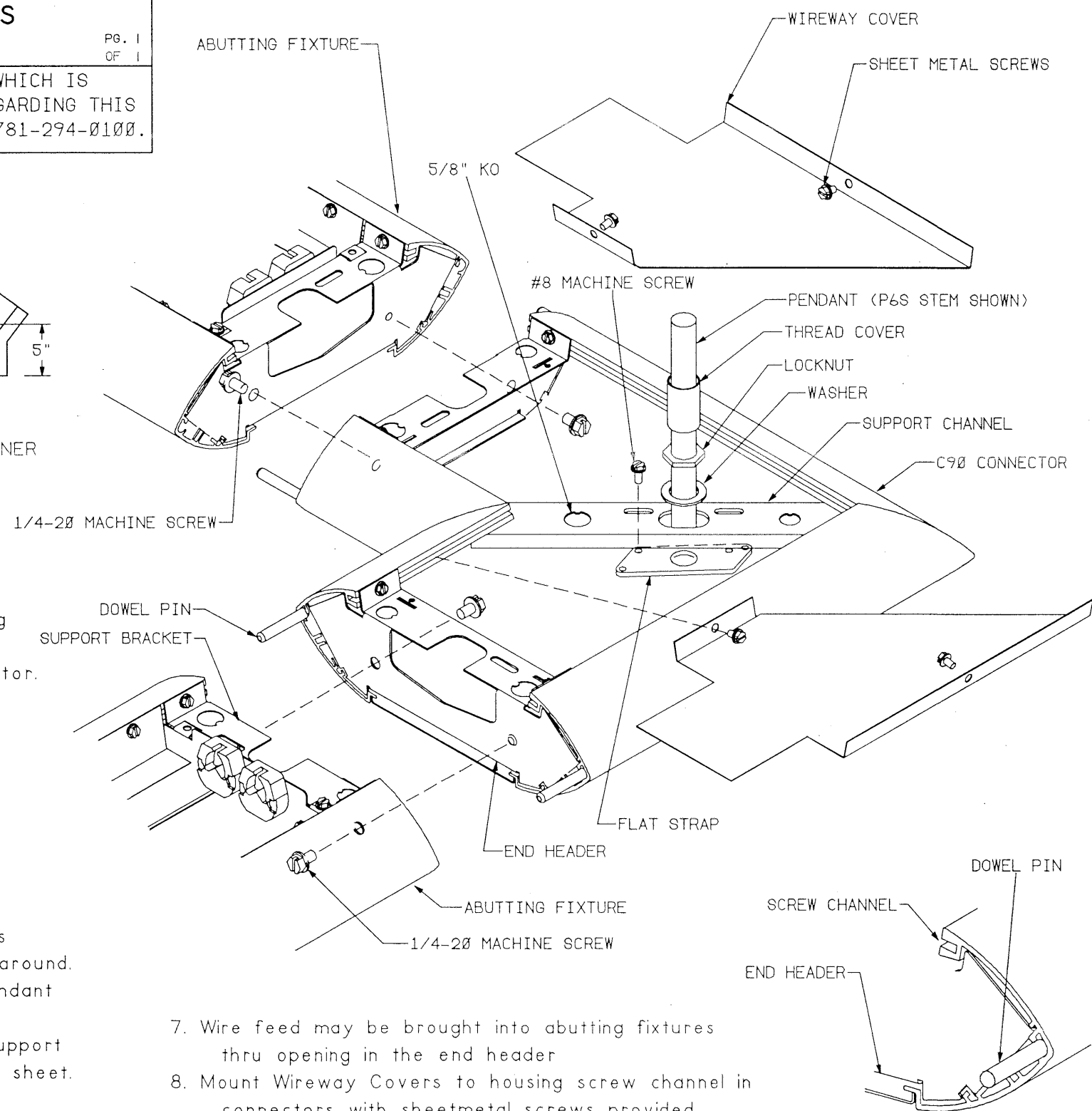


GENERAL NOTES:

- 1) This instruction sheet is used with fixture instruction sheet 510414.
- 2) Although the 90° corner is shown on this sheet, installation of all the system connectors is similar.
- 3) Litecontrol recommends that a system connector be assembled to an abutting fixture before attaching pendants.
- 4) Wireway covers and their mounting screws are shipped unattached to connector.

Instructions:

1. Locate pendants in ceiling using the plan views above and on the fixture instruction sheet 510414.
2. Mount a flat strap underneath the support channel with (1) 8-32 x 3/8" long hex head machine screw.
Remove a 5/8" KO in support channel for wire feed if aircraft cables are being used to hang connector. Feed may be run inside stem if used.
3. Insert (2) dowel pins halfway into each end of connector. See View.
4. Loosely attach connector to abutting fixture with (2) 1/4-20 machine screws thru end headers. Tighten screws making sure that joint seam is flush all around.
5. Slide a Thread Cover, washer and thread a locknut onto pendant. Screw pendant into Flat Strap.
Mount another Pendant, Thread Cover, washer, locknut and Flat Strap to Support Bracket at the opposite end of the abutting fixture per fixture instruction sheet. Lift this assembly up and mount to ceiling.
Level fixture up or down by threading stems or cable studs into Flat Straps. Level fixture/connector horizontally by loosening flat strap machine screws and sliding straps from side to side.
6. Mount another fixture to each leg(s) of connector per steps 4 & 5 above.



7. Wire feed may be brought into abutting fixtures thru opening in the end header
8. Mount Wireway Covers to housing screw channel in connectors with sheetmetal screws provided. Covers will extend beyond end of connector and partially cover support bracket in abutting fixtures.
9. Clean exterior surfaces with a general window cleaner.

LITECONTROL

100 HAWKS AVENUE - HANSON MA 02341, (781-294-0100)

FILE C