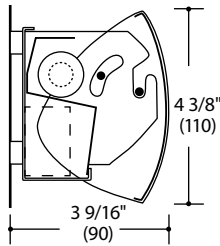
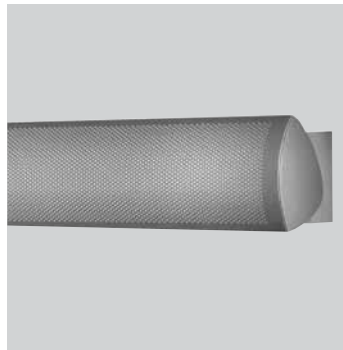


# LITECONTROL

Fixture Type:  
Project name:



Indirect/Direct  
(W-AID)



## V3™

### W-A-3400

Adjustable Distribution Wall Valance  
**Available with 3form fascia.**  
**Available with integrated occupancy sensor.**

### Product Description

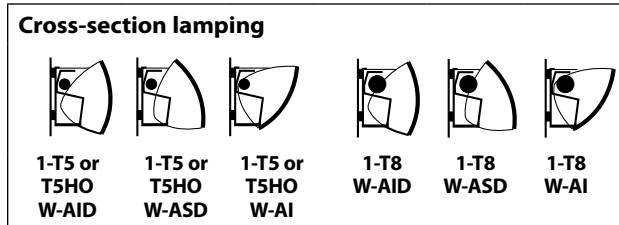
V3 is an adjustable distribution wall valance with a slim, ADA-compliant profile. This fixture is Cradle to Cradle Silver Certified™ by MBDC. Available with an integrated ultrasonic occupancy sensor. Available with 3form fascia options. UL Listed.

CS™ Control Solutions available

## Ordering Guide

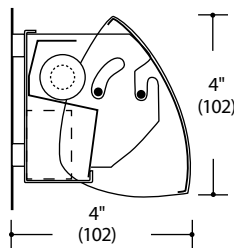
Product, lamping, & length						Options					
<b>W -</b>	<b>AID -</b>	<b>34</b>	<b>1</b>	<b>4</b>	<b>T5HO -</b>	<b>PFF -</b>	<b>CWM -</b>	<b>LP/ELB -</b>	<b>1 CWQ -</b>	<b>LP/EF -</b>	<b>120</b>
Mounting	Distribution	Series	Lamp Count	Nominal Length(ft)	Lamp Type	Fascia Type	Finish	Ballast	Circuiting	Other Options	Volts
<b>W</b> Wall-Mounted	<b>AID</b> Indirect/ Direct <b>AI</b> Indirect <b>ASD</b> Semi-Direct	<b>34</b>	1 → 1 → 1 → 2 → 2 →	<b>2</b> <b>3</b> <b>4</b> <b>6</b> <b>8</b>	<b>T8</b> <b>T5HO</b> <b>T5</b>	<b>PFF</b> <b>NPFF</b> <b>MDB</b> <b>LO</b> <b>FX</b>	<b>CWM</b> (Matte White) is standard	<b>LP/ELB</b> is standard <b>LPD/ELB</b> <b>LLS2</b>	<b>1CWQ</b>	<b>CS/us</b> <b>LP/EF</b> <b>F</b>  see <b>Other options</b>	<b>120</b> <b>277</b>
			see notes			see Fascias	see website for other Product Finishes	see Ballast options	<b>notes:</b> Lamp Count = total number of lamps in the fixture For Ordering guide information in shaded areas, choose selection by reading ACROSS the shaded areas for correct specifications.		

**W-AID-3414T5HO-PFF-CWM-LP/ELB-1CWQ-LP/EF-120** is a typical catalog number for a 1-lamp (1 lamp in cross-section), 4-foot long, high-output T5 fixture with perforated fascia locked at the indirect/direct position, Matte White finish, low-profile electronic ballast, pre-wired with single-circuit branch wiring and quick-connects, low-profile emergency fluorescent ballast, 120 volts.

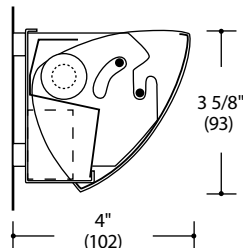


## Other Options

- CS/us** Ultrasonic occupancy sensor control solution. Available in 4 and 8-foot lengths. Available with NPFF fascia as standard, consult Litecontrol for availability of use with other fascia options. See next page for details.
- F** Fuse. Slow or fast blow available, determined by Litecontrol.
- LP/EF** Low-profile Emergency Fluorescent Ballast. Battery-powered ballast from a UL Listed manufacturer will operate one T8, T5, or T5HO lamp for 1 1/2 hours (not available for 3' fixtures). Consult factory for availability.



Semi-Direct (W-ASD)



Indirect (W-AI)

### Questions to Ask

1. Distribution? 2. Row information, including desired fixture lengths?
3. Lamp type? 4. Fascia type? 5. White finish or other? 6. Ballast options?
7. Controls solutions? 8. Other options? 9. 120 or 277 volt?

## Fascias

- PFF** Perforated Fascia. Perforated Die-formed steel.
- NPFF** Non-Patterened Fascia. Solid Die-formed steel.
- MDB** Moderna Drift Blue. 1/8" thick translucent polyester resin panel fascia from 3form with blue curvilinear pattern running horizontally. Supermatte exterior finish.
- LO** Linea Ochre. 1/8" thick translucent polyester resin panel fascia from 3form with ochre linen-like fabric pattern. Supermatte exterior finish.
- FX** Custom 3form fascia. Contact Customer Service for availability. To order custom fascia first specify 1/8" thick material name and color by visiting 3-form.com/materials-varia for available style combinations.

## Ballast Options

- LPD/ELB** Low-profile dimming electronic ballast manufactured by a UL-listed manufacturer, as available, determined by Litecontrol. The minimum number of ballasts will be used. Contact factory to specify a specific ballast.
- LLS2** Light level switching ballast. The LLS2 ballast provides two light levels – a 100% power full output level and a step-dim level at 50% power. Step-dim strategies are for use with CS/us control solution option. Not available for 1-lamp T5HO applications.

## Circuiting

- 1CWQ** Fixture is pre-wired for a single-circuit with quick-connects on one end.

Click on  
**Quick Find 34**  
  
litecontrol.com



Add CS/us to the ordering code to have a fixture-integrated ultrasonic occupancy sensor by Watt Stopper installed at the factory. Available in 4- and 8-foot length fixtures. The sensor is installed in the center of a 4-foot fascia, and provides automatic on-off or step-dim control of the fixture based on motion detection. Specify the light level switching ballast option (**LLS2**) for step-dim control. One sensor can control all the fixtures in a continuous row, specify accordingly. See the separate CS/us Technical Sheet for details. Contact factory for technical assistance.

#### Example of Control Solutions catalog number

**W-AID-3414T8-NPFF-CWM-LLS2-1CWQ-CS/us-120** is a typical catalog number for a 1-lamp (1 lamp in cross-section), 4-foot long, T8 fixture with non-pattered fascia locked at the indirect/direct position, Matte White finish, step dimming electronic ballast, pre-wired with single-circuit branch wiring and quick-connects, optional ultrasonic occupancy sensor, 120 volts.

## Specifications

**HOUSING.** Die-formed steel. T-slots and knockouts provide for fixture mounting and wiring. End headers incorporate attachment system for 3-position adjustment of fascia and row mounting.

**END CAPS.** Steel, 14-gauge, with no holes or knockouts, finished to match fascia.

**FASCIA.** Perforated (**PFF**): Fascia is die-formed 22-gauge steel with .046" diameter holes 0.140" OC, 10% open. White acrylic diffusing panel retained behind. Non-patterned (**NPFF**): Fascia is die-formed 22-gauge steel. 3form (**MDB, LO, FXY**): "3form" brand-encapsulated interlayer panel of translucent polyester resin with 40% post-industrial recycled content; heat-formed and CNC router-trimmed. Fascia is attached to housing in one of three locked positions: asymmetric indirect (**AI**), asymmetric indirect/direct (**AID**), and asymmetric semi-direct (**ASD**). On six- and eight-foot fixtures, the fascias are mounted as two three- or four-foot segments with the same joining detail at the center as two separate three- or four-foot fixtures. For longer rows, therefore, a consistent pattern of three- or four-foot perf panels can be achieved even when combining six- and three- or eight and four-foot fixtures.

**REFLECTOR.** Reflector is die-formed steel with high-reflectance white finish. Luminance Control Deflector™ (**LCD**) behind and above lamp is die-formed high-reflectance aluminum.

**LAMPING.** Available in one-lamp T8, T5 or T5HO.

**BALLAST.** Low-profile Ballast (**LP/ELB**), electronic, high power factor, thermally protected Class P, Sound Rated A, less than 10% THD, manufactured by a UL Listed manufacturer, as available, determined by Litecontrol. Ballasts with a voltage range of 120 to 277 will be used when fixture configuration and ballast availability allow. The minimum number of ballasts will be used.

**BALLAST DISCONNECT.** Fixture supplied with a ballast disconnect device to enable compliance with the NEC.

**CIRCUITING.** Fixtures are supplied with #12 AWG type THHN wire for branch circuits. One end will have factory installed push-in quick-connects. The other end will be stripped back 1/2" for quick connection in field. For fixtures to accommodate special circuits such as night light and emergency, etc., in-field wiring will be required. See Pre-wiring Information for further details.

**MOUNTING.** Housing is mounted directly to the wall with mounting screws. Four push-in rubber standoffs are installed on each 3-foot or 4-foot fixture housing section. Additional rubber standoffs are provided for each additional mounting screw position. Fixtures can be mounted in continuous rows. Spring steel splines are provided at row-joint locations.

**CERTIFICATION.** Fixture and electrical components are UL and/or CUL Listed (UL LISTED), and bear the I.B.E.W., A.F. of L. label. This fixture is Cradle to Cradle Certified™ Silver by MBDC.

Note: Litecontrol reserves the right to change specifications without notice for product development and improvement.

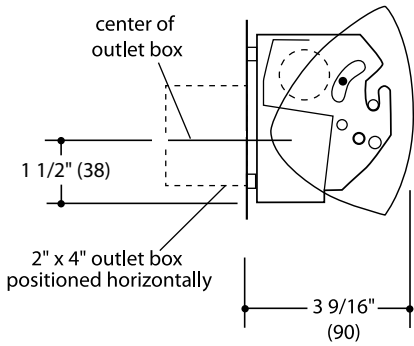
# LITECONTROL

100 Hawks Avenue Hanson, MA 02341  
781 294 0100 f: 781 293 2849 litecontrol.com



## Planning for installation

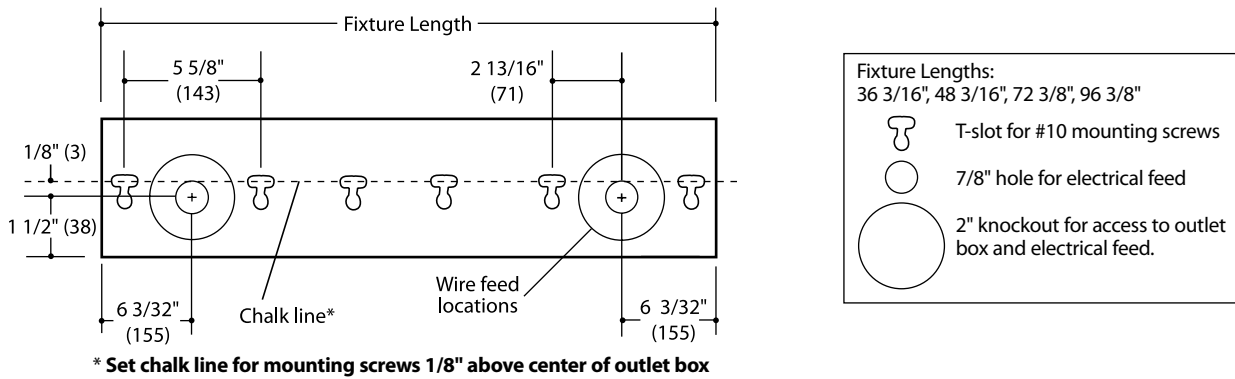
### Cross-section



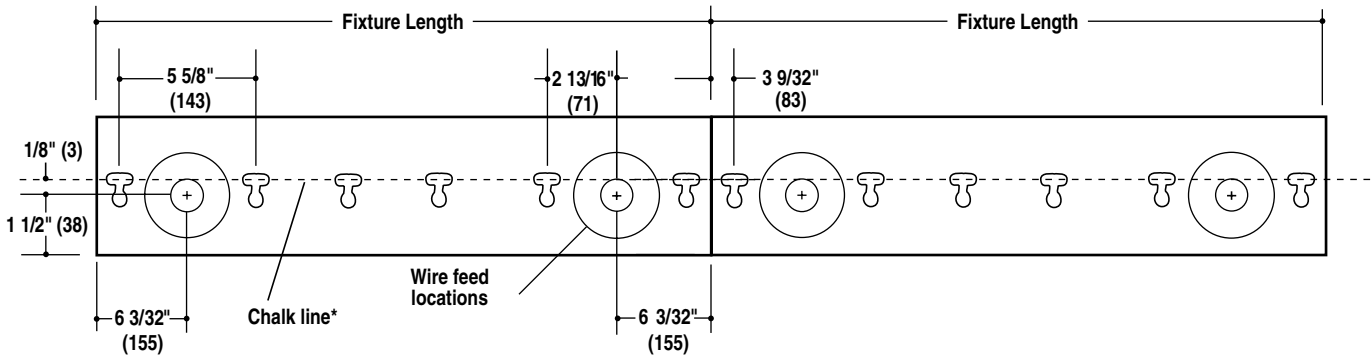
Note: Fascia is shipped separately from housing to allow for easy mounting of housing before fascia attachment. Fascia position is specified by catalog number, but may be set to any of the three positions in the field.

Emergency Ballast option in 4' fixtures will reduce the number of available mounting slot locations.

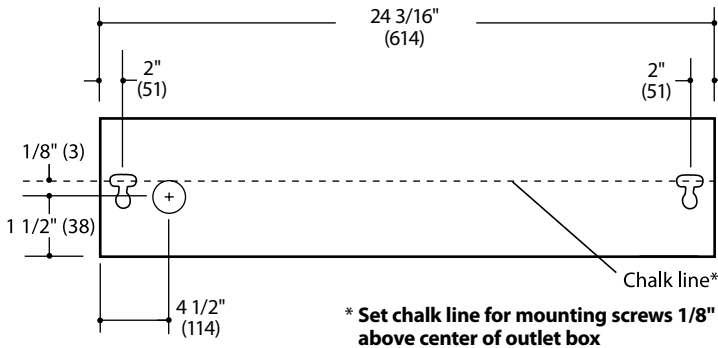
### Individual fixture



### Row mounting



### 2' fixture: Back view

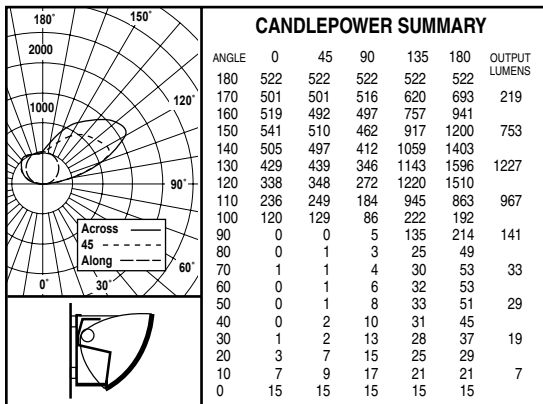


LITECONTROL

100 Hawks Avenue Hanson, MA 02341  
 781 294 0100 f: 781 293 2849 litecontrol.com



Photometric data T5HO lamps

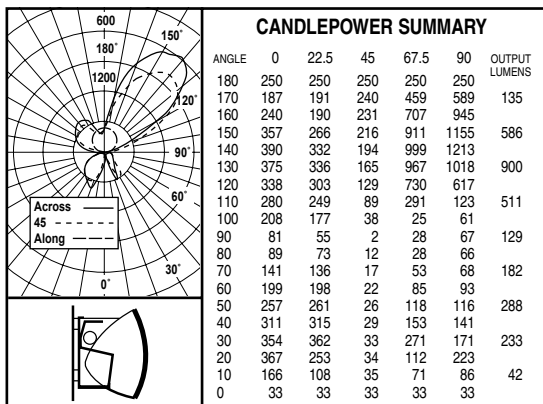


RCC	80				70				50				30				10				0
RW	70	50	30	10	70	50	30	10	50	30	10	50	30	10	50	30	10	50	30	10	0
RCR																					0
0	.65	.65	.65	.65	.56	.56	.56	.56	.39	.39	.39	.23	.23	.23	.09	.09	.09	.02			.02
1	.59	.56	.54	.51	.51	.48	.46	.44	.34	.32	.31	.20	.19	.19	.08	.07	.07	.02			.02
2	.53	.49	.45	.41	.46	.42	.39	.36	.29	.27	.25	.17	.16	.15	.07	.06	.06	.01			.01
3	.49	.43	.38	.35	.42	.37	.33	.30	.26	.23	.21	.15	.14	.13	.06	.05	.05	.01			.01
4	.44	.38	.33	.29	.38	.33	.28	.25	.23	.20	.18	.14	.12	.11	.05	.05	.04	.01			.01
5	.41	.33	.28	.24	.35	.29	.25	.21	.20	.17	.15	.12	.10	.09	.04	.04	.04	.01			.01
6	.37	.30	.25	.21	.32	.26	.21	.18	.18	.15	.13	.11	.09	.08	.04	.03	.03	.00			.00
7	.34	.26	.21	.18	.29	.23	.19	.16	.16	.13	.11	.10	.08	.07	.04	.03	.03	.00			.00
8	.31	.24	.19	.16	.27	.21	.16	.14	.14	.12	.10	.09	.07	.06	.03	.03	.02	.00			.00
9	.29	.21	.17	.14	.25	.19	.15	.12	.13	.10	.09	.08	.06	.05	.03	.02	.02	.00			.00
10	.27	.19	.15	.12	.23	.17	.13	.10	.12	.09	.07	.07	.06	.05	.03	.02	.02	.00			.00

Floor Cavity Reflectance .20

ZONE	LUMENS	% LAMP	% LUMINAIRE
180-90°	3269	65.40	96.60
90-0°	115	2.30	3.40
180-0°	3384	67.70	100.00

ANGLE	0°	45°	90°	135°	180°
45°	2	6	46	88	112
55°	0	3	44	94	123
65°	0	0	51	94	130
75°	3	3	69	94	133
85°	0	0	164	86	309

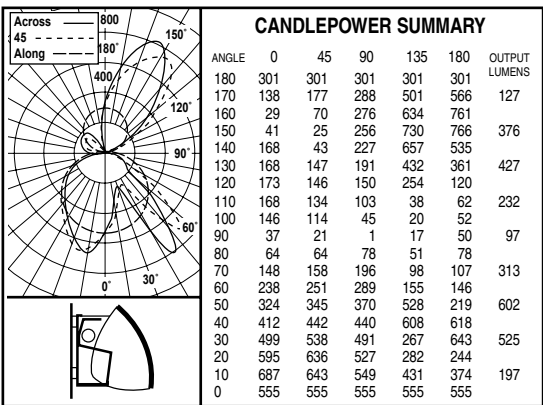


RCC	80				70				50				30				10				0
RW	70	50	30	10	70	50	30	10	50	30	10	50	30	10	50	30	10	50	30	10	0
RCR																					0
0	.61	.61	.61	.61	.54	.54	.54	.54	.42	.42	.42	.31	.31	.31	.21	.21	.21	.16			.16
1	.55	.53	.50	.48	.49	.47	.45	.43	.36	.35	.34	.27	.26	.25	.18	.17	.17	.13			.13
2	.50	.46	.42	.39	.44	.41	.38	.35	.32	.29	.28	.23	.22	.21	.15	.15	.14	.10			.10
3	.46	.40	.36	.32	.40	.36	.32	.29	.28	.25	.23	.20	.19	.17	.14	.13	.12	.09			.09
4	.41	.35	.30	.27	.37	.31	.27	.24	.22	.22	.19	.18	.16	.15	.12	.11	.10	.07			.07
5	.38	.31	.26	.23	.34	.28	.24	.20	.22	.19	.16	.16	.14	.12	.10	.09	.08	.06			.06
6	.35	.27	.23	.19	.31	.25	.20	.17	.19	.16	.14	.14	.12	.10	.09	.08	.07	.05			.05
7	.32	.24	.20	.17	.28	.22	.18	.15	.17	.14	.12	.13	.10	.09	.08	.07	.06	.04			.04
8	.29	.22	.17	.14	.26	.20	.16	.13	.15	.12	.10	.11	.09	.08	.07	.06	.05	.03			.03
9	.27	.20	.15	.12	.24	.18	.14	.11	.14	.11	.09	.10	.08	.06	.07	.05	.04	.03			.03
10	.25	.18	.13	.11	.22	.16	.12	.10	.12	.10	.08	.09	.07	.06	.06	.05	.04	.02			.02

Floor Cavity Reflectance .20

ZONE	LUMENS	% LAMP	% LUMINAIRE
180-90°	2207	44.15	73.68
90-0°	788	15.77	26.32
180-0°	2996	59.92	100.00

ANGLE	0°	45°	90°	135°	180°
45°	724	935	249	435	326
55°	549	718	252	318	253
65°	335	520	297	215	188
75°	264	333	340	109	149
85°	176	181	577	95	161

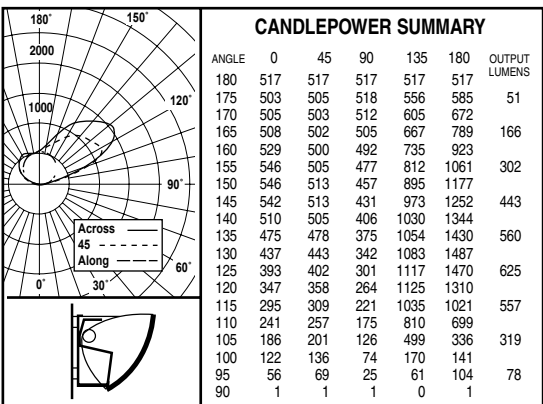


RCC	80				70				50				30				10				0
RW	70	50	30	10	70	50	30	10	50	30	10	50	30	10	50	30	10	50	30	10	0
RCR																					0
0	.63	.63	.63	.63	.59	.59	.59	.59	.51	.51	.51	.43	.43	.43	.37	.37	.37	.33			.33
1	.58	.55	.53	.51	.54	.52	.50	.48	.45	.43	.42	.38	.37	.36	.33	.32	.31	.28			.28
2	.53	.48	.45	.42	.49	.45	.42	.39	.39	.37	.35	.34	.32	.31	.29	.28	.26	.24			.24
3	.48	.43	.38	.35	.45	.40	.36	.33	.35	.32	.30	.30	.28	.26	.26	.24	.23	.21			.21
4	.44	.38	.33	.30	.41	.35	.31	.28	.31	.28	.25	.27	.24	.22	.23	.21	.20	.18			.18
5	.40	.33	.28	.25	.37	.31	.27	.24	.27	.24	.21	.24	.21	.19	.20	.18	.17	.15			.15
6	.37	.30	.25	.22	.34	.28	.24	.20	.24	.21	.18	.21	.18	.16	.18	.16	.14	.13			.13
7	.34	.27	.22	.19	.31	.25	.21	.18	.22	.18	.16	.19	.16	.14	.16	.14	.12	.11			.11
8	.31	.24	.19	.16	.29	.22	.18	.15	.20	.16	.14	.17	.14	.12	.15	.12	.11	.09			.09
9	.29	.21	.17	.14	.27	.20	.16	.13	.18	.14	.12	.15	.13	.11	.13	.11	.09	.08			.08
10	.27	.19	.15	.12	.25	.18	.14	.11	.16	.13	.10	.14	.11	.09	.12	.10	.08	.07			.07

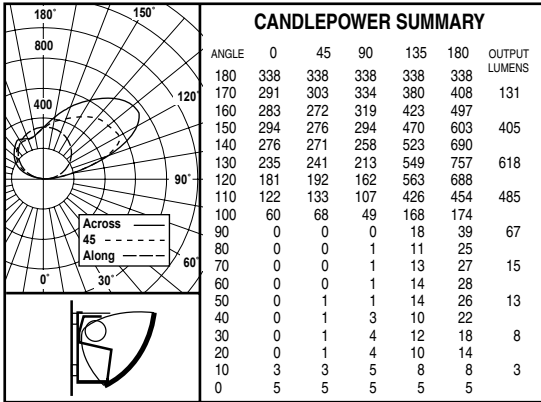
Floor Cavity Reflectance .20

ZONE	LUMENS	% LAMP	% LUMINAIRE
180-90°	1212	24.25	41.99
90-0°	1674	33.50	58.01
180-0°	2887	57.75	100.00

ANGLE	0°	45°	90°	135°	180°
45°	919	1182	2423	2142	1145
55°	693	915	2403	1150	415
65°	485	656	2428	391	318
75°	268	382	2250	226	244
85°	146	130	769	118	134



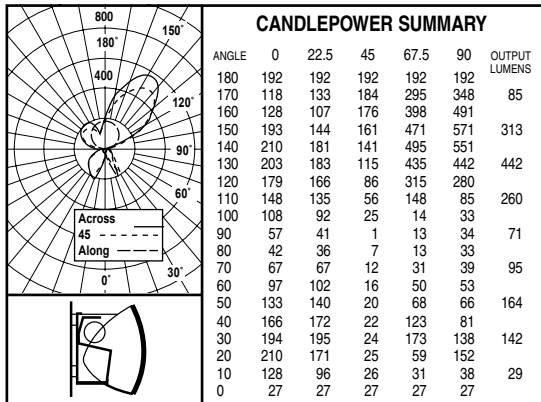
Photometric data T8 lamps



W-AI-3414T8-PFF-LP/ELB 59.8 % Efficiency																								
Litecontrol Certified Test Report #28011000																								
RCC	80				70				50				30				10				0			
RW	70	50	30	10	70	50	30	10	50	30	10	50	30	10	50	30	10	50	30	10	50	30	10	
RCR	0	.57	.57	.57	.57	.49	.49	.49	.49	.34	.34	.34	.20	.20	.20	.07	.07	.07	.07	.07	.07	.01	.01	.01
1	.52	.50	.47	.46	.45	.43	.41	.39	.38	.30	.29	.28	.18	.17	.16	.06	.06	.06	.06	.06	.06	.01	.01	.01
2	.47	.43	.40	.37	.40	.37	.34	.32	.32	.26	.24	.23	.15	.14	.14	.06	.05	.05	.06	.05	.05	.01	.01	.01
3	.43	.38	.34	.31	.37	.33	.29	.27	.27	.23	.21	.19	.13	.12	.11	.05	.05	.04	.05	.04	.04	.01	.01	.01
4	.39	.33	.29	.26	.34	.29	.25	.22	.22	.20	.18	.16	.12	.11	.10	.04	.04	.04	.04	.04	.04	.01	.01	.01
5	.36	.29	.25	.22	.31	.25	.22	.19	.18	.18	.15	.14	.11	.09	.08	.04	.03	.03	.04	.03	.03	.00	.00	.00
6	.33	.26	.22	.19	.28	.23	.19	.16	.16	.13	.12	.12	.09	.08	.07	.03	.03	.03	.03	.03	.03	.00	.00	.00
7	.30	.23	.19	.16	.26	.20	.17	.14	.14	.12	.10	.10	.08	.07	.06	.03	.03	.02	.03	.02	.02	.00	.00	.00
8	.28	.21	.17	.14	.24	.18	.15	.12	.13	.10	.09	.09	.08	.06	.05	.03	.02	.02	.03	.02	.02	.00	.00	.00
9	.26	.19	.15	.12	.22	.16	.13	.11	.11	.09	.08	.08	.07	.06	.05	.03	.02	.02	.03	.02	.02	.00	.00	.00
10	.24	.17	.13	.11	.20	.15	.12	.09	.11	.08	.07	.07	.06	.05	.04	.02	.02	.01	.02	.02	.01	.00	.00	.00
Floor Cavity Reflectance .20																								

ZONAL LUMEN SUMMARY			
ZONE	LUMENS	% LAMP	% LUMINAIRE
180-90°	1693	58.40	97.61
90-0°	41	1.43	2.39
180-0°	1735	59.83	100.00

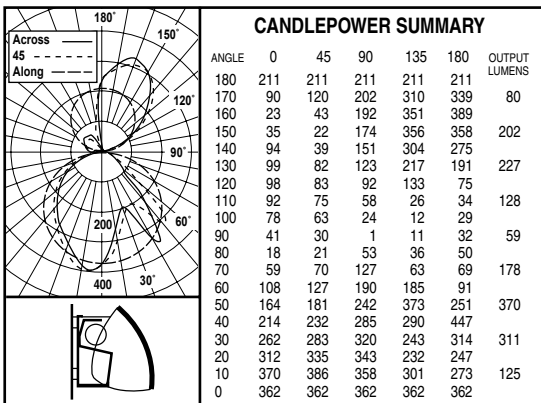
LUMINANCE SUMMARY (FL)					
ANGLE	0'	45'	90'	135'	180'
45°	2	3	5	28	56
55°	2	0	6	40	63
65°	2	3	0	43	65
75°	0	3	14	40	64
85°	0	4	0	35	68



W-AID-3414T8-PFF-LP/ELB 54.9 % Efficiency																								
Litecontrol Certified Test Report #2811000																								
RCC	80				70				50				30				10				0			
RW	70	50	30	10	70	50	30	10	50	30	10	50	30	10	50	30	10	50	30	10	50	30	10	
RCR	0	.56	.56	.56	.56	.50	.50	.50	.50	.39	.39	.39	.29	.29	.29	.20	.20	.20	.16	.16	.16	.13	.13	.13
1	.51	.49	.46	.44	.45	.43	.42	.40	.34	.33	.32	.32	.25	.25	.24	.17	.17	.16	.17	.17	.16	.13	.13	.13
2	.46	.42	.39	.36	.41	.38	.35	.33	.30	.28	.26	.26	.22	.21	.20	.15	.14	.14	.15	.14	.14	.11	.11	.11
3	.42	.37	.33	.30	.38	.33	.30	.27	.26	.24	.22	.22	.19	.18	.17	.13	.12	.12	.13	.12	.12	.09	.09	.09
4	.38	.33	.28	.25	.34	.29	.26	.23	.23	.20	.18	.18	.17	.15	.14	.12	.11	.11	.12	.11	.11	.07	.07	.07
5	.35	.28	.24	.21	.31	.26	.22	.19	.20	.18	.15	.15	.15	.13	.12	.10	.09	.08	.10	.09	.08	.06	.06	.06
6	.32	.26	.21	.18	.29	.23	.19	.16	.18	.15	.13	.13	.14	.12	.10	.09	.08	.07	.09	.08	.07	.05	.05	.05
7	.29	.23	.18	.15	.26	.20	.17	.14	.16	.13	.11	.11	.12	.10	.09	.08	.07	.06	.08	.07	.06	.04	.04	.04
8	.27	.20	.16	.13	.24	.18	.15	.12	.14	.12	.10	.10	.11	.09	.07	.07	.06	.05	.07	.06	.05	.04	.04	.04
9	.25	.18	.14	.11	.22	.16	.13	.10	.13	.10	.08	.08	.10	.08	.06	.07	.05	.04	.07	.05	.04	.03	.03	.03
10	.23	.17	.13	.10	.21	.15	.11	.09	.12	.09	.07	.07	.09	.07	.06	.06	.05	.04	.06	.05	.04	.03	.03	.03
Floor Cavity Reflectance .20																								

ZONAL LUMEN SUMMARY			
ZONE	LUMENS	% LAMP	% LUMINAIRE
180-90°	1140	39.33	71.58
90-0°	452	15.61	28.42
180-0°	1593	54.95	100.00

LUMINANCE SUMMARY (FL)					
ANGLE	0'	45'	90'	135'	180'
45°	385	506	187	251	189
55°	279	381	186	184	135
65°	192	258	193	125	108
75°	125	160	218	58	78
85°	122	113	216	38	83



W-ASD-3414T8-PFF-LP/ELB 57.6 % Efficiency																								
Litecontrol Certified Test Report #2821000																								
RCC	80				70				50				30				10				0			
RW	70	50	30	10	70	50	30	10	50	30	10	50	30	10	50	30	10	50	30	10	50	30	10	
RCR	0	.63	.63	.63	.63	.59	.59	.59	.59	.51	.51	.51	.44	.44	.44	.38	.38	.38	.35	.35	.35	.30	.30	.30
1	.58	.55	.53	.51	.54	.52	.50	.48	.45	.44	.43	.43	.39	.38	.37	.34	.33	.32	.30	.29	.27	.25	.25	.25
2	.48	.43	.39	.35	.45	.40	.37	.34	.35	.32	.30	.30	.31	.29	.27	.27	.25	.24	.21	.21	.21	.21	.21	.21
3	.44	.38	.33	.30	.41	.36	.32	.28	.31	.28	.26	.26	.27	.25	.23	.24	.22	.20	.18	.18	.18	.16	.16	.16
4	.40	.33	.29	.25	.38	.32	.27	.24	.28	.24	.22	.22	.24	.22	.20	.21	.19	.17	.16	.16	.16	.13	.13	.13
5	.37	.30	.25	.22	.34	.28	.24	.21	.25	.21	.19	.19	.22	.19	.17	.19	.17	.15	.13	.13	.13	.10	.10	.10
6	.34	.27	.22	.19	.32	.25	.21	.18	.22	.19	.16	.16	.20	.17	.15	.17	.15	.13	.12	.12	.12	.08	.08	.08
7	.31	.24	.19	.16	.29	.23	.18	.15	.20	.17	.14	.14	.18	.15	.13	.15	.13	.11	.10	.10	.10	.08	.08	.08
8	.29	.22	.17	.14	.27	.20	.16	.13	.18	.15	.12	.12												