

INSTALLATION INSTRUCTIONS

FIXTURE TYPE _____

SC/P6 STEM ASSEMBLY P-D-0500

P/C 510446-0000

DATE: 02-18-03

PG. 1 OF 1

DO NOT MODIFY OR ALTER THIS PRODUCT IN ANY WAY, OR INSTALL IN ANY FASHION WHICH IS CONTRARY TO THE INSTRUCTIONS CONTAINED HEREIN. IF YOU HAVE ANY QUESTIONS REGARDING THIS PRODUCT OR THE INSTALLATION OF IT, PLEASE CALL LITECONTROL ENGINEERING AT 781-294-0100.

GENERAL NOTES:

1. The SC/P6 stem assemblies are made to install directly into a 3-1/2" octagonal outlet box, or a 2-1/8" x 4" handybox or a 2" x 3" switchbox box and plaster ring with 2-3/4" mounting holes, or a 2" diameter by 1/2" deep clearance hole in ceiling. Outlet box is supplied by contractor. Outlet boxes must be mounted flush to ceiling. Refer to fixture instruction sheets for locations of stems.

WARNING: The National Electric Code requires that any fixture weighing more than (50) pounds be independently supported of an outlet box.

2. Fixtures in rows must be supported by a minimum of one stem (or cable) at the junction of each two fixtures plus one at each end of the row. This is considered by "Underwriters Laboratories" as equivalent to two stems (or cables) per fixture.
3. These fixture supports are to be used only in conjunction with LITECONTROL products for which they were furnished. DO NOT use them for support of any other items or in any fashion which is contrary to this instruction sheet.

INSTALLATION OF SC/P6 ASSEMBLIES TO CEILING:

(Refer to view "A")

1. Electrical Feed Cord is bulk packaged and shipped separately. Cut off enough cord to run from outlet box to inside of fixture and add 12". Make wiring connections in outlet box and let cord hang down.
2. Retrieve swivel ball from polybag kit and slide it onto stem until ball seats over coupled end of stem.
3. Insert stem thru hole in canopy support strap. Lift stem and support strap to ceiling (while running feed cord thru stem), attach to outlet box with outlet box screws and washers (by contractor). Slide on a Thread Cover and attach a locknut to bottom of stem.
4. For coupled stem assemblies, slide swivel ball on, per step above and thread the two stems together with the NPSC coupling making sure that the 1-1/2" threaded portion of stem is at the bottom. See View "B".

INSTALLATION OF STEMS TO FIXTURES.

1. Refer to instructions packaged with fixture to prepare it for hanging.

A) INDIVIDUALLY MOUNTED FIXTURES:

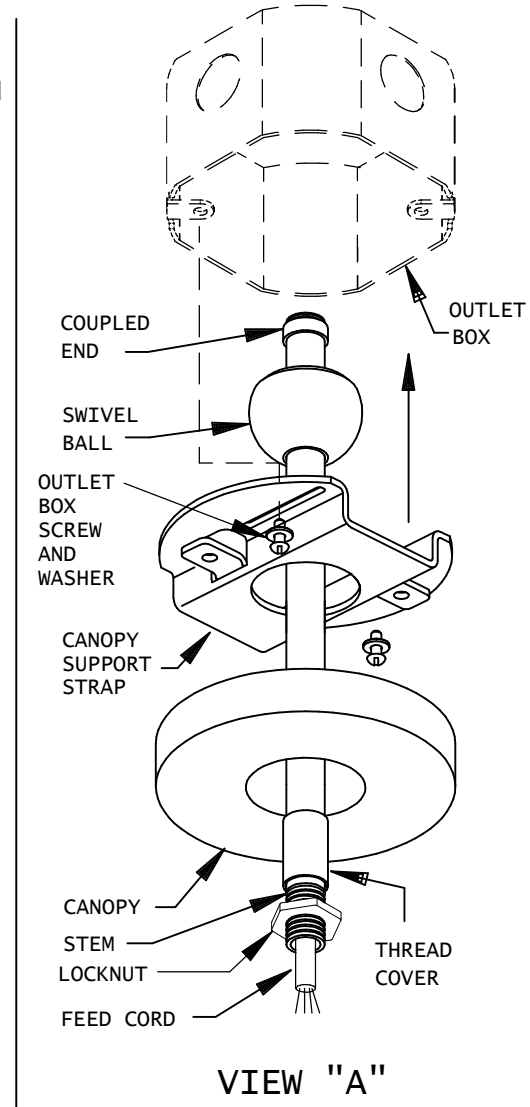
Remove the 7/8" knockouts at both ends of fixture. Slide Pendant strap into both ends of fixture as shown in View "C" and attach to underside of housing with one # 8-32 hex head machine screw.

- B) ROW OF FIXTURES:** A Pendant strap is attached to the fixture at the end of the row (where an End Cap is located) per step A above. At row joint end of this fixture, another Pendant strap is attached with (1) #8-32 hex head screw and positioned so that half of it extends out from the end. Abutting fixture is slid onto this strap and secured with another #8-32 screw. See View "D".
- Note: Remove the 7/8" knockouts in fixtures at Stem locations only. Repeat this step for each additional fixture in row.

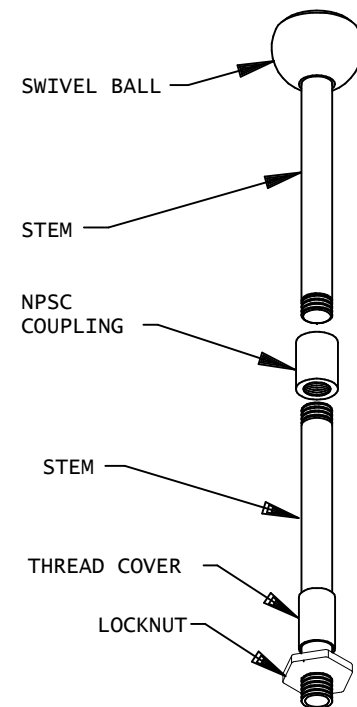
2. Lift fixture up and thread stems into pendant straps.
3. Approximately 1" of vertical adjustment is available for leveling fixtures, by threading stem up or down in straps. Tighten bottom locknuts after leveling fixtures and slide Thread Covers down against locknut.

CANOPY INSTALLATION: (Refer to view "A")

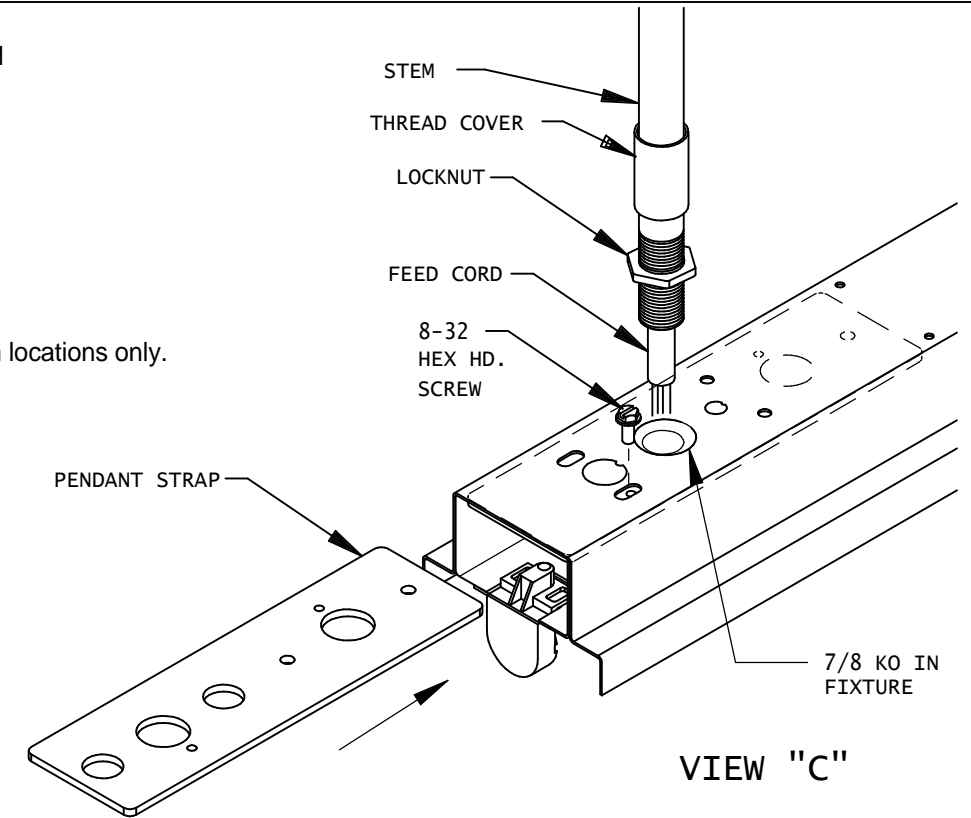
1. Canopies are installed after wiring in outlet boxes has been completed.
2. Align the plastic christmas tree clips in canopy with the holes in the support strap and push canopy up until clips engage and canopy is flush against the ceiling.



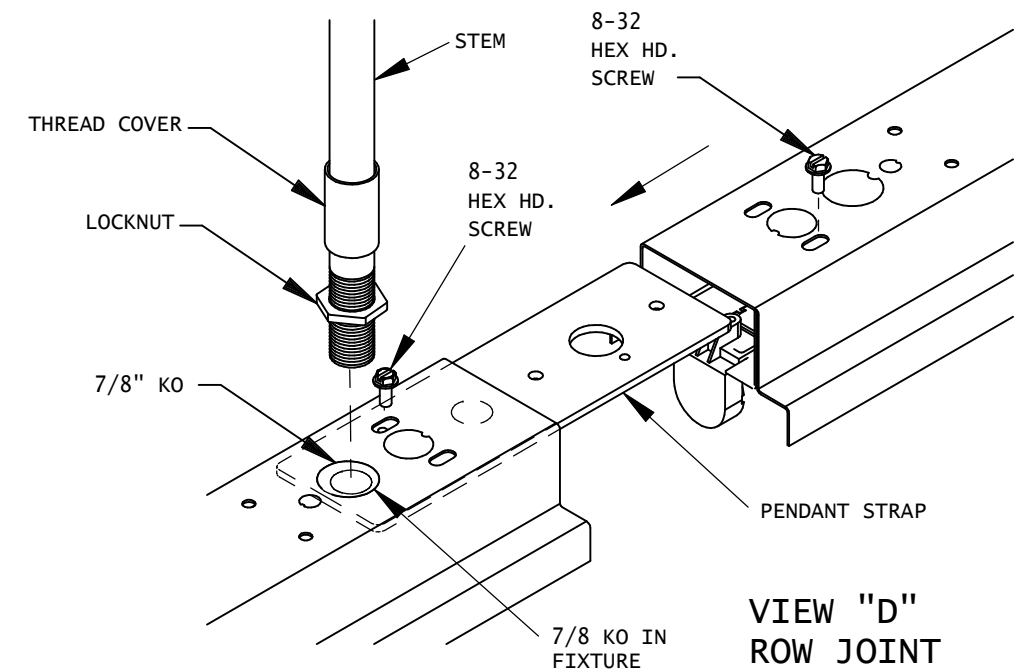
VIEW "A"



VIEW "B"



VIEW "C"



VIEW "D" ROW JOINT