

Wall/Slot® 2100

2100
Recessed Perimeter

Product Description

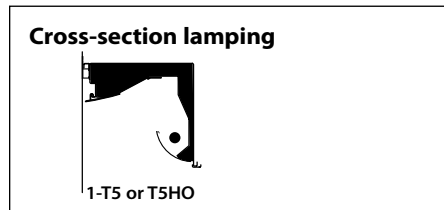
Recessed perimeter fixture that conceals the lamp from view and creates a "floating ceiling" effect at the junction of the ceiling and wall. Die-formed and welded steel housing with a high-reflectance aluminum reflector. Extruded aluminum wall rail for continuous support and alignment of fixtures. UL Listed. This fixture is Cradle to Cradle Certified^{CM} Silver by MBDC.

Ordering Guide

Product, Lamping, & Length			
21	1	4	T5HO -
Series	Lamp Count	Nominal Length (ft)	Lamp Type
21	1 →	2, 3, 4	T5HO
	2 →	6, 8	T5
	see notes	see Planning for Installation for actual lengths	

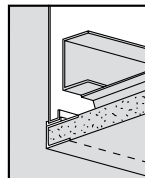
Options				
CWM -	LP/ELB -	G -	F -	120
Finish	Ballast	Ceiling Type	Other Options	Volts
CWM (matte white) is standard	LP/ELB is standard for T5 or T5HO DA/MK7 DO/HEL DL/ECO see Ballast Options	DP G see Ceiling Type	LP/EF F SSR see Other Options	120 277
notes: Lamp Count = total number of lamps in the fixture For Ordering Guide information in shaded areas, choose selection by reading ACROSS the shaded areas for correct specifications.				

2114T5HO-CWM-LP/ELB-G-F-120 is a typical catalog number for a 1-lamp (1 lamp in cross-section), 4-foot long high output T5 fixture with matte white finish, electronic ballast, for a lay-in grid ceiling, fuse, 120 volts.

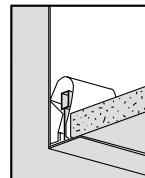


Ceiling Type

Specify the applicable ceiling trim.



DP Drywall/Plaster



G Lay-in

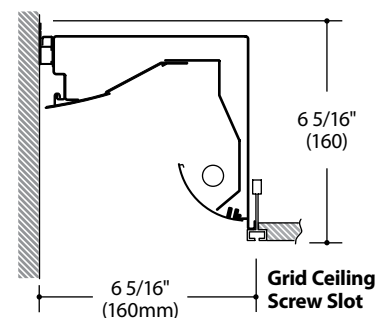
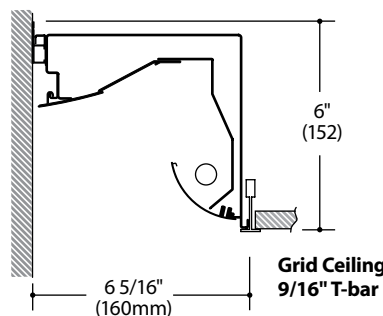
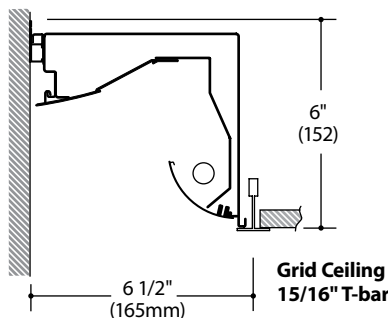
Ballast Options

Specify in place of LP/ELB, contact factory for availability:

- DA/MK7** Advance Mark VII Dimming Ballast.
- DO/HEL** Osram Sylvania Helios Dimming Ballast.
- DL/ECO** Lutron ECO-10 Dimming Ballast.

Other Options

- LP/EF** Low-profile Emergency Fluorescent Ballast. Battery-powered ballast from a UL Listed manufacturer will operate one lamp for 1 1/2 hours.
- F** Fuse installed. Slow or fast blow, determined by Litecontrol.
- SSR** Semi-specular reflector option to increase efficiency and boost peak intensity further down the wall. 1-3/4" wide x 4' long section of semi-specular aluminum inserted into channel on ballast cover.



Questions to Ask

1. Row information, including desired fixture lengths?
2. Lamp type? 3. Ballast options? 4. Other options? 5. 120 or 277 volt?

Click on
Quick Find 21

litecontrol.com

Specifications

FIXTURE SUPPORT RAIL. Extruded white aluminum, wall-mounted rail provides continuous support and true alignment of fixtures and components. Rail is designed to provide a reveal at the wall to compensate for irregularities in wall construction. Splines are included for continuous alignment.

FIXTURE HOUSING. Die-formed and welded steel. Support chain attachment locations are spaced approximately every two feet for 2, 4, and 8-foot fixtures, and 1 1/2 feet for 3-foot and 6-foot fixtures. Fixture has a continuous hook-and-lock feature for quick installation.

REFLECTOR. Reflector is die-formed high reflectance aluminum, precisely shaped for maximum downward light projection.

BALLAST COVER. Hinged ballast cover is finished in high-reflectance white for uniform light distribution. Ballast is accessed via two quarter-turn fasteners.

LUMINANCE CONTROL DEFLECTOR. Shields lamps from direct view and minimizes socket shadows on wall. Paint finish is Matte White (CWM) baked enamel. Shield is removable without tools and remains attached to the fixture with cable tethers.

LAMPING. Available in one-lamp T5 or T5HO.

BALLAST. Low-profile Electronic Ballast (LP/ELB - for T5 or T5HO lamping), high power factor, thermally protected Class P, Sound Rated A, manufactured by a UL Listed manufacturer, as available, determined by Litecontrol. Ballasts with a voltage range of 120 to 277 will be used when fixture configuration and ballast availability allow. The minimum number of ballasts will be used.

BALLAST DISCONNECT. Fixture supplied with a ballast disconnect device to enable compliance with the NEC.

CEILING TYPE. Compatible with most types of ceiling systems, including grid and plaster. Fixture system must be installed prior to installation of ceiling. Finish of wall should extend 6" above finished ceiling height.

CERTIFICATION. Fixture and electrical components are UL and/or CUL Listed (UL LISTED) and bear the I.B.E.W., A.F. of L. label. This fixture is Cradle to Cradle Certified^{CM} Silver by MBDC. Note: Litecontrol reserves the right to change specifications without notice for product development and improvement.

Lamp and Ballast Access



Complete fixture

Lamp chamber opened

Ballast cover opened

Planning for Installation

Actual fixture lengths are sized to match T5 lamp lengths. See table below to determine total fixture and row lengths.

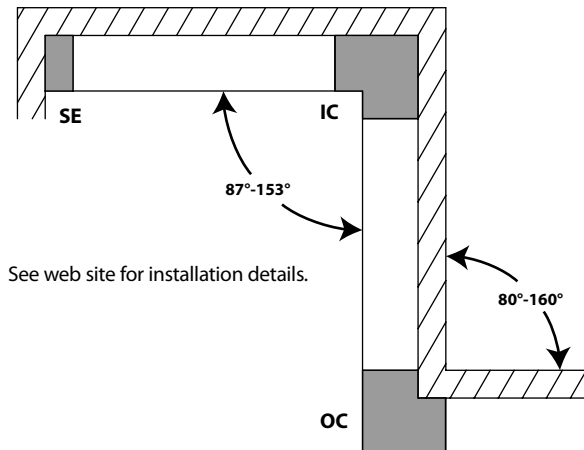
Nominal Fixture Length	2'	3'	4'	6'	8'
Actual Fixture Length	22 1/2"	34 5/16"	46 1/8"	68 5/8"	92 1/4"

System Connectors

Catalog Number			
Series	Connector	Finish	Description (Minimum-Maximum along wall in parenthesis)
2100	EC	CWM	End Cap
2100	SE	CWM	Straight Extension (0"-14")
2100	IC	CWM	Inside Corner - 90° (8"-20"), 135° (5"-16")
2100	OC	CWM	Outside Corner -90° (1"-14"), 135° (1"-17")

2100-OC-CWM is a typical catalog number for an outside corner connector. Corners, extensions, and end caps, when added to fixtures, permit continuous wall-to-wall installation. Connectors telescope off fixture housing, so field cutting is not required for the corner length. Corner angles are adjustable, see plan view for angles. Finish: CWM (Matte White)

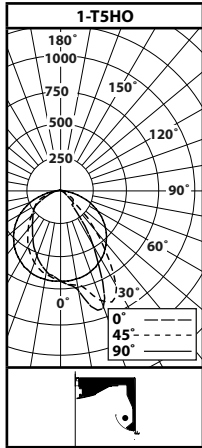
NOTE: Lamp shield and ballast cover do not extend through system connectors.



LITECONTROL

100 Hawks Avenue Hanson, MA 02341
781 294 0100 f: 781 293 2849 litecontrol.com





CANDLEPOWER SUMMARY					
ANGLE	0	45	90	135	180
90	1	2	1	0	2
85	5	5	15	14	10
80	12	8	65	36	32
75	12	12	137	66	55
70	16	23	211	117	84
65	24	41	276	176	128
60	36	73	339	212	187
55	56	120	397	242	235
50	93	130	450	278	265
45	142	292	498	326	291
40	141	459	540	373	322
35	328	656	578	427	364
30	525	850	609	481	413
25	764	928	637	530	467
20	948	881	657	576	520
15	905	778	672	612	570
10	756	726	680	641	615
5	714	713	686	662	646
0	683	683	683	683	683

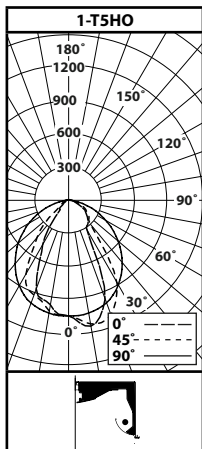
2114T5HO 34.9% Efficiency Input Watts = 56W																														
RCC	80					70					50					30					10					0				
RW	70	50	30	10	0	70	50	30	10	0	50	30	10	0	0	50	30	10	0	0	50	30	10	0	0					
RCR																														
0	41	41	41	41	41	41	41	41	41	41	39	39	39	37	37	37	36	36	36	35										
1	38	37	36	35	38	36	35	34	35	34	33	33	33	32	32	32	31	31	31	30										
2	35	33	31	29	35	32	30	29	31	29	28	30	29	27	29	28	27	26	26	26										
3	33	29	27	25	32	29	27	25	28	26	24	27	25	24	26	25	23	23	23	23										
4	30	26	24	22	29	26	23	21	25	23	21	24	22	21	24	22	21	20	20	20										
5	28	24	21	19	27	23	21	19	23	20	19	22	20	18	21	20	18	18	18	18										
6	26	22	19	17	25	21	19	17	21	18	17	20	18	16	20	18	16	16	16	16										
7	24	20	17	15	24	20	17	15	19	17	15	19	16	15	18	16	15	14	14	14										
8	23	18	15	14	22	18	15	13	18	15	13	17	15	13	17	15	13	13	13	13										
9	21	17	14	12	21	17	14	12	16	14	12	16	14	12	15	14	12	11	11	11										
10	20	16	13	11	19	15	13	11	15	13	11	15	13	11	14	12	11	10	10	10										

Floor Cavity Reflectance .20

ZONAL LUMEN SUMMARY			
ZONE	LUMENS	% LAMP	% LUMINAIRE
180-90°	0	0	0
90-0°	1568	35	100
180-0°	1568	35	100

LUMINANCE SUMMARY (cd/m²)			
ANGLE	0°	45°	90°
45°	1080	2220	3787
55°	525	1125	3722
65°	305	522	3512
75°	249	249	2846
85°	308	308	925

Litecontrol Test Report # 71116000



CANDLEPOWER SUMMARY					
ANGLE	0	45	90	135	180
90	2	0	2	2	2
85	9	13	15	3	7
80	24	33	53	7	7
75	44	58	129	11	11
70	68	100	219	22	14
65	98	143	311	42	20
60	146	177	402	72	31
55	188	207	495	101	49
50	216	238	587	145	73
45	242	256	670	323	115
40	274	338	751	439	116
35	287	601	826	579	311
30	348	872	891	770	469
25	650	1005	947	882	626
20	956	1106	989	913	853
15	1092	1145	1017	943	922
10	1154	1135	1035	1013	958
5	1109	1081	1045	1043	1035
0	1045	1045	1045	1045	1045

2114T5HO-SSR 40.5% Efficiency Input Watts = 57W																														
RCC	80					70					50					30					10					0				
RW	70	50	30	10	0	70	50	30	10	0	50	30	10	0	0	50	30	10	0	0	50	30	10	0	0					
RCR																														
0	48	48	48	48	47	47	47	47	45	45	45	43	43	43	41	41	41	41	41	41										
1	45	43	42	41	44	43	41	40	41	40	39	39	39	38	38	37	37	36	36	36										
2	42	39	37	35	41	38	36	34	37	35	34	36	34	33	34	33	32	31	31	31										
3	39	35	32	30	38	35	32	30	33	31	29	32	31	29	31	30	29	28	28	28										
4	36	32	29	27	35	31	29	26	30	28	26	30	27	26	29	27	25	25	25	25										
5	34	29	26	24	33	29	26	23	28	25	23	27	25	23	26	24	23	22	22	22										
6	31	27	23	21	31	26	23	21	26	23	21	25	23	21	24	22	21	20	20	20										
7	29	24	21	19	29	24	21	19	24	21	19	23	21	19	23	20	19	18	18	18										
8	27	23	20	17	27	22	19	17	22	19	17	21	19	17	21	19	17	16	16	16										
9	26	21	18	16	25	21	18	16	20	18	16	20	18	16	20	17	16	15	15	15										
10	24	20	17	15	24	19	17	15	19	16	15	19	16	15	18	16	15	14	14	14										

Floor Cavity Reflectance .20

ZONAL LUMEN SUMMARY			
ZONE	LUMENS	% LAMP	% LUMINAIRE
180-90°	0	0	0
90-0°	1825	41	100
180-0°	1825	41	100

LUMINANCE SUMMARY (cd/m²)			
ANGLE	0°	45°	90°
45°	874	2456	5095
55°	459	947	4640
65°	254	534	3957
75°	229	229	2680
85°	432	185	925

Litecontrol Test Report # 71116000